

## Directional valves ▶ Electrically operated

### 5/2-directional valve, Series TC15

- ▶ Qn = 1500 l/min ▶ Pilot valve width: 15 mm ▶ pipe connection ▶ Compressed air connection output: G 1/4
- ▶ Electr. connection: Plug, ISO 15217, form C ▶ Manual override: with detent ▶ single solenoid, double solenoid



00137795

Version	Spool valve, zero overlap
Sealing principle	Soft sealing
Mounting on manifold strip	P-strip
Working pressure min./max.	See table below
Control pressure min./max.	See table below
Ambient temperature min./max.	-10 °C / +50 °C
Medium temperature min./max.	-10 °C / +50 °C
Medium	Compressed air
Max. particle size	5 µm
Oil content of compressed air	0 mg/m³ - 5 mg/m³
Nominal flow Qn	1500 l/min
Connector standard	ISO 15217
Protection class with connection	IP65
Duty cycle	100 %
Generic emission standard in accordance with	EN 50081:1992
Mounting screw tightening torque	2.5 Nm
Weight	See table below
Materials:	
Housing	Polyamide, fiber-glass reinforced
Seals	Acrylonitrile Butadiene Rubber; Hydrogenated nitrile butadiene rubber
Front plate	Polyamide, fiber-glass reinforced

Technical Remarks	
■	The min. control pressure must be adhered to, since otherwise faulty switching and valve failure may result!
■	The pressure dew point must be at least 15 °C under ambient and medium temperature and may not exceed 3 °C.
■	The oil content of compressed air must remain constant during the life cycle.
■	Use only the approved oils from AVENTICS, see chapter „Technical information“.

Operational voltage	Voltage tolerance	Power consumption
DC	DC	DC
		W
24 V	-10% / +10%	2

	MO	Compressed air connection				Operational voltage	Power consumption	Flow conductance	Part No.
		Input	Output	Exhaust	Pilot connection				
						DC	DC	b	
							[W]		
		G 1/4	G 1/4	G 1/4	-	24 V	2	0.33	<b>0820058001</b>
		G 1/4	G 1/4	G 1/4	M5	24 V	2	0.33	<b>0820058051</b>
		G 1/4	G 1/4	G 1/4	-	24 V	2	0.33	<b>0820058026</b> <b>R422103063</b>

**Directional valves ▶ Electrically operated**
**5/2-directional valve, Series TC15**

- ▶ Qn = 1500 l/min ▶ Pilot valve width: 15 mm ▶ pipe connection ▶ Compressed air connection output: G 1/4  
 ▶ Electr. connection: Plug, ISO 15217, form C ▶ Manual override: with detent ▶ single solenoid, double solenoid

	MO	Compressed air connection				Operational voltage	Power consumption	Flow conductance	Part No.
		Input	Output	Exhaust	Pilot connection				
		G 1/4	G 1/4	G 1/4	M5	24 V -	2 -	0.33	<b>0820058076</b> R422103065
		G 1/4	G 1/4	G 1/4	-	24 V -	2 -	0.33	<b>0820058501</b> <b>R422103067</b>
		G 1/4	G 1/4	G 1/4	M5	24 V -	2 -	0.33	<b>0820058551</b> R422103069

Part No.	Flow conductance	Nominal resistance	Working pressure min./max.	Control pressure min./max.	Switch-on time	Switch-off time	Weight	Note
	C							
	[l/(s*bar)]	[Ω]	[bar]	[bar]	[ms]	[ms]	[kg]	
<b>0820058001</b>	6.8	280	2.5 / 10	2.5 / 10	21	22	0.235	1)
<b>0820058051</b>	6.8	280	-0.9 / 10	2.5 / 10	21	22	0.235	2)
<b>0820058026</b> <b>R422103063</b>	6.8	280 -	3 / 10	3 / 10	12	35	0.235	1) 1); 3)
<b>0820058076</b> R422103065	6.8	280 -	-0.9 / 10	3 / 10	12	35	0.235	2) 2); 3)
<b>0820058501</b> <b>R422103067</b>	6.8	280 -	2 / 10	2 / 10	10	10	0.263	1) 1); 3)
<b>0820058551</b> R422103069	6.8	280 -	-0.9 / 10	2 / 10	10	10	0.263	2) 2); 3)

MO = Manual override

1) Pilot: internal

2) Pilot: external

3) Basic valve without coil

push-in fitting: Brass, nickel-plated; Die cast zinc, chrome-plated

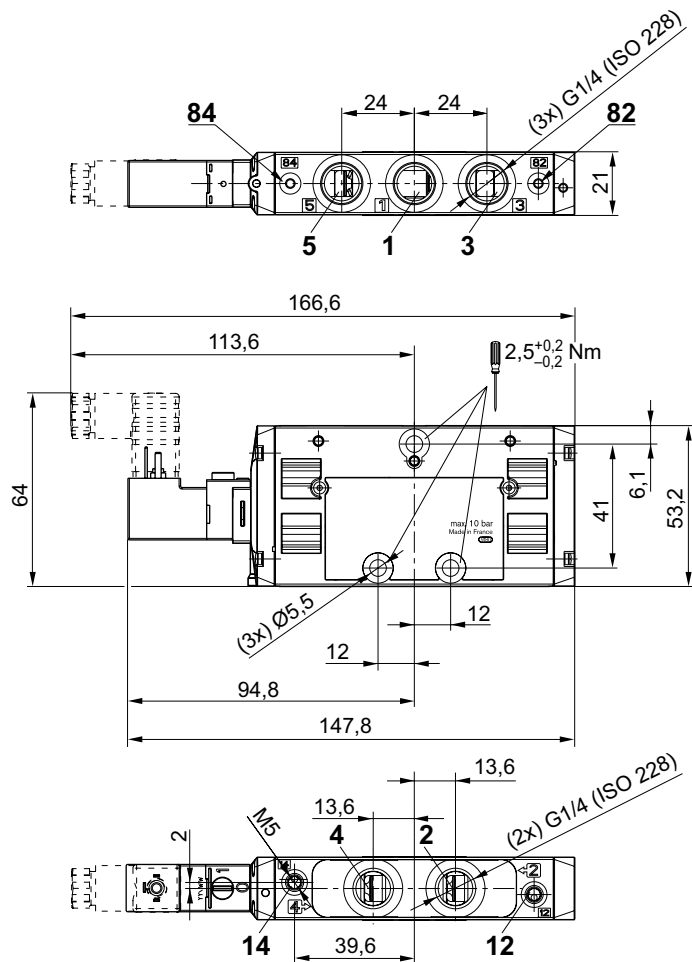
Nominal flow Qn at 6 bar and Δp = 1 bar

Directional valves ▶ Electrically operated

**5/2-directional valve, Series TC15**

- ▶ Qn = 1500 l/min ▶ Pilot valve width: 15 mm ▶ pipe connection ▶ Compressed air connection output: G 1/4
- ▶ Electr. connection: Plug, ISO 15217, form C ▶ Manual override: with detent ▶ single solenoid, double solenoid

Dimensions, single solenoid



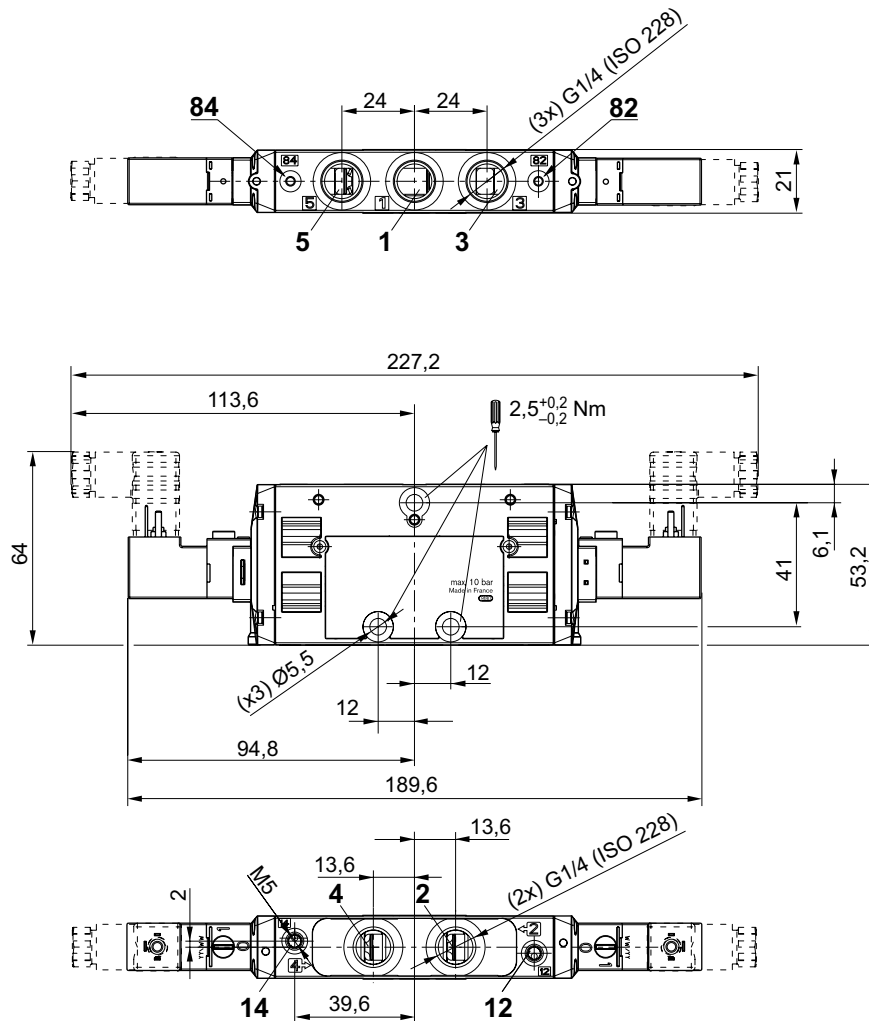
00111341\_a

## Directional valves ▶ Electrically operated

### 5/2-directional valve, Series TC15

- ▶  $Q_n = 1500$  l/min ▶ Pilot valve width: 15 mm ▶ pipe connection ▶ Compressed air connection output: G 1/4
- ▶ Electr. connection: Plug, ISO 15217, form C ▶ Manual override: with detent ▶ single solenoid, double solenoid

#### Dimensions, double solenoid



00111342\_a