

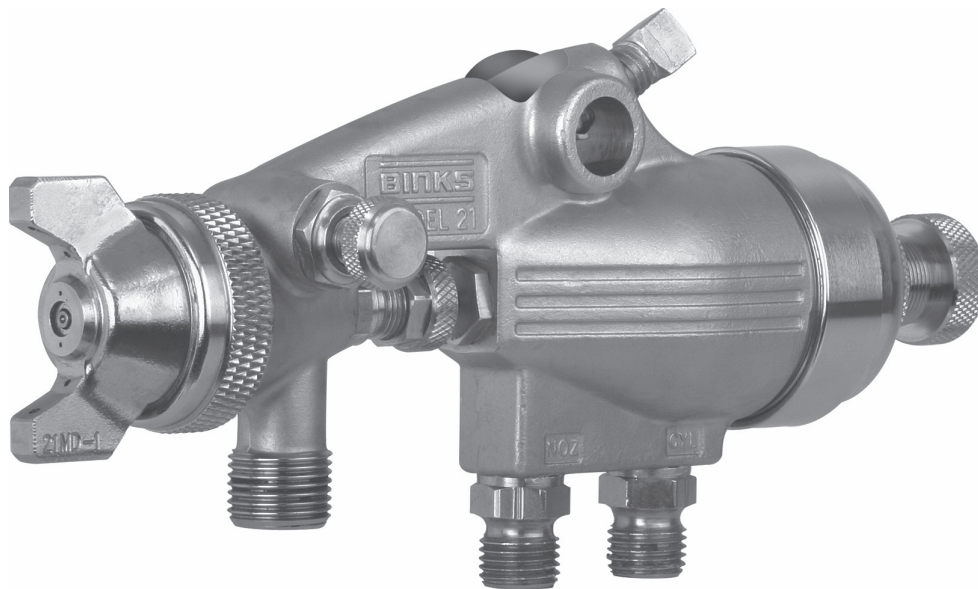
# BINKS MODEL 21, 21V, & 21M AUTOMATIC SPRAY GUN

(6220-XXXX-X)

(6235-XXXX-X)

(6219-XXXX-X)

## BRASS BODY

The following instructions provide the necessary information for the proper operation and preventive maintenance of the Binks Model 21 Automatic Spray Gun. Please read and understand all information in this document in order to get the maximum performance from your new Model 21 spray gun.

The Model 21 Series of spray guns are heavy duty, pneumatically operated, automatic spray guns with forged brass bodies.

All Model 21 spray guns feature nickel plated brass air caps and bodies that will withstand years of use under the toughest conditions. The Model 21V spray guns contain tungsten carbide fluid nozzles and needles for use with abrasive fluids. The Model 21M spray guns are internal mix spray guns used in line striping.

### PROP 65 WARNING

**WARNING:** This product contains chemicals known to the State of California to cause cancer and birth defects or other reproductive harm.

### SPECIFICATIONS:

Maximum Fluid Pressure:	100 psi/6.9 bar
Maximum Air Pressure:	100 psi/6.9 bar
Gun Body:	Plated Brass
Fluid Path:	Brass/Electroless Nickel Plated
Fluid Inlet Size:	3/8" NPS(m) Thread
Air Inlet Size:	1/4" NPS(m) Thread
Gun Weight:	41 oz./1213 g
Mounting Hole:	1/2"
Mounting Bracket:	54-380 (1/2" Bar)

## IMPORTANT! DO NOT DESTROY

**It is the customer's responsibility to have all operators and service personnel read and understand this manual.**

**Contact your local Binks representative for additional copies of this manual.**

**READ ALL INSTRUCTIONS BEFORE OPERATING THIS BINKS PRODUCT**

In this part sheet, the words **WARNING**, **CAUTION** and **NOTE** are used to emphasize important safety information as follows:

**⚠ WARNING**  
Hazards or unsafe practices which could result in severe personal injury, death or substantial property damage.

**⚠ CAUTION**  
Hazards or unsafe practices which could result in minor personal injury, product or property damage.

**NOTE**  
Important installation, operation or maintenance information.

## ⚠ WARNING

Read the following warnings before using this equipment.



### READ THE MANUAL

Before operating finishing equipment, read and understand all safety, operation and maintenance information provided in the operation manual.



### WEAR SAFETY GLASSES

Failure to wear safety glasses with side shields could result in serious eye injury or blindness.



### DE-ENERGIZE, DEPRESSURIZE, DISCONNECT AND LOCK OUT ALL POWER SOURCES DURING MAINTENANCE

Failure to De-energize, disconnect and lock out all power supplies before performing equipment maintenance could cause serious injury or death.



### OPERATOR TRAINING

All personnel must be trained before operating finishing equipment.



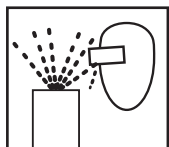
### EQUIPMENT MISUSE HAZARD

Equipment misuse can cause the equipment to rupture, malfunction, or start unexpectedly and result in serious injury.



### KEEP EQUIPMENT GUARDS IN PLACE

Do not operate the equipment if the safety devices have been removed.



### PROJECTILE HAZARD

You may be injured by venting liquids or gases that are released under pressure, or flying debris.



### PINCH POINT HAZARD

Moving parts can crush and cut. Pinch points are basically any areas where there are moving parts.



### AUTOMATIC EQUIPMENT

Automatic equipment may start suddenly without warning.



### INSPECT THE EQUIPMENT DAILY

Inspect the equipment for worn or broken parts on a daily basis. Do not operate the equipment if you are uncertain about its condition.



### NEVER MODIFY THE EQUIPMENT

Do not modify the equipment unless the manufacturer provides written approval.



### KNOW WHERE AND HOW TO SHUT OFF THE EQUIPMENT IN CASE OF AN EMERGENCY



### PRESSURE RELIEF PROCEDURE

Always follow the pressure relief procedure in the equipment instruction manual.



### NOISE HAZARD

You may be injured by loud noise. Hearing protection may be required when using this equipment.



### HIGH PRESSURE CONSIDERATION

High pressure can cause serious injury. Relieve all pressure before servicing. Spray from the spray gun, hose leaks, or ruptured components can inject fluid into your body and cause extremely serious injury.



### STATIC CHARGE

Fluid may develop a static charge that must be dissipated through proper grounding of the equipment, objects to be sprayed and all other electrically conductive objects in the dispensing area. Improper grounding or sparks can cause a hazardous condition and result in fire, explosion or electric shock and other serious injury.



### PROP 65 WARNING

WARNING: This product contains chemicals known to the State of California to cause cancer and birth defects or other reproductive harm.

IT IS THE RESPONSIBILITY OF THE EMPLOYER TO PROVIDE THIS INFORMATION TO THE OPERATOR OF THE EQUIPMENT.

FOR FURTHER SAFETY INFORMATION REGARDING BINKS AND DEVILBISS EQUIPMENT, SEE THE GENERAL EQUIPMENT SAFETY BOOKLET (77-5300).

## BINKS MODEL 21 & 21V SERIES AUTOMATIC SPRAY GUN

### HOOK-UP

1. Air pressure of 35-50 PSI minimum required for cylinder operation.
2. For rapid operation, the air line between three-way valve and the cylinder operating air connection should be as short as possible.
3. All air supplied to the gun should be dirt and moisture-free. A DeVilbiss centrifugal air filter mounted in the air supply line is recommended.
4. If the gun is to stand idle for any length of time, shut off. This will prevent small leaks throughout the system from turning on the gun.

### FAN SPRAY ADJUSTMENTS

The fan spray is easily controlled by means of the side port control. Turning this control to the right, or clockwise, will give a round spray pattern. Turning it to the left, or counter-clockwise, will widen the spray into a fan shape of any desired width. Orientation of the fan spray either horizontally or vertically (or to any position in between) is obtained by loosening the retainer ring, rotating the air nozzle to the desired position, and then tightening the retainer ring.

### FLUID FLOW ADJUSTMENTS

For best results, the fluid control screw (16) should be set at the open position and the flow of the fluid controlled by regulating the fluid pressure in the pressure tank. If the conditions under which the gun is being used require the fluid to be controlled at the gun, it may be accomplished by loosening locknut (17) and turning screw (16) to the right (clockwise) to decrease the flow of fluid or the left (counter-clockwise) to increase the flow of fluid.

### LUBRICATION

The points that require lubrication on this gun are the plunger (7), the air valve packing (11), and the fluid packing (29). These parts should be kept soft and pliable at all times. SSL-10 gun lube is recommended for this.

**⚠ CAUTION**

Never submerge the gun in solvent. Solvent will wash the oil off the lubricated parts and cause subsequent malfunctioning of the gun.

### CLEANING

Shut off the air supply to the tank and release its pressure. Hold a piece of wadded cloth over the gun nozzle and turn on the air to the cylinder. The air will back up through the fluid nozzle and force fluid out of the hose and into the tank.

Replace the paint in the pressure tank with clean solvent and flush through the material hose and spray gun until clean. Blow air through the fluid hose to eliminate residual solvent. Always follow EPA and NFPA regulations when spraying or cleaning spray equipment.

### FAULTY SPRAY

Faulty spray is caused by dry coating material residue around the fluid nozzle tip or inside the air nozzle. Soak these parts in a solvent that will soften the dried residue until it can be removed with a brush or a cloth.

**⚠ CAUTION**

Never use metal probes to clean the air or fluid nozzles because scratches and burns on their precision machined surfaces can cause faulty spray. If either the air or fluid nozzle is damaged so as to give faulty spray, it must be replaced.

## COMPLETE SPRAY GUN MODELS – ORDERING GUIDE

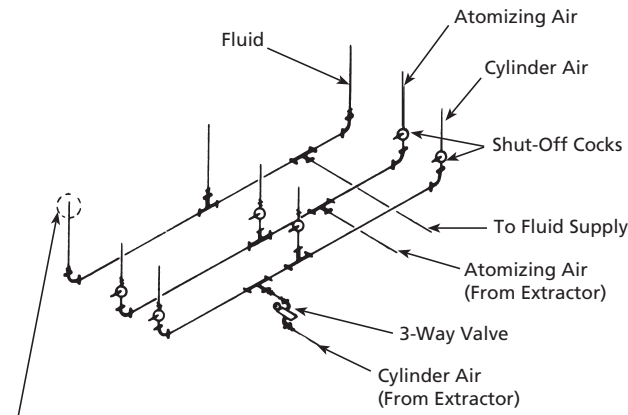
MODEL 21 SETUPS AVAILABLE	Spray Pattern										Fluid Orifice			Pattern Size		
	Thin	Medium	Heavy	Very Heavy	Adhesives	Mold Release	Ceramics	Non-Stick Coating	Hammers	Zinc	Size (Inches)	Size (mm)	Max at 6"	CFM at 30 PSI	CFM at 50 PSI	CFM at 70 PSI
6220-2800-7 63BSS-63PB	■	■									0.046	1.2	14	9.0	14.3	20.0
6220-4307-9 66SS-66SD	■	■									0.070	1.8	10.5	7.9	12.1	15.5
6220-8118-5 59BSS-252			■								0.218	5.5	6	7.8	11.5	15.2
6220-2821-1 63BSS-21MD-1	■	■	■								0.046	1.2	14	8.5	12.3	15.9
6220-2821-3 63BSS-21MD-3	■	■	■								0.046	1.2	15	8.4	12.2	15.7
6220-4308-2 66SS-66SD-3				■							0.070	1.8	10	7.9	12.1	16.2
6220-5123-7 68SS-709SS			■								0.110	2.8	6	4.3	6.9	8.9
6220-8219-1 59CSS-262			■								0.281	7.1	6	7.3	11.0	14.7
6235-4921-2 67VT-21MD-2	■	■	■								0.086	2.2	17	9.6	14.0	18.1
6235-3206-3 63CVT-66PH	■	■	■								0.052	1.3	11	8.0	11.8	15.2
6235-4909-5 67VT-67PB	■	■	■								0.086	2.2	12	9.5	14.1	19.1
6219-8219-1 59CSS-262	Internal mix spray gun for line striping applications															

Model 21
  Model 21V
  Model 21M

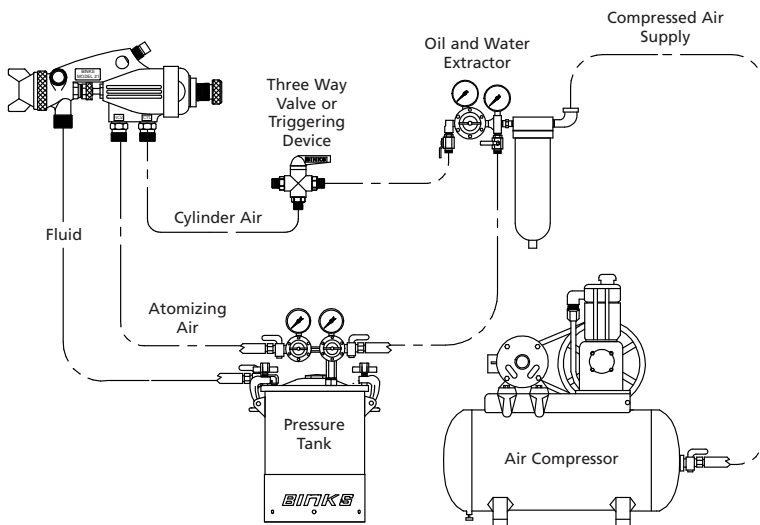
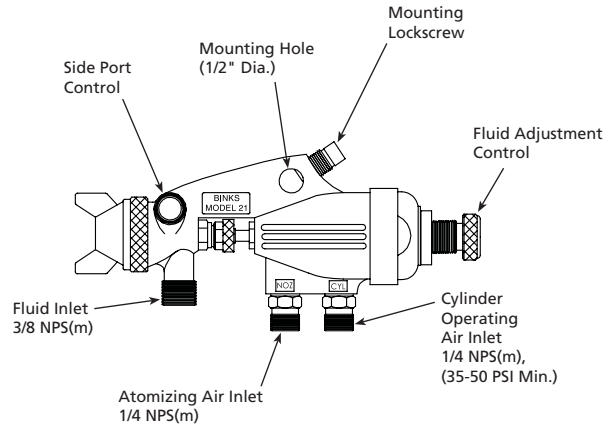
New Setups
  Use for Line Striping

Note: 21 and 21V Gun spray patterns can be adjusted from round spray to maximum pattern size by the means of the side port adjustment.

## BINKS MODEL 21 & 21V SERIES AUTOMATIC SPRAY GUN



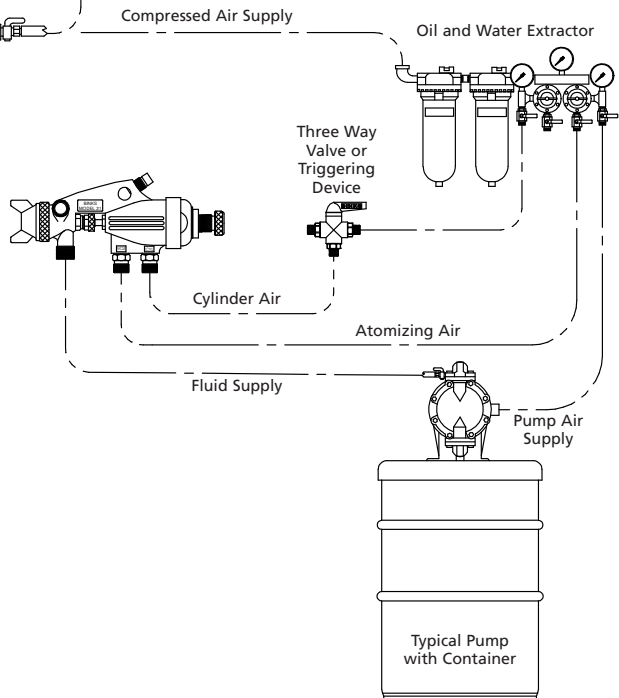
For multiple gun installation, a fluid manifold may be used. Fluid adjustments are made using the fluid control screw on each gun. However, when precise fluid control is necessary, a fluid regulator for each gun must be used.



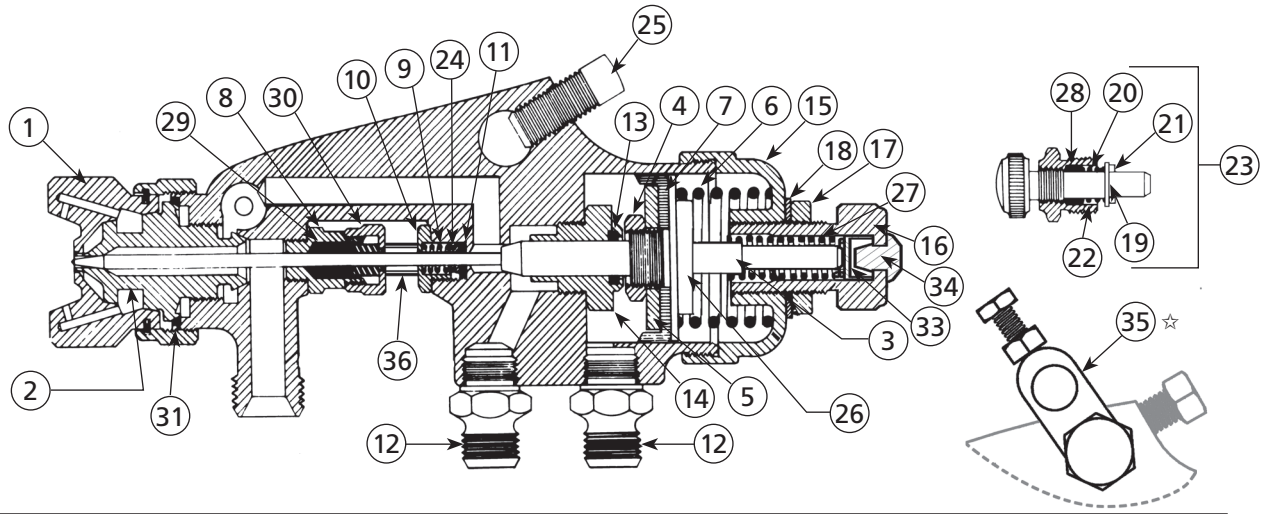
BINKS SPRAY GUN MODEL	CONNECTION THREADS SIZE	
	FLUID	AIR
21 SERIES	3/8 NPS	1/4 NPS

### GENERAL NOTES

1. Have at least 35 PSI air pressure for cylinder operating air.
2. The air line from spray gun to 3-way valve should be as short as possible for rapid operation.
3. All air used in the spray gun should be dirt and moisture free. (This is accomplished by using a clean air filter.)
4. Shut off all fluid and air lines to spray gun if spray gun is to stand idle for any length of time. (This is to prevent "build-up" or accumulation of minute leaks in the system.)
5. Generally fluid hoses are 3/8" and air hoses are 1/4".



## BINKS MODEL 21 & 21V SERIES AUTOMATIC SPRAY GUN



### PARTS LIST

When ordering, please specify Part No.

ITEM NO.	PART NO.	DESCRIPTION	QTY.	ITEM NO.	PART NO.	DESCRIPTION	QTY.
1	○	NOZZLE Air .....	1	21	54-331•	PIN Side Port Control .....	1
2	○	NOZZLE Fluid.....	1	22	54-332•	FOLLOWER Side Port Control .....	1
3	■	FLUID NEEDLE.....	1	23	54-333	SIDE PORT CONTROL Complete....	1
4	54-232	LOCKNUT Plunger.....	1	24	▲ 54-334-5 * 54-446	FOLLOWER Packing .....(Kit of 5) (Single Piece)	1
5	54-233	WASHER Plunger .....	1	25	54-335	SCREW Set .....	1
6	54-236	SPRING Plunger .....	1	26	▲ 54-337 * 54-444	VALVE Air.....	1
7	54-261•	PLUNGER Leather.....	1	27	54-728-5	SPRING Needle Valve .....	1
8	▲ 54-302 * 54-440	GLAND Packing .....	1	28	54-738-5•	PACKING Side Port Control.....	1
9	54-304-5•	SPRING Packing Follower.....(Kit of 5)	1	29	▲ 2-28-5• * 54-1339	PACKING Needle Valve .....(Kit of 5) (Single Piece)	1
10	54-306	NUT Air Packing .....	1	30	▲ 54-765 * 54-1353	NUT Packing .....	1
11	54-307-5•	PACKING Air .....(Kit of 5)	1	31	54-918-5•	GASKET Fluid Nozzle (Kit of 5) .....	1
12	54-308	CONNECTION Air.....	2	32	OMX-88	BRUSH Cleaning (Not Shown) .....	1
13	54-310-5•	PACKING Air Valve .....(Kit of 5)	1	33	54-6001	SPACER SPRING .....	1
14	54-312	GUIDE Air Valve.....	1	34	54-5522	VALVE UMBRELLA .....	1
15	54-321	BONNET .....	1	35	☆ 54-6004	(OPTIONAL) MOUNTING BRACKET ASSEMBLY .....	1
16	● 54-6003	SCREW Fluid Control .....	1	36	54-4270	NEEDLE COVER.....	1
17	54-323	LOCKNUT FLUID CONTROL.....	1				
18	54-324	WASHER Fluid Control Locknut .....	1				
19	54-329•	WASHER Side Port Control .....	1				
20	54-330•	SPRING Side Port Control.....	1				

○ When ordering, please specify number stamped on nozzle.

■ When ordering, please specify gun model and number stamped on needle.

• Parts also available in Repair Kit 6-191.

Gun wrench, 5-476 is recommended for removing fluid nozzle. Please order separately.

● Includes Item 34.

▲ 21 spray gun only.

\* 21V spray gun only.

☆ Allows for easy gun change while maintaining gun alignment.

**BINKS MODEL 21 & 21V SERIES AUTOMATIC SPRAY GUN**

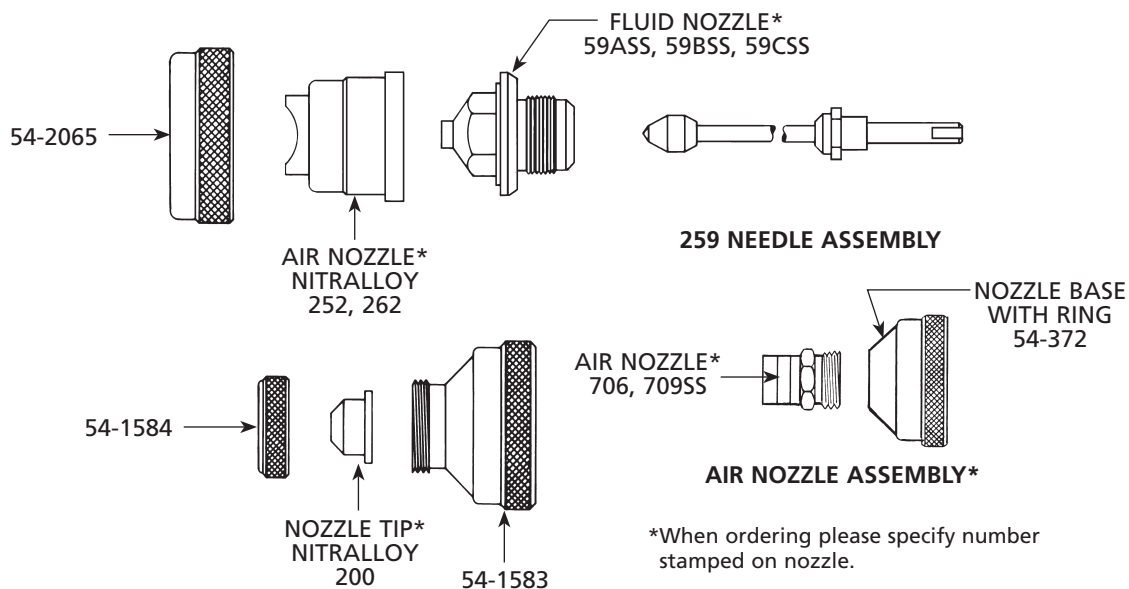
**AIR CAP ORDERING GUIDE**

AIR CAP MARKING	ORDER PART NUMBER	AIR CAP MARKING	ORDER PART NUMBER
200	46-2200	66PH	46-6016
252	46-2252	66SD	46-6020
262	46-2262	66SD-3	46-6092
21MD-1	46-21MD-1	66SK	46-6082
21MD-2	46-21MD-2	67PB	46-6026
21MD-3	46-21MD-3	68PB	46-6032
63PB	46-6002	709SS	46-2020

**FLUID NOZZLE AND NEEDLE ORDERING GUIDE**

FLUID NOZZLE MARKING	ORDER PART NUMBER	NEEDLE MARKING	ORDER NEEDLE NUMBER	ORIFICE SIZE INCHES (MM)	MATERIAL
59ASS	45-5911	259	47-25900	.171 (4.3)	Stainless Steel
59BSS	45-5912	259	47-25900	.218 (5.5)	Stainless Steel
59CSS	45-5913	259	47-25900	.281 (7.7)	Stainless Steel
63BSS	45-6321	263A	47-26310	.046 (1.2)	Stainless Steel
66SS	45-6601	265	47-26500	.070 (1.8)	Stainless Steel
68SS	45-6801	268	47-26800	.110 (2.8)	Stainless Steel
63CVT	45-6332	263CVT	47-26332	.052 (1.3)	Tungsten Carbide
67VT	45-6702	267VT	47-26702	.086 (2.2)	Tungsten Carbide
68VT	45-6802	268VT	47-26802	.110 (2.8)	Tungsten Carbide

**INTERNAL MIX HEAVY MATERIAL NOZZLES (OPTIONAL)**





## MODEL 21 NOZZLE AND NEEDLE SELECTION CHARTS

TYPE OF FLUID TO BE SPRAYED	FLUID X AIR NOZZLES	FLUID NEEDLE	GUN PART NUMBER	CFM @ 30 PSI	CFM @ 50 PSI	CFM @ 70 PSI	MAX PATTERN @ 8"
<b>THIN, 5-25 CENTIPOISE</b> wash primers, dyes, stains, solvents, water, inks, sealers, laquers, lubricants, zinc chromates, acrylics	63BSS X 63PB	263A	6220-2800-7	9.0	14.3	20.0	14
	66SS X 66SD	265	6220-4307-9	7.9	12.1	15.5	10.5
	63BSS X 21MD-1	263A	6220-2821-1	8.5	12.2	15.9	14
	63CVT X 66PH	263CVT	6235-3206-3	8.0	11.8	15.2	11
	66SS X 66SK	265	*	11.0	15.2	19.5	13
	63BSS X 200	263A	*	3.1	5.2	6.4	12
<b>MEDIUM, 25-70 CENTIPOISE</b> synthetic enamels, varnishes, shellacs, fillers, primers, epoxies, urethanes, lubricants, wax emulsions, enamels	63BSS X 63PB	263A	6220-2800-7	9.0	14.3	20.0	14
	66SS X 66SD	265	6220-4307-9	7.9	12.1	15.5	10.5
	63BSS X 21MD-1	263A	6220-2821-1	8.5	12.3	15.9	14
	63BSS X 21MD-3	263A	6220-2821-3	8.4	12.2	15.7	15
	67VT X 21MD-2	267VT	6235-4921-2	9.6	14.0	18.1	17
	63CVT X 66PH	263CVT	6235-3206-3	8.0	11.8	15.2	11
	67VT X 67PB	267VT	6235-4909-5	9.5	14.1	19.1	12
66SS X 66SK	265	*	11.0	15.2	19.5	13	
<b>HEAVY, 70-115 CENTIPOISE</b>	63BSS X 21MD-1	263A	6220-2821-1	8.5	12.3	15.9	14
	63BSS X 21MD-3	263A	6220-2821-3	8.4	12.2	15.7	15
	68SS X 709SS	268	6220-5123-7	4.3	6.9	8.9	6
	67VT X 21MD-2	267VT	6235-4921-2	9.6	14.0	18.1	17
	67VT X 67PB	267VT	6235-4909-5	9.5	14.1	19.1	12
	68SS X 68PB	268	*	9.5	14.1	19.1	12
<b>VERY HEAVY, &gt;115 CENTIPOISE</b> texture coating, road marking paint	59BSS X 252	259	6220-8118-5	7.8	11.5	15.2	6
	59CSS X 262	259	6220-8219-1	7.3	11.0	14.7	6
	68SS X 68PB	268	*	9.5	14.1	19.1	12
<b>ADHESIVES</b> waterbase vinyl glues, solvent base, neoprenes, contact cement	66SS X 66SD-3	265	6220-4308-2	7.9	12.1	16.2	10
	63BSS X 66SD-3	263	*	7.9	12.1	16.2	4
<b>MOLD RELEASE</b>	63BSS X 63PB	263A	6220-2800-7	9.0	14.3	20.0	14
<b>CERAMICS</b> similar abrasive materials, glazes, engobes, porcelain enamel	67VT x 21MD-2	267VT	6235-4921-2	9.6	14.0	18.1	17
	67VT X 67PB	267VT	6235-4909-5	9.5	14.1	19.1	12
	68VT X 68PB	268VT	*	9.5	14.1	19.1	12
<b>CONCRETE CURING COMPOUNDS</b>	66SS X 200	265	*	3.1	5.2	6.4	15
<b>MULTICOLOR PAINTS</b>	66SS X 200	265	*	3.1	5.2	6.4	15
<b>NON-STICK COATINGS</b>	63BSS X 63PB	263A	6220-2800-7	9.0	14.3	20.0	14
	66SS X 66SD	265	6220-4307-9	7.9	12.1	15.5	10.5
	63BSS X 21MD-1	263A	6220-2821-1	8.5	12.3	15.9	14
	63CVT X 66PH	263CVT	6235-3206-3	8.0	11.8	15.2	11
<b>HAMMERS</b>	66SS X 66SD	265	6220-4307-9	7.9	12.1	15.5	10.5
	66SS X 63PB	265	*	9.0	14.3	–	9.0
<b>WRINKLE ENAMELS</b>	66SS X 63PB	265	*	9.0	14.3	20.0	10.0
<b>ZINC RICH COATINGS</b>	67VT x 21MD-2	267VT	6235-4921-2	9.6	14.0	18.1	17
	67VT X 67PB	267VT	6235-4909-5	9.5	14.1	19.1	12

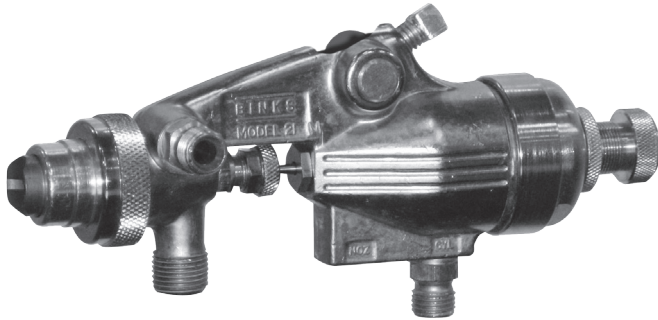
Set ups for vitreous/abrasive materials (Tungsten Carbide needles and fluid nozzles.)

\*Set ups available as spares only.

200, 709SS, 252, & 262 are internal mix air caps.

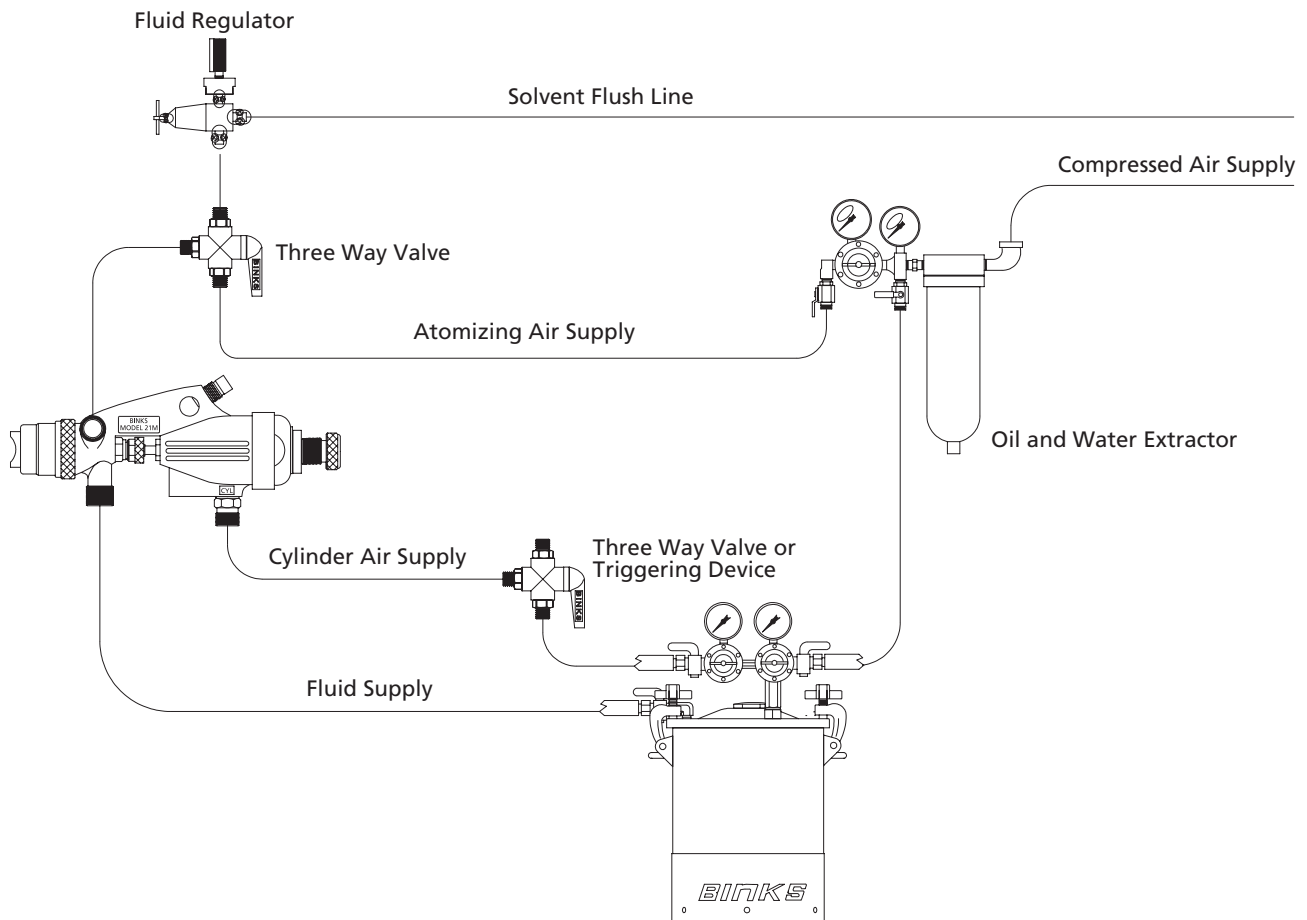
# BINKS MODEL 21M AUTOMATIC SPRAY GUN

(6219-8219-1)



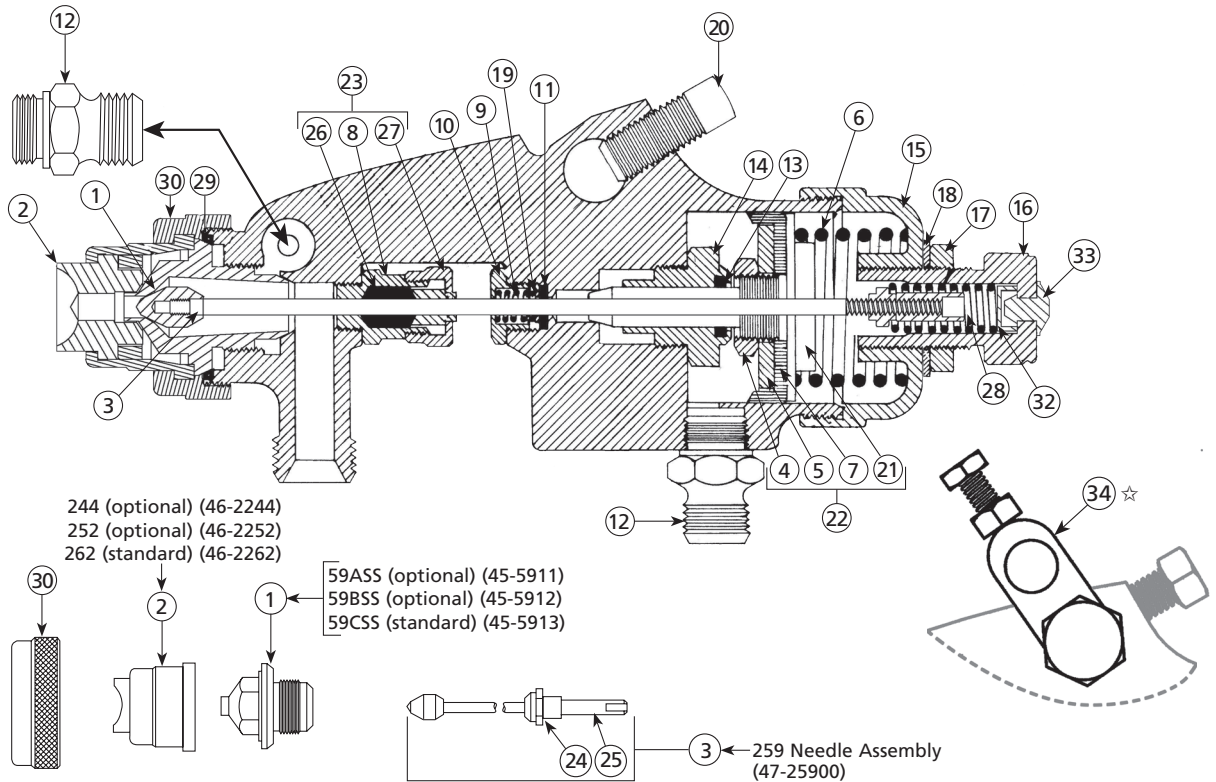
The Binks Model 21M is designed to deal with rough environments both inside and outside the spray gun. The Binks 21M spray gun will stand up to any line stripping process. The internal mix air cap keeps the spray pattern precise while the quick actuating air valve ensures material is only sprayed where and when you want it. The standard model includes a 0.281" orifice for heavy viscosity materials and an air cap that sprays up to a 7" pattern.

The Model 21M has the capability to quick flush the air and fluid nozzles, making it perfect for line stripping trucks. The diagram below shows the setup required for a quick flush.





# BINKS MODEL 21M (BRASS BODY) AUTOMATIC ROADMARKING SPRAY GUN



## PARTS LIST

When ordering, please specify Part No.

ITEM NO.	PART NO.	DESCRIPTION	QTY.	ITEM NO.	PART NO.	DESCRIPTION	QTY.
1	45-5913	FLUID NOZZLE 59CSS (Standard) ....	1	19	54-334-5	PACKING FOLLOWER.....(Kit of 5)	1
2	46-2262	AIR NOZZLE 262 (Standard) .....	1	20	54-335	SET SCREW .....	1
3	47-25900	NEEDLE VALVE ASSEMBLY 259 ...	1	21	54-337▲	VALVE .....	1
4	54-232▲	NUT.....	1	22	54-495	PLUNGER ASSEMBLY .....	1
5	54-233▲	WASHER .....	1	23	54-496	PACKING BOX ASSEMBLY .....	1
6	54-236	PISTON SPRING .....	1	24	54-542	LOCKNUT (Part of Item No. 3).....	1
7	54-261▲	PLUNGER .....	1	25	54-763	LOCKNUT (Part of Item No. 3).....	1
8	54-302●	GLAND.....	1	26	2-28-5●	PACKING.....(Kit of 5)	1
9	54-304-5	SPRING.....(Kit of 5)	1	27	54-765●	NUT.....	1
10	54-306	PACKING NUT .....	1	28	54-839	NEEDLE VALVE SPRING.....	1
11	54-307-5	PACKING.....(Kit of 5)	1	29	54-918-5	AIR NOZZLE GASKET .....	1
12	54-308	AIR CONNECTION .....	2	30	54-2065	RETAINER RING.....	1
13	54-310-5	PACKING.....(Kit of 5)	1	31	OMX-88	BRUSH (NOT SHOWN) .....	1
14	54-312	GUIDE .....	1	32	54-6001	SPACER SPRING.....	1
15	54-321	BONNET.....	1	33	54-5522	VALVE UMBRELLA.....	1
16	54-6003■	CONTROL SCREW.....	1	34	☆ 54-6004	(OPTIONAL) MOUNTING	
17	54-323	CONTROL SCREW LOCKNUT .....	1			BRACKET ASSEMBLY .....	1
18	54-324	WASHER .....	1	35	54-4270	(OPTIONAL) NEEDLE COVER .....	1

- ▲ Part of 54-495 plunger assembly.
- Part of 54-496 packing box assembly.
- Includes Item 33.
- ☆ Allows for easy gun change while maintaining gun alignment.

Gun Wrench 5-476 is recommended for removing fluid nozzle. Please order separately.

No repair kit available. Please order parts separately.

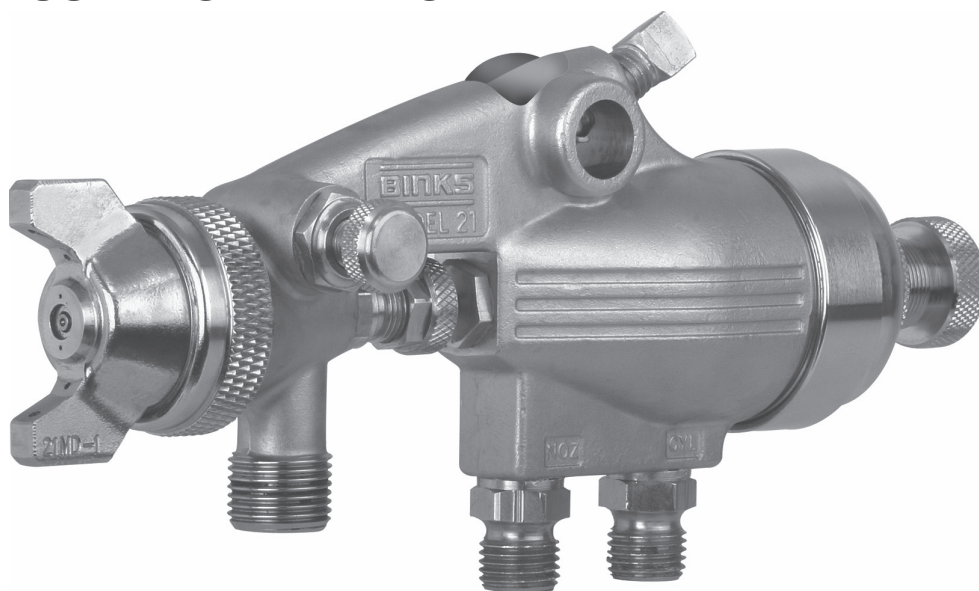
# PISTOLA PULVERIZADORA AUTOMÁTICA BINKS MODELOS 21, 21V, Y 21M

(6220-XXXX-X)

(6235-XXXX-X)

(6219-XXXX-X)

## CUERPO DE LATÓN



Las siguientes instrucciones proporcionan la información necesaria para la operación adecuada y el mantenimiento preventivo de la pistola pulverizadora automática Binks modelo 21. Sírvase leer y entender toda la información contenida en este documento para lograr el máximo rendimiento de su nueva pistola pulverizadora modelo 21.

Las pistolas pulverizadoras de la serie modelo 21 son pistolas pulverizadoras automáticas para trabajo pesado, de operación neumática, con cuerpo de latón forjado.

Todas las pistolas pulverizadoras modelo 21 cuentan con

casquillos de aire de latón niquelado para soportar muchos años de uso ante las más duras condiciones. Las pistolas pulverizadoras modelo 21V tienen boquillas y agujas de fluido de carburo de tungsteno para ser usadas con fluidos abrasivos. Las pistolas pulverizadoras modelo 21M son pistolas pulverizadoras de mezcla interna que se usan para trazar líneas.

### ADVERTENCIA DE PROP 65

ADVERTENCIA: Este producto contiene sustancias químicas que según información en poder del estado de California producen cáncer, defectos de nacimiento y otros daños al sistema reproductor.

### ESPECIFICACIONES:

Presión máxima del fluido:	100 psi/6.9 bar
Presión máxima de aire:	100 psi /6.9 bar
Cuerpo de la pistola:	Latón enchapado
Recorrido del fluido:	Latón niquelado/no electrolítico
Tamaño del orificio de entrada del fluido:	Rosca de 3/8" NPS(m)
Tamaño del orificio de entrada de aire:	Rosca de 1/4" NPS(m)
Peso de la pistola:	41 oz./1213 g
Orificio de montaje:	1/2"
Soporte de montaje: (Barra de 1/2")	54-380

## ¡IMPORTANTE! NO DESTRUIR

Es responsabilidad del cliente que todos los operadores y miembros del personal de servicios lean y comprendan este manual.

Para obtener copias adicionales de este manual, favor ponerse en contacto con un representante de Binks de su localidad.

**ANTES DE OPERAR ESTE PRODUCTO DE BINKS LEA TODAS LAS INSTRUCCIONES**

En esta Hoja de piezas, las palabras **ADVERTENCIA**, **PRECAUCIÓN** y **NOTA** se emplean para enfatizar información de seguridad importante de la manera siguiente:

**⚠ ADVERTENCIA**  
Prácticas peligrosas o inseguras que pueden ocasionar lesiones personales graves, la muerte o daño substancial a la propiedad.

**⚠ PRECAUCIÓN**  
Prácticas peligrosas o inseguras que pueden ocasionar lesiones personales leves, la muerte, daño al producto o a la propiedad.

**NOTA**  
Información importante de instalación, operación o mantenimiento.

**⚠ ADVERTENCIA**

Lea las siguientes advertencias antes de usar este equipo.



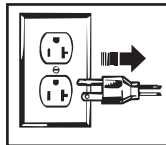
**LEA EL MANUAL**

Antes de operar los equipos de acabado, lea y comprenda toda la información de seguridad, operación y mantenimiento incluida en el manual de operaciones.



**USE GAFAS PROTECTORAS**

No usar gafas protectoras con resguardos laterales puede ocasionar lesiones graves en los ojos o ceguera.



**DESACTIVE, DESCONECTE Y BLOQUEE TODAS LAS FUENTES DE ENERGÍA DURANTE EL MANTENIMIENTO.**

No desactivar, desconectar ni bloquear todas las fuentes de suministro de energía antes de realizar operaciones de mantenimiento en los equipos puede ocasionar lesiones graves o la muerte.



**CAPACITACIÓN DE LOS OPERADORES**

Todos los miembros del personal deben ser capacitados antes de operar los equipos de acabado.



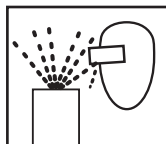
**PELIGRO DE USO INDEBIDO DEL EQUIPO**

El uso indebido del equipo puede ocasionar averías, mal funcionamiento o activación imprevista lo que a su vez puede producir lesiones graves.



**MANTENGA LAS DEFENSAS DEL EQUIPO EN SU LUGAR**

No operar los equipos si los dispositivos de seguridad fueron removidos.



**PELIGRO DE PROYECTILES**

Usted puede resultar lesionado por dar salida a líquidos o gases liberados bajo presión o por restos volanderos.



**PELIGRO DE PUNTOS DE PRESIÓN**

Las partes móviles pueden aplastar y ocasionar cortaduras. Los puntos de presión son básicamente todas las áreas donde haya partes móviles.



**EQUIPOS AUTOMÁTICOS**

Los equipos automáticos pueden activarse súbitamente sin advertencia.



**INSPECCIONE LOS EQUIPOS DIARIAMENTE**

Inspeccione diariamente los equipos para verificar que no tengan piezas gastadas o rotas. No opere los equipos si no está seguro de esta condición.



**NUNCA MODIFIQUE LOS EQUIPOS**

No modifique el equipo sin la autorización escrita del fabricante.



**SEPA CÓMO Y DÓNDE DESACTIVAR LOS EQUIPOS EN CASO DE EMERGENCIA.**



**PROCEDIMIENTO DE LIBERACIÓN DE PRESIÓN**

Siga siempre el procedimiento de liberación de presión que aparece en el manual de instrucciones del equipo.



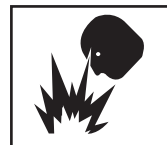
**PELIGRO DE RUIDO**

Usted puede resultar lesionado por el ruido muy fuerte. Podría necesitar protección de los oídos al usar este equipo.



**CARGA ESTÁTICA**

Los fluidos pueden generar una carga estática que debe ser disipada mediante la debida puesta a tierra del equipo, los objetos que van a ser rociados y todos los demás objetos electroconductores en el área de suministro. La puesta a tierra indebida o las chispas pueden ocasionar condiciones de peligro y producir incendios, explosiones o descargas eléctricas y otras lesiones graves.



**PELIGRO DE INCENDIO Y EXPLOSIÓN**

Nunca use 1, 1,1-tricloroetano, cloruro de metileno, otros disolventes con hidrocarburos halogenados o fluidos que contengan dichos disolventes en equipos con piezas de aluminio humedecidas. Tales usos pueden producir una reacción química peligrosa con posibilidades de explosión. Consulte con sus proveedores de fluidos para asegurarse de que los fluidos que se vayan a usar sean compatibles con las piezas de aluminio.



**ADVERTENCIA PROP 65**

ADVERTENCIA: Este producto contiene sustancias químicas que según información en poder del estado de California producen cáncer, defectos de nacimiento y otros daños al sistema reproductor.

**PARA MÁS INFORMACIÓN DE SEGURIDAD ACERCA DE LOS EQUIPOS BINKS Y DEVILBISS, CONSULTE EL FOLLETO DE SEGURIDAD GENERAL DE LOS EQUIPOS (77-5300).**

## PISTOLAS PULVERIZADORAS AUTOMÁTICAS BINKS DE LA SERIE MODELOS 21 Y 21V

### CONEXIÓN

1. Se requiere una presión de aire mínima de 35-50 PSI para la operación del cilindro.
2. Para operación rápida, la línea de aire entre la válvula de tres vías y la conexión de aire para operación del cilindro debe ser lo más corta posible.
3. Todo el aire provisto a la pistola no deberá tener polvo ni humedad. Se recomienda montar un filtro centrífugo de aire DeVilbiss en la línea de suministro de aire.
4. Se recomienda apagar la pistola si no se va a usar por un tiempo. Esto evitará pequeñas filtraciones por todo el accionar la pistola.

### AJUSTES DEL ATOMIZADO EN FORMA DE ABANICO

El atomizado en forma de abanico se controla fácilmente mediante el control del puerto lateral. Hacer girar este control a la derecha o en sentido horario, producirá un atomizado redondo; hacer girar hacia la izquierda o en sentido antihorario, ensanchará el atomizado, dándole una forma de abanico de cualquier ancho deseado. La orientación del atomizado en abanico, ya sea horizontal o verticalmente (o a cualquier posición intermedia) se logra aflojando primero el anillo de retención, haciendo girar la boquilla de aire a la posición deseada y luego apretando el anillo de retención.

### AJUSTES DEL FLUJO DE FLUIDO

Para mejores resultados, el tornillo de control de fluido (16) se debe colocar en la posición de abierto y el flujo del fluido se deberá controlar regulando la presión de fluido en el tanque a presión. Si las condiciones bajo las que se usa la pistola requieren que el fluido se controle en la pistola, esto se logra aflojando la contratuerca (17) y dándole vuelta al tornillo (16) a la derecha (sentido horario) para disminuir el flujo de fluido o a la izquierda (sentido antihorario) para aumentarlo.

### LUBRICACIÓN

Los puntos que requieren lubricación en esta pistola son el émbolo (7), el empaquetamiento de la válvula de aire (11) y el empaquetamiento de fluido (29). Estas piezas se deben mantener suaves y maleables en todo momento. Para esto se recomienda la pistola de lubricación SSL-10.

### ⚠ PRECAUCIÓN

Nunca sumerja la pistola en solvente. El solvente eliminará el aceite de las piezas lubricadas y provocará el mal funcionamiento de la pistola.

### LIMPIEZA

Cierre el suministro de aire al tanque y libere la presión. Sostenga un trozo de tela con la mano sobre la boquilla de la pistola y encienda el aire que va al cilindro. El aire retrocederá a través de la boquilla de fluido e impulsará el fluido a salir de la manquera hacia el tanque.

Reemplace la pintura del tanque a presión con solvente limpio y purgue a través de la manguera de materiales y de la pistola pulverizadora hasta que estén limpias. Sople aire a través de la manguera de fluido para eliminar el solvente que quede. Siempre que aplique pintura pulverizada o que limpie el equipo de pulverizado siga los reglamentos de EPA y NFFPA.

### ATOMIZADO DEFECTUOSO

El atomizado defectuoso es causado por la presencia de material de residuo seco alrededor de la punta de la boquilla de fluido o adentro de la boquilla de aire. Remoje estas piezas en un solvente para que suavice el material seco, hasta que pueda ser eliminado con un cepillo o paño.

### ⚠ PRECAUCIÓN

Nunca use sondas metálicas para limpiar las boquillas de aire o fluido, ya que las raspaduras o quemaduras en las superficies hechas con maquinado de precisión pueden provocar atomizado defectuoso. Si la boquilla de aire o de fluido está dañada y produce un atomizado defectuoso, deberá cambiarse.

## GUÍA COMPLETA PARA PEDIR PISTOLAS DE PULVERIZADO

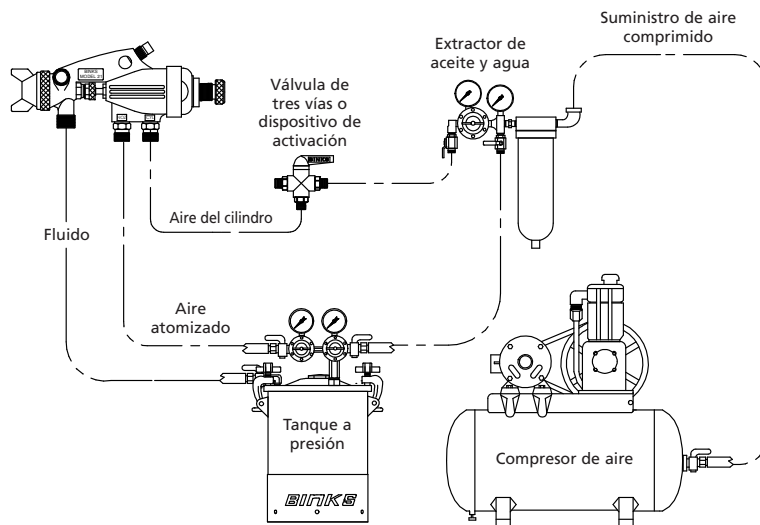
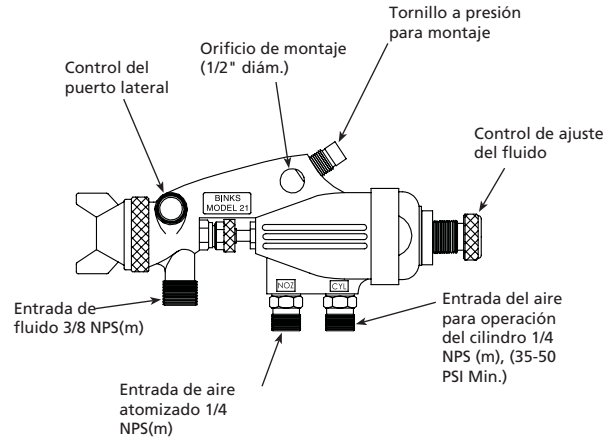
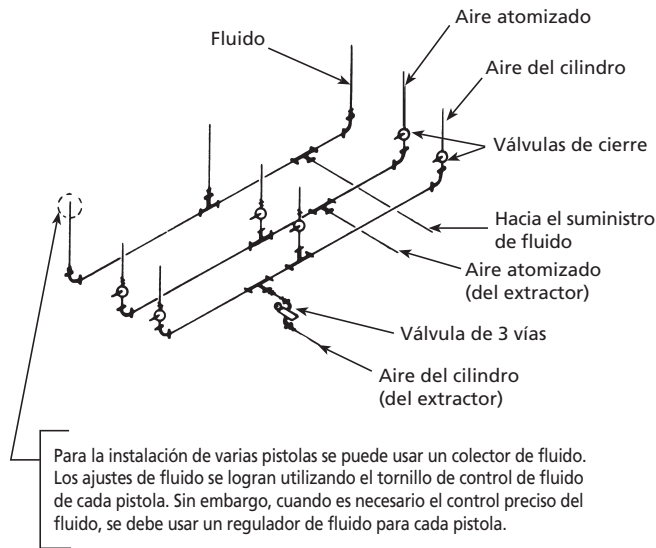
CONFIGURACIONES DISPONIBLES DEL MODELO 21		Tipo de atomizado					Eliminación de mohos			Revestimiento antiadherente		Marrillos		Zinc		Tamaño del orificio del fluido (pulgadas)		Tamaño del orificio del fluido (mm)		Tamaño máximo del patrón a 6"		CFM a 30 PSI		CFM a 50 PSI		CFM a 70 PSI			
		Diuido	Mediano	Espeso	Muy espeso	Adhesivos	Eliminación de moho			Revestimiento antiadherente		Marrillos		Zinc		0.046	0.070	0.110	0.146	3.8	4.8	6.0	7.5	10.0	12.5	15.0	17.5	20.0	
6220-2800-7	63BSS-63PB	■	■				■	■	■							0.046	1.2	14	9.0	14.3	20.0								
6220-4307-9	66SS-66SD	■	■				■	■	■							0.070	1.8	10.5	7.9	12.1	15.5								
6220-8118-5	59BSS-252			■												0.218	5.5	6	7.8	11.5	15.2								
6220-2821-1	63BSS-21MD-1	■	■	■			■	■	■							0.046	1.2	14	8.5	12.3	15.9								
6220-2821-3	63BSS-21MD-3	■	■	■			■	■	■							0.046	1.2	15	8.4	12.2	15.7								
6220-4308-2	66SS-66SD-3				■											0.070	1.8	10	7.9	12.1	16.2								
6220-5123-7	68SS-709SS			■												0.110	2.8	6	4.3	6.9	8.9								
6220-8219-1	59CSS-262			■												0.281	7.1	6	7.3	11.0	14.7								
6235-4921-2	67VT-21MD-2	■	■	■			■	■	■							0.086	2.2	17	9.6	14.0	18.1								
6235-3206-3	63CVT-66PH	■	■				■	■	■							0.052	1.3	11	8.0	11.8	15.2								
6235-4909-5	67VT-67PB		■	■			■	■	■							0.086	2.2	12	9.5	14.1	19.1								
6219-8219-1	59CSS-262	Pistola pulverizadora de mezcla interna para aplicaciones de trazado de líneas																											

Modelo 21
  Modelo 21V
  Modelo 21M

Nuevas configuraciones
  Usar para trazar líneas

Nota: los patrones de atomizado de las pistolas pulverizadoras modelo 21 y 21V se pueden ajustar de atomizado en redondo al tamaño más grande del patrón ajustando el puerto lateral.

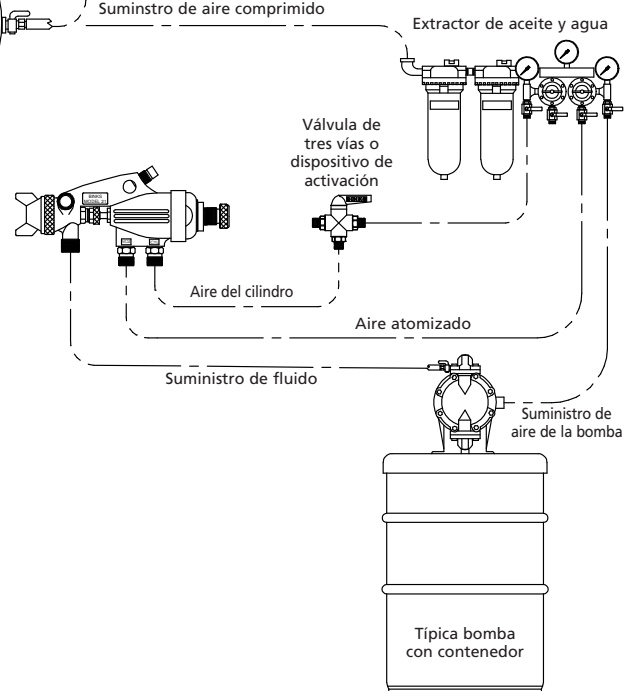
# PISTOLAS AUTOMÁTICAS PULVERIZADORAS BINKS DE LA SERIE MODELOS 21 Y 21V



PISTOLA PULVERIZADORA BINKS MODELO	TAMAÑO DE LAS ROSCAS DE CONEXIÓN	
	FLUIDO	AIRE
SERIE 21	3/8 NPS	1/4 NPS

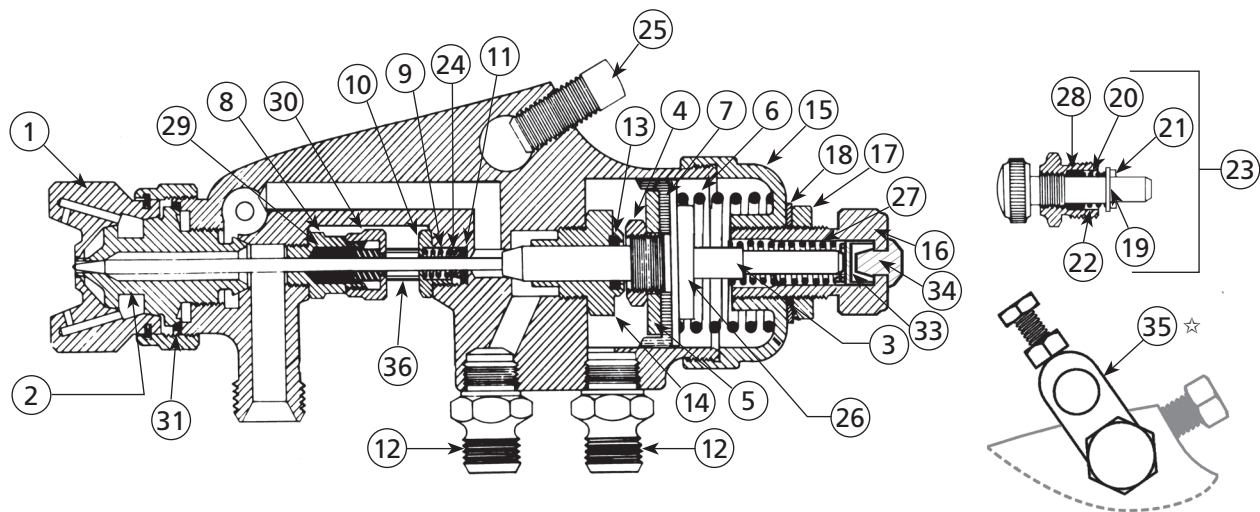
## NOTAS GENERALES

1. Cuente con una presión de aire de por lo menos 35 PSI para el aire de operación del cilindro.
2. La línea de aire de la pistola pulverizadora a la válvula de 3 vías debe ser lo más corta posible para operación rápida.
3. El aire usado en la pistola pulverizadora no debe tener polvo ni humedad. (Esto se logra usando un filtro de aire limpio).
4. Cierre de todas las líneas de fluido y aire de la pistola pulverizadora cuando no la use por algún tiempo. (Esto se hace para evitar la acumulación de filtraciones diminutas en el sistema).
5. Generalmente las mangueras de fluido son de 3/8" y las de aire de 1/4".





**PISTOLAS PULVERIZADORAS AUTOMÁTICAS BINKS DE LA SERIE MODELOS 21 Y 21V**



**LISTA DE PIEZAS**

Al hacer su pedido, sírvase especificar el No. de pieza

ARTÍCULO NO.	PIEZA NO.	DESCRIPCIÓN	CANT.	ARTÍCULO NO.	PIEZA NO.	DESCRIPCIÓN	CANT.
1	○	BOQUILLA de aire .....	1	20	54-330•	RESORTE del control del puerto lateral .....	1
2	○	BOQUILLA de fluido.....	1	21	54-331•	CLAVIJA del control del puerto lateral .....	1
3	■	Aguja de FLUIDO.....	1	22	54-332•	CASQUILLO del control del puerto lateral .....	1
4	54-232	CONTRATUERCA del émbolo.....	1	23	54-333	CONTROL del puerto lateral, completo .....	1
5	54-233	ARANDELA del émbolo .....	1	24	▲ 54-334-5	CASQUILLO del empaquetamiento .....	1
6	54-236	RESORTE del émbolo .....	1		* 54-446	(Pieza individual)	
7	54-261•	ÉMBOLO de cuero.....	1	25	54-335	TORNILLO (Juego).....	1
8	▲ 54-302	PRENSAESTOPAS del empaquetamiento .....	1	26	▲ 54-337	VÁLVULA de aire .....	1
	* 54-440				* 54-444		
9	54-304-5•	RESORTE del casquillo del empaquetamiento ... (Kit de 5)	1	27	54-728-5	RESORTE de la válvula de aguja.....	1
10	54-306	TUERCA del empaquetamiento de aire .....	1	28	54-738-5•	EMPAQUE del control del puerto lateral .....	1
11	54-307-5•	EMPAQUETAMIENTO de aire .....	1	29	▲ 2-28-5•	EMPAQUETAMIENTO de la válvula de aguja .....	1
12	54-308	CONEXIÓN de aire.....	2		* 54-1339	(Pieza individual)	
13	54-310-5•	EMPAQUETAMIENTO de la válvula de aire .....	1	30	▲ 54-765	TUERCA del empaquetamiento.....	1
14	54-312	GUÍA de la válvula de aire .....	1		* 54-1353		
15	54-321	SOMBRETERE.....	1	31	54-918-5•	EMPAQUE de la boquilla de fluido .....	1
16	● 54-6003	TORNILLO del control de fluidos .....	1			(Kit de 5)	
17	54-323	CONTRATUERCA del control de fluidos .....	1	32	OMX-88	CEPILLO de la limpieza (No ilustrado)....	1
18	54-324	ARANDELA de la contratuerca del control de fluidos .....	1	33	54-6001	SEPARADOR resorte .....	1
19	54-329•	ARANDELA del control del puerto lateral.....	1	34	54-5522	VALVULA de paraguas .....	1
				35	☆ 54-6004	(OPCIONAL) SOPORTE DE MONTAJE de la asamblea .....	1
				36	54-4270	CUBIERTA DE AGUJA .....	1

○ Al hacer su pedido, sírvase especificar el número estampado en la boquilla.

■ Al hacer su pedido, sírvase especificar el modelo de la pistola y el número estampado en la aguja.

• Las piezas también están disponibles en el Kit de reparación 6-191.

La llave de la pistola, 5-476, se recomienda para remover la boquilla de fluidos. Sírvase hacer el pedido por separado.

● Incluye artículo 34.

▲ Sólo la pistola pulverizadora 21.

\* Sólo la pistola pulverizadora 21V.

☆ Permite un fácil cambio pistola mientras se mantiene la alineación de la pistola.



PISTOLA PULVERIZADORA AUTOMÁTICA BINKS DE LA SERIE MODELOS 21 Y 21V

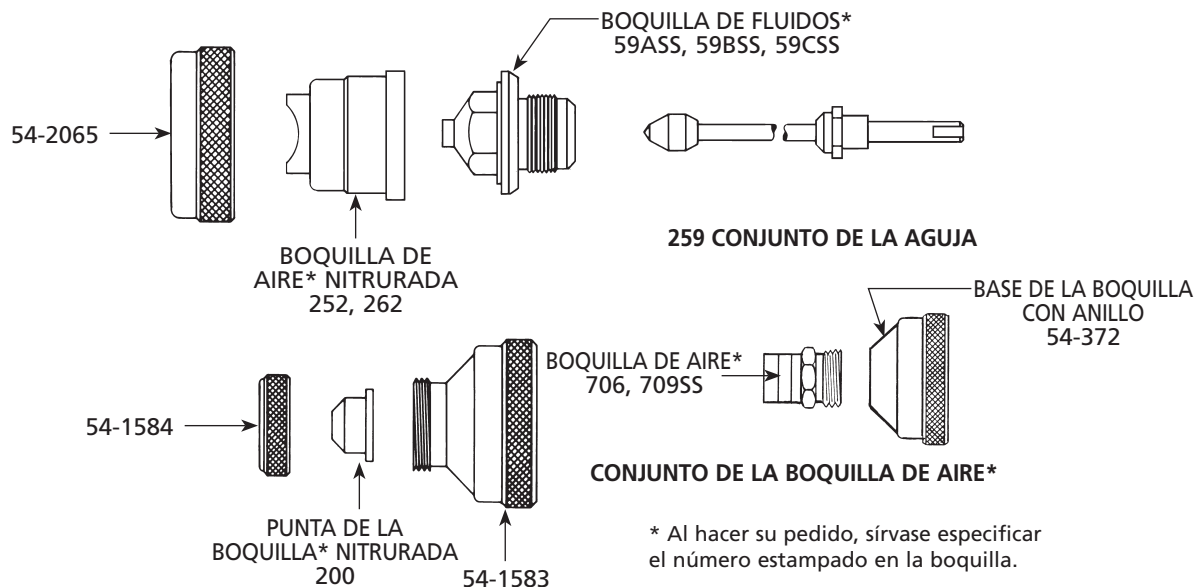
GUÍA DE PEDIDO DE CASQUILLOS DE AIRE

MARCADO DE CASQUILLOS DE AIRE	NÚMERO DE PEDIDO DE LA PIEZA	MARCADO DE CASQUILLOS DE AIRE	NÚMERO DE PEDIDO DE LA PIEZA
200	46-2200	66PH	46-6016
252	46-2252	66SD	46-6020
262	46-2262	66SD-3	46-6092
21MD-1	46-21MD-1	66SK	46-6082
21MD-2	46-21MD-2	67PB	46-6026
21MD-3	46-21MD-3	68PB	46-6032
63PB	46-6002	709SS	46-2020

GUÍA DE PEDIDO DE LAS BOQUILLAS Y AGUJAS DE FLUIDO

MARCADO DE BOQUILLAS DE FLUIDO	NÚMERO DE PEDIDO DE LA PIEZA	MARCADO DE AGUJAS	NÚMERO DE PEDIDO DE LAS AGUJAS	TAMAÑO DEL ORIFICIO EN PULGADAS (MM)	MATERIAL
59ASS	45-5911	259	47-25900	.171 (4.3)	Acero inoxidable
59BSS	45-5912	259	47-25900	.218 (5.5)	Acero inoxidable
59CSS	45-5913	259	47-25900	.281 (7.7)	Acero inoxidable
63BSS	45-6321	263A	47-26310	.046 (1.2)	Acero inoxidable
66SS	45-6601	265	47-26500	.070 (1.8)	Acero inoxidable
68SS	45-6801	268	47-26800	.110 (2.8)	Acero inoxidable
63CVT	45-6332	263CVT	47-26332	.052 (1.3)	Carburo de tungsteno
67VT	45-6702	267VT	47-26702	.086 (2.2)	Carburo de tungsteno
68VT	45-6802	268VT	47-26802	.110 (2.8)	Carburo de tungsteno

BOQUILLAS DE MEZCLA INTERNA DE MATERIAL ESPESO (OPCIONAL)



## TABLAS DE SELECCIÓN DE LA BOQUILLA Y AGUJA DEL MODELO 21

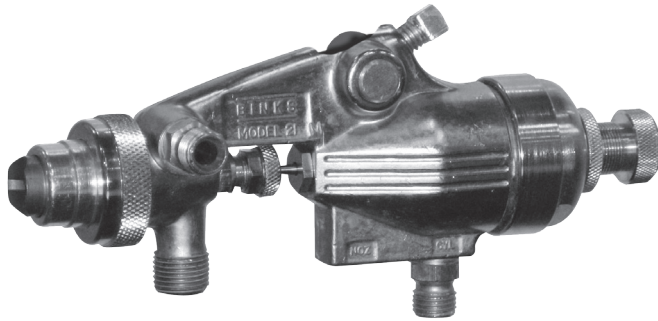
TIPO DE FLUIDO QUE SERÁ ATOMIZADO	BOQUILLAS DE AIRE Y FLUIDO	AGUJA DE FLUIDO	NÚMERO DE PIEZA DE LA PISTOLA	CFM A 30 PSI	CFM A 50 PSI	CFM A 70 PSI	PATRÓN MÁXIMO DE 8"
<b>DILUIDO, 5-25 CENTIPOISES</b> Imprimadores de lavado, tintes, tinturas, solventes, agua, tintas, selladores, esmaltes, lubricantes, cromatos de zinc, acrílicos	63BSS X 63PB	263A	6220-2800-7	9.0	14.3	20.0	14
	66SS X 66SD	265	6220-4307-9	7.9	12.1	15.5	10.5
	63BSS X 21MD-1	263A	6220-2821-1	8.5	12.2	15.9	14
	63CVT X 66PH	263CVT	6235-3206-3	8.0	11.8	15.2	11
	66SS X 66SK	265	*	11.0	15.2	19.5	13
	63BSS X 200	263A	*	3.1	5.2	6.4	12
<b>MEDIANO, 25-70 CENTIPOISES</b> Esmaltes sintéticos, barnices, lacas, rellenos, imprimadores, epoxis, uretanos, lubricantes, emulsiones de cera, esmaltes	63BSS X 63PB	263A	6220-2800-7	9.0	14.3	20.0	14
	66SS X 66SD	265	6220-4307-9	7.9	12.1	15.5	10.5
	63BSS X 21MD-1	263A	6220-2821-1	8.5	12.3	15.9	14
	63BSS X 21MD-3	263A	6220-2821-3	8.4	12.2	15.7	15
	67VT X 21MD-2	267VT	6235-4921-2	9.6	14.0	18.1	17
	63CVT X 66PH	263CVT	6235-3206-3	8.0	11.8	15.2	11
	67VT X 67PB	267VT	6235-4909-5	9.5	14.1	19.1	12
66SS X 66SK	265	*	11.0	15.2	19.5	13	
<b>ESPESO, 70-115 CENTIPOISES</b>	63BSS X 21MD-1	263A	6220-2821-1	8.5	12.3	15.9	14
	63BSS X 21MD-3	263A	6220-2821-3	8.4	12.2	15.7	15
	68SS X 709SS	268	6220-5123-7	4.3	6.9	8.9	6
	67VT X 21MD-2	267VT	6235-4921-2	9.6	14.0	18.1	17
	67VT X 67PB	267VT	6235-4909-5	9.5	14.1	19.1	12
	68SS X 68PB	268	*	9.5	14.1	19.1	12
<b>MUY ESPESO, &gt;115 CENTIPOISES</b> Recubrimiento de textura, pintura para marcar las calles	59BSS X 252	259	6220-8118-5	7.8	11.5	15.2	6
	59CSS X 262	259	6220-8219-1	7.3	11.0	14.7	6
	68SS X 68PB	268	*	9.5	14.1	19.1	12
<b>ADHESIVOS</b> Pegamentos de vinilo con base de agua, base solvente, neoprenos, cementos de contacto	66SS X 66SD-3	265	6220-4308-2	7.9	12.1	16.2	10
	63BSS X 66SD-3	263	*	7.9	12.1	16.2	4
<b>ELIMINACIÓN DE MOHO</b>	63BSS X 63PB	263A	6220-2800-7	9.0	14.3	20.0	14
<b>CERÁMICAS</b> Materiales abrasivos, vidriados, esmaltes de porcelana para enlucidos cerámicos	67VT x 21MD-2	267VT	6235-4921-2	9.6	14.0	18.1	17
	67VT X 67PB	267VT	6235-4909-5	9.5	14.1	19.1	12
	68VT X 68PB	268VT	*	9.5	14.1	19.1	12
<b>COMPUESTOS PARA CURAR EL CONCRETO</b>	66SS X 200	265	*	3.1	5.2	6.4	15
<b>PINTURAS MULTICOLOR</b>	66SS X 200	265	*	3.1	5.2	6.4	15
<b>RECUBRIMIENTOS ANTIADHERENTES</b>	63BSS X 63PB	263A	6220-2800-7	9.0	14.3	20.0	14
	66SS X 66SD	265	6220-4307-9	7.9	12.1	15.5	10.5
	63BSS X 21MD-1	263A	6220-2821-1	8.5	12.3	15.9	14
	63CVT X 66PH	263CVT	6235-3206-3	8.0	11.8	15.2	11
<b>MARTILLOS</b>	66SS X 66SD	265	6220-4307-9	7.9	12.1	15.5	10.5
	66SS X 63PB	265	*	9.0	14.3	-	9.0
<b>ESMALTES ARRUGADOS</b>	66SS X 63PB	265	*	9.0	14.3	20.0	10.0
<b>RECUBRIMIENTOS RICOS EN ZINC</b>	67VT x 21MD-2	267VT	6235-4921-2	9.6	14.0	18.1	17
	67VT X 67PB	267VT	6235-4909-5	9.5	14.1	19.1	12

Configuraciones para materiales vitreos/abrasivos (aguas y boquillas de fluido de carburo de tungsteno.)

\*Configuraciones disponibles sólo como repuestos.

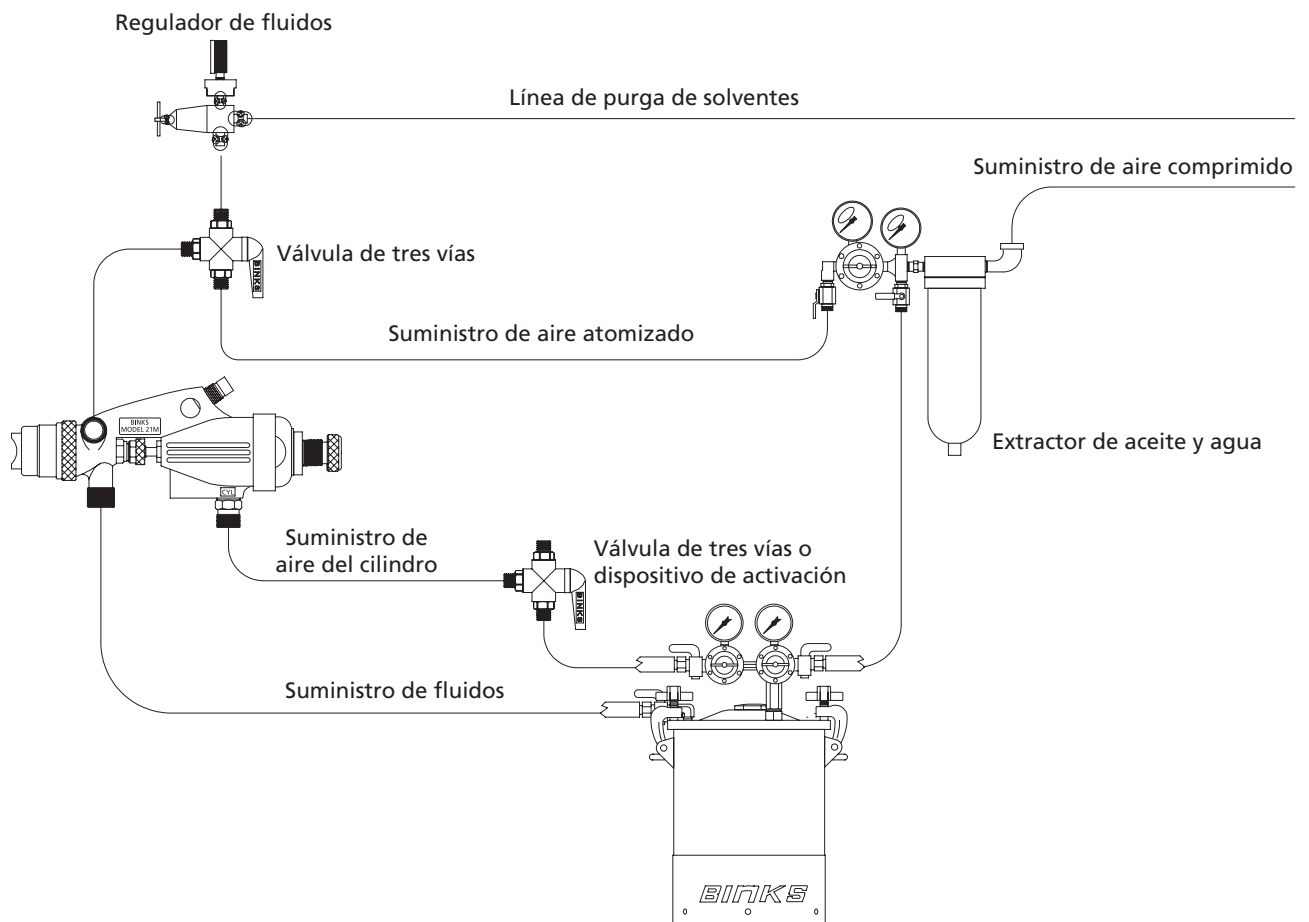
200, 709SS, 252 y 262 son casquillos de aire de mezcla interna.

# PISTOLA PULVERIZADORA AUTOMÁTICA BINKS MODELO 21M (6219-8219-1)

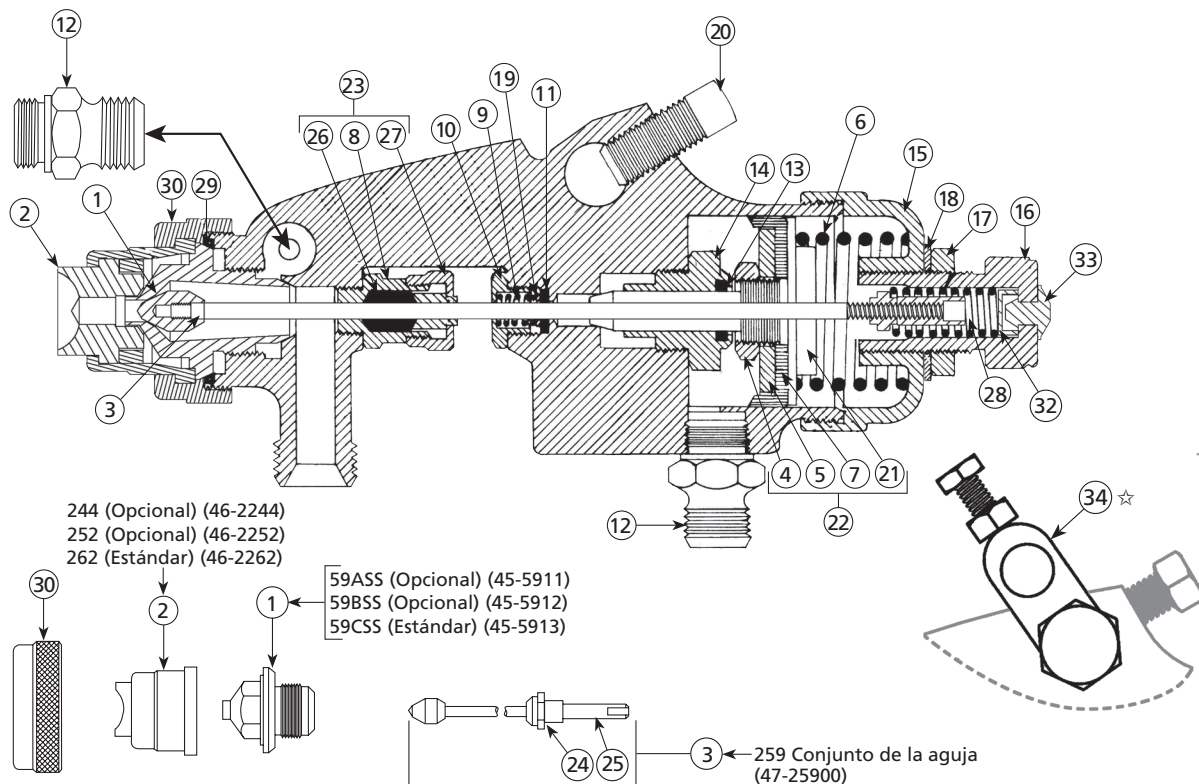


El modelo 21M de Binks está diseñado para funcionar en ambientes ásperos tanto dentro como fuera de la pistola pulverizadora. La pistola pulverizadora Binks 21M resistirá cualquier proceso de trazado de líneas. El casquillo de aire de mezcla interna mantiene la precisión del patrón de atomizado mientras que la válvula de aire de rápida acción asegura que el material sólo se atomice dónde y cuándo usted lo desee. El modelo estándar incluye un orificio de 0.281" para materiales muy espesos y un casquillo de aire que cubre un patrón de hasta 7".

El modelo 21M tiene la capacidad de purgar rápidamente las boquillas de aire y fluido, lo que lo hace perfecto para vehículos que trazan líneas. El diagrama que aparece abajo muestra la configuración requerida para una purga rápida.



**PISTOLA PULVERIZADORA AUTOMÁTICA BINKS MODELO 21M (CUERPO DE LATÓN) PARA MARCAR CALLES**



**LISTA DE PIEZAS**

Al hacer su pedido, sírvase especificar el No. de Pieza.

ARTÍCULO NO.	PIEZA NO.	DESCRIPCIÓN	CANT.	ARTÍCULO NO.	PIEZA NO.	DESCRIPCIÓN	CANT.
1	45-5913	BOQUILLA DE FLUIDOS 59CSS (estándar)...	1	19	54-334-5	CASQUILLO DEL EMPAQUETAMIENTO..... (Kit de 5)	1
2	46-2262	BOQUILLA DE AIRE 262 (estándar) ...	1	20	54-335	TORNILLO DE AJUSTE.....	1
3	47-25900	CONJUNTO DE LA VÁLVULA DE LA AGUJA 259.....	1	21	54-337▲	VÁLVULA.....	1
4	54-232▲	TUERCA.....	1	22	54-495	CONJUNTO DEL ÉMBOLO.....	1
5	54-233▲	ARANDELA.....	1	23	54-496	CONJUNTO DE LA CAJA DE EMPAQUETAMIENTO.....	1
6	54-236	RESORTE DEL PISTÓN.....	1	24	54-542	CONTRATUERCA (Pieza del artículo No. 3)...	1
7	54-261▲	ÉMBOLO.....	1	25	54-763	CONTRATUERCA (Pieza del artículo No. 3)...	1
8	54-302●	PRENSAESTOPA.....	1	26	2-28-5●	EMPAQUETAMIENTO..... (Kit de 5)	1
9	54-304-5	RESORTE..... (Kit de 5)	1	27	54-765●	TUERCA.....	1
10	54-306	TUERCA DE PRESIÓN.....	1	28	54-839	RESORTE DE LA VÁLVULA DE AGUJA...	1
11	54-307-5	EMPAQUETAMIENTO..... (Kit de 5)	1	29	54-918-5	EMPAQUE DE LA BOQUILLA DE AIRE..... (Kit de 5)	1
12	54-308	CONEXIÓN DE AIRE.....	2	30	54-2065	ANILLO DE RETENCIÓN.....	1
13	54-310-5	EMPAQUETAMIENTO..... (Kit de 5)	1	31	OMX-88	CEPILLO (no se muestra).....	1
14	54-312	GUÍA.....	1	32	54-6001	SEPARADOR resorte.....	1
15	54-321	SOMBRETE.....	1	33	54-5522	VALVULA de paraguas.....	1
16	54-6003■	TORNILLO DE CONTROL.....	1	34	☆ 54-6004	(OPCIONAL) SOPORTE DE MONTAJE de la asamblea.....	1
17	54-323	CONTRATUERCA DEL TORNILLO DE CONTROL.....	1	35	54-4270	(OPCIONAL) CUBIERTA DE AGUJA...	1
18	54-324	ARANDELA.....	1				

- ▲ Parte del conjunto del émbolo 54-495.
- Parte del conjunto de la caja de empaquetamiento 54-496.
- Incluye artículo 33.

Se recomienda la llave 5-476 de pistola para retirar la boquilla de fluidos. Sírvase pedir las por separado.  
 ☆ Permite un fácil cambio pistola mientras se mantiene la alineación de la pistola.

El kit de reparación no está disponible. Por favor pida las piezas por separado.

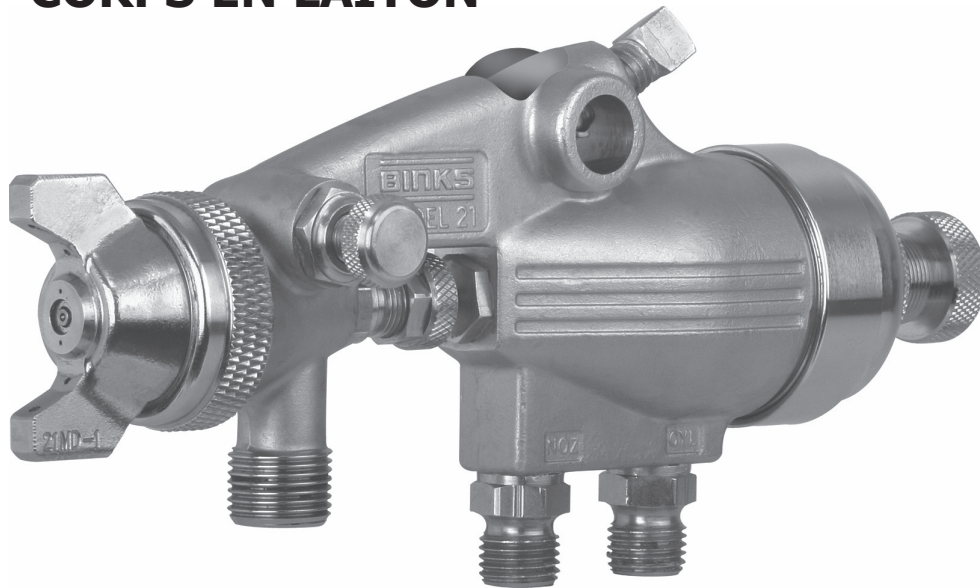
# PISTOLET PULVÉRISATEUR AUTOMATIQUE BINKS, MODÈLE 21, 21V, ET 21M

(6220-XXXX-X)

(6235-XXXX-X)

(6219-XXXX-X)

## CORPS EN LAITON

Les instructions suivantes fournissent les renseignements nécessaires au bon fonctionnement et à l'entretien préventif du pistolet pulvérisateur automatique Binks, modèle 21. Lire et bien comprendre toutes les instructions données dans ce document afin d'obtenir une performance optimale de ce nouveau pistolet pulvérisateur modèle 21.

Les pistolets pulvérisateurs modèle de série 21 sont des appareils automatiques robustes, à fonctionnement pneumatique et avec un corps en laiton forgé.

### CARACTÉRISTIQUES :

Pression de liquide maximale :	100 psi/6,9 bars
Pression d'air maximale :	100 psi/6,9 bars
Corps du pistolet :	Laiton plaqué
Passage de liquides :	Laiton/plaqué au nickel autocatalytique
Diamètre d'entrée du produit :	Filet 3/8 po NPS(m)
Diamètre d'arrivée d'air :	Filet 1/4 po NPS(m)
Poids du pistolet :	41 oz/1213 g
Trou de montage :	1/2 po
Support de fixation :	54-380 (barre 1/2 po)

Tous les pistolets pulvérisateurs modèle 21 sont dotés de chapeau d'air et de corps en laiton plaqué au nickel qui résistent à des années d'utilisation dans les conditions les plus rudes. Les pistolets pulvérisateurs modèle 21V contiennent des buses à produit et des pointeaux en carbure de tungstène permettant de les utiliser avec des liquides abrasifs. Les pistolets pulvérisateurs modèle 21M sont des pistolets à mélange interne utilisés pour le traçage de ligne.

#### MISE EN GARDE DE LA PROPOSITION 65

MISE EN GARDE : Cet article contient des produits chimiques qui, dans l'état de Californie, sont connus pour provoquer cancers, malformations congénitales ou autres problèmes de reproduction.

## IMPORTANT! NE PAS DÉTRUIRE

**Il incombe au client de s'assurer que tous les opérateurs et le personnel de service lisent et comprennent ce manuel.**

**Contactez le représentant local Binks pour obtenir des copies supplémentaires de ce manuel.**

**LIRE TOUTES LES INSTRUCTIONS AVANT D'UTILISER CE PRODUIT BINKS**



Dans cette fiche des pièces, les mots MISE EN GARDE, ATTENTION et REMARQUE sont utilisés pour attirer l'attention sur des consignes de sécurité importantes comme indiqué ci-dessous :

**⚠ MISE EN GARDE**  
Dangers ou pratiques dangereuses pouvant conduire à de graves blessures personnelles, voire mortelles, ou à d'importants dommages matériels.

**⚠ ATTENTION**  
Dangers ou pratiques peu sûres pouvant provoquer des blessures corporelles sans gravité, endommager le produit ou causer des dégâts matériels.

**REMARQUE**  
Information importante concernant l'installation, le fonctionnement et l'entretien.

## ⚠ MISE EN GARDE

Lisez les avertissements suivants avant d'utiliser cet équipement.



### LISEZ LE MANUEL

Avant de faire fonctionner des équipements de finition, lire et comprendre toutes les informations de sécurité, de fonctionnement et d'entretien fourni dans le manuel d'utilisation.



### PORTER DES LUNETTES DE SÉCURITÉ

Omission de porter des lunettes de sécurité avec écrans latéraux pourrait entraîner de graves lésions oculaires ou la cécité.



### DÉSEXCITER, DÉPRESSURISER, DÉCONNECTER ET LOCK OUT TOUTES LES SOURCES D'ALIMENTATION PENDANT L'ENTRETIEN

Le défaut de mettre hors tension, débrancher et verrouiller toutes les alimentations avant d'effectuer l'entretien du matériel peut provoquer des blessures graves ou la mort.

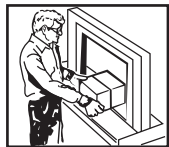


### FORMATION DES OPÉRATEURS TOUT LE PERSONNEL DOIT ÊTRE FORMÉ AVANT DE FAIRE FONCTIONNER DES ÉQUIPEMENTS DE FINITION.



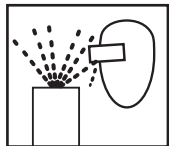
### EQUIPMENT MISUSE HAZARD

Equipment misuse can cause the equipment to rupture, malfunction, or start unexpectedly and result in serious injury.



### ÉQUIPEMENT ABUS HAZARD

Mauvaise utilisation d'équipement peut causer de l'équipement à une rupture, un dysfonctionnement, ou de démarrer de façon inattendue et entraîner des blessures graves.



### RISQUE DE PROJECTILES

Vous pouvez être blessés par des liquides ou des gaz d'évacuation qui sont libérés sous la pression, ou des débris.



### DANGER POINT DE PINCEMENT

Les pièces mobiles peuvent écraser et couper. Les points de pincement sont essentiellement les zones où il ya des pièces en mouvement.



### L'ÉQUIPEMENT AUTOMATIQUE

Équipements automatiques peuvent débiter subitement sans avertissement.



### INSPECTEZ L'ÉQUIPEMENT TOUS LES JOURS

Inspecter l'équipement pour les pièces usées ou brisées sur une base quotidienne. Ne pas faire fonctionner l'équipement si vous êtes incertain quant à son état.



### NE JAMAIS MODIFIER L'ÉQUIPEMENT

Ne pas modifier l'équipement sauf si le constructeur fournit une autorisation écrite.



### SAVOIR OÙ ET COMMENT COUPER L'ÉQUIPEMENT EN CAS D'URGENCE



### PROCÉDURE DE DÉCOMPRESSION

Toujours suivre la procédure de décharge de pression dans le manuel d'instructions de l'équipement.



### RISQUE DE BRUIT

Vous pouvez être blessé par un bruit fort. Protection de l'ouïe peuvent être requis lors de l'utilisation de cet équipement.



### CONSIDÉRATION HAUTE PRESSION

Haute pression peut causer des blessures graves. Décharger toute pression avant l'entretien. Vaporiser du pistolet, les fuites, ou de composants défectueux peut injecter du liquide dans votre corps et causer des blessures extrêmement graves.



### CHARGE STATIQUE

Fluide peuvent développer une charge statique qui doit être dissipée par la terre correcte de l'équipement, les objets à pulvériser et tous les autres objets électriquement conductrices dans la zone de distribution. À la terre incorrecte ou des étincelles peuvent provoquer une situation dangereuse et entraîner un incendie, d'explosion ou d'électrocution et d'autres blessures graves.



**CA PROP  
65**

### MISE EN GARDE DE LA PROPOSITION 65

MISE EN GARDE : Cet article contient des produits chimiques qui, dans l'état de Californie, sont connus pour provoquer cancers, malformations congénitales ou autres problèmes de reproduction.

IL EST DE LA RESPONSABILITÉ DE L'EMPLOYEUR POUR FOURNIR CETTE INFORMATION À L'OPÉRATEUR DU MATÉRIEL.

POUR PLUS D'INFORMATIONS DE SÉCURITÉ CONCERNANT PLUS BINKS ET ÉQUIPEMENT DEVILBISS,  
VOIR LE LIVRET <<ÉQUIPEMENT DE SÉCURITÉ GÉNÉRALES>> (77-5300).



## PISTOLET PULVÉRISATEUR AUTOMATIQUE BINKS, MODÈLES DE SÉRIE 21 ET 21V

### RACCORDEMENT

1. Une pression d'air de 30-50 PSI (2-3,4 bars) minimum est nécessaire pour assurer le fonctionnement du cylindre.
2. Pour un fonctionnement rapide, la conduite d'air entre la soupape à trois voies et le raccord d'air pour l'activation du cylindre doit être aussi courte que possible.
3. L'air amené au pistolet doit être totalement exempt de poussières et d'humidité. Il est recommandé d'installer un filtre à air centrifuge DiVilbiss sur la conduite d'arrivée d'air.
4. Si le pistolet doit rester inactif pendant une durée indéterminée, l'éteindre. Cette précaution permet d'éviter les petites fuites dans le système lors de la mise en marche du pistolet.

### RÉGLAGES DU JET DE PULVÉRISATION

Le contrôle du jet de pulvérisation s'effectue sans difficulté à l'aide de la commande latérale de l'orifice. En tournant cette commande vers la droite, ou dans le sens horaire, on obtient un jet de pulvérisation rond. En la tournant sur la gauche, ou dans le sens antihoraire, on élargit le jet en éventail à la dimension voulue. L'orientation horizontale ou verticale (ou toute position intermédiaire) du jet en éventail s'obtient en desserrant l'anneau de blocage, en tournant la buse d'air sur la position voulue, puis en resserrant l'anneau de blocage.

### RÉGLAGES DU DÉBIT DELIQUIDE

Pour un résultat optimal, la vis de réglage du débit (16) doit être en position ouverte et le débit de liquide contrôlé en régulant la pression de liquide dans le réservoir sous pression. Si les conditions d'utilisation du pistolet nécessitent de contrôler le liquide au niveau du pistolet, il suffit pour cela de desserrer le contre-écrou (17) et de tourner la vis (16) à droite (sens horaire) pour diminuer le débit de liquide ou à gauche (sens antihoraire) pour l'augmenter.

### LUBRIFICATION

Les éléments devant être lubrifiés sur ce pistolet sont le piston (7), la garniture de soupape d'air (11), et la garniture de fluide (29). Ces pièces doivent toujours rester souples et pliables. Il est recommandé d'utiliser pour cela le lubrifiant pour pistolet SSL-10.

### ⚠ ATTENTION

Ne jamais immerger le pistolet dans un solvant. Le solvant a pour effet d'éliminer la graisse des pièces lubrifiées, entraînant ainsi un dysfonctionnement du pistolet.

### NETTOYAGE

Couper l'arrivée d'air au réservoir et purger la pression accumulée. Placer un morceau de ouatine sur la buse du pistolet et mettre en marche l'arrivée d'air au cylindre. L'air sera refoulé jusqu'à la buse et expulsera le liquide hors du tuyau jusqu'au réservoir.

Remplacer la peinture du réservoir sous pression par un solvant propre et rincer à travers le tuyau de produit et le pistolet pulvérisateur jusqu'à ce qu'ils soient propres. Faire passer de l'air dans le tuyau de produit pour éliminer le reste de solvant. Respecter toujours les réglementations EPA et NFPA pour pulvériser ou nettoyer le matériel de pulvérisation.

### PULVÉRISATION DÉFECTUEUSE

Les défauts de pulvérisation sont dus à des résidus de produit formant une croûte sèche autour de l'embout du pointeau ou à l'intérieur de la buse d'air. Faire tremper ces pièces dans un solvant qui ramollira les résidus séchés jusqu'à ce qu'il soit possible de les éliminer avec une brosse ou un chiffon.

### ⚠ ATTENTION

Ne jamais utiliser de sonde métallique pour nettoyer les buses d'air ou de produit car toute rayure ou éraflure sur les surfaces usinées avec précision peut provoquer des défauts de pulvérisation. Si la buse d'air ou de produit est endommagée au point d'affecter la pulvérisation, elle doit être remplacée.

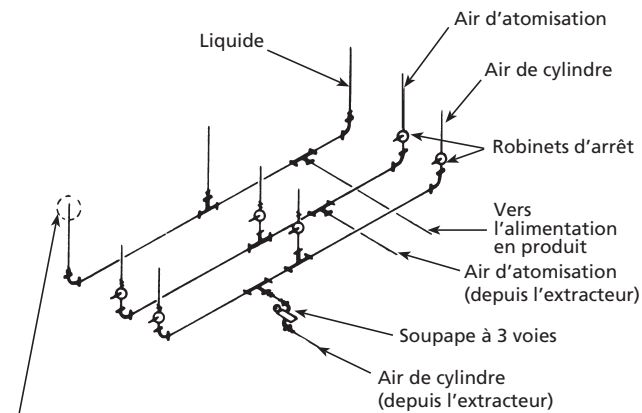
## MODÈLES DE PISTOLETS PULVÉRISATEURS COMPLETS - GUIDE DE COMMANDE

MODÈLE 21 RÉGLAGES DISPONIBLES		Viscosité centipoises					Agent de démouillage		Céramiques		Revêtements antiaérosols		Martelés		Zinc		Dimension de l'orifice à produit (pouces)		Dimension de l'orifice à produit (mm)		Taille max. du jet à 8 po		PSI/MIN A 30 PSI (2 BARS)		PSI/MIN A 50 PSI (3,4 BARS)		PSI/MIN A 70 PSI (4,8 BARS)	
		Faible viscosité	3-25 centipoises	Moyenne viscosité	25-70 centipoises	Élevée viscosité	70-115 centipoises	Très élevée viscosité	>115 centipoises	Adhésifs																		
6220-2800-7	63BSS-63PB	■	■						■								0,046	1,2	14	9,0	14,3	20,0						
6220-4307-9	66SS-66SD	■	■														0,070	1,8	10,5	7,9	12,1	15,5						
6220-8118-5	59BSS-252				■												0,218	5,5	6	7,8	11,5	15,2						
6220-2821-1	63BSS-21MD-1	■	■	■													0,046	1,2	14	8,5	12,3	15,9						
6220-2821-3	63BSS-21MD-3		■	■													0,046	1,2	15	8,4	12,2	15,7						
6220-4308-2	66SS-66SD-3							■									0,070	1,8	10	7,9	12,1	16,2						
6220-5123-7	68SS-709SS				■												0,110	2,8	6	4,3	6,9	8,9						
6220-8219-1	59CSS-262					■											0,281	7,1	6	7,3	11,0	14,7						
6235-4921-2	67VT-21MD-2		■	■													0,086	2,2	17	9,6	14,0	18,1						
6235-3206-3	63CVT-66PH	■	■														0,052	1,3	11	8,0	11,8	15,2						
6235-4909-5	67VT-67PB		■	■													0,086	2,2	12	9,5	14,1	19,1						
6219-8219-1	59CSS-262	Pistolet de pulvérisation à mélange interne pour applications de traçage de ligne																										

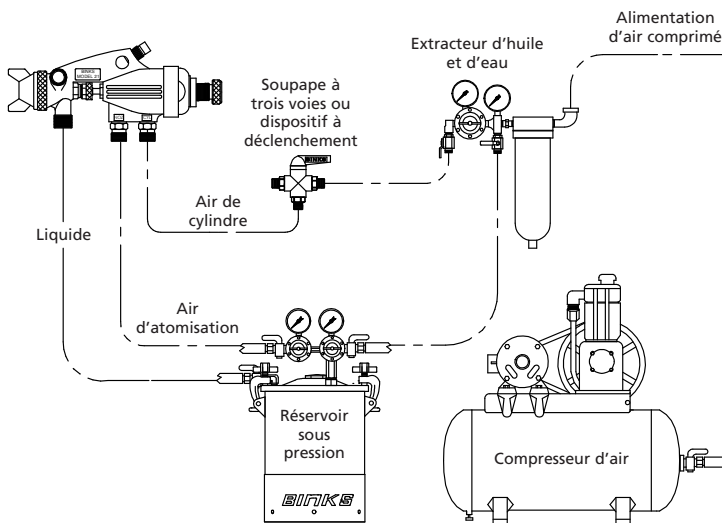
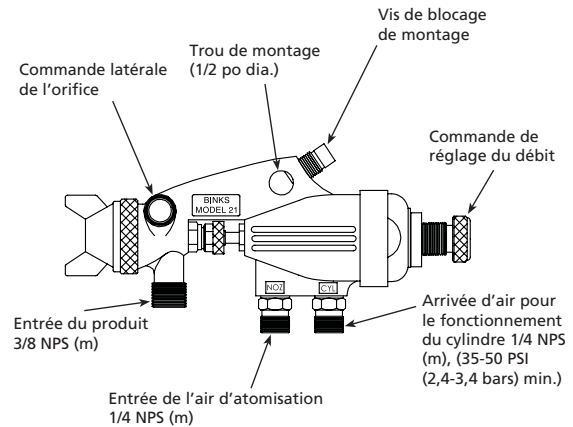
	Modèle 21		Modèle 21V		Modèle 21M
	Nouveaux réglages		Utiliser pour le traçage de ligne		

Remarque : Il est possible de régler les jets de pulvérisation des pistolets 21 et 21V d'un jet rond à un jet de dimension maximale en réglant l'orifice latéral.

## PISTOLET PULVÉRISATEUR AUTOMATIQUE BINKS, MODÈLES DE SÉRIE 21 ET 21V



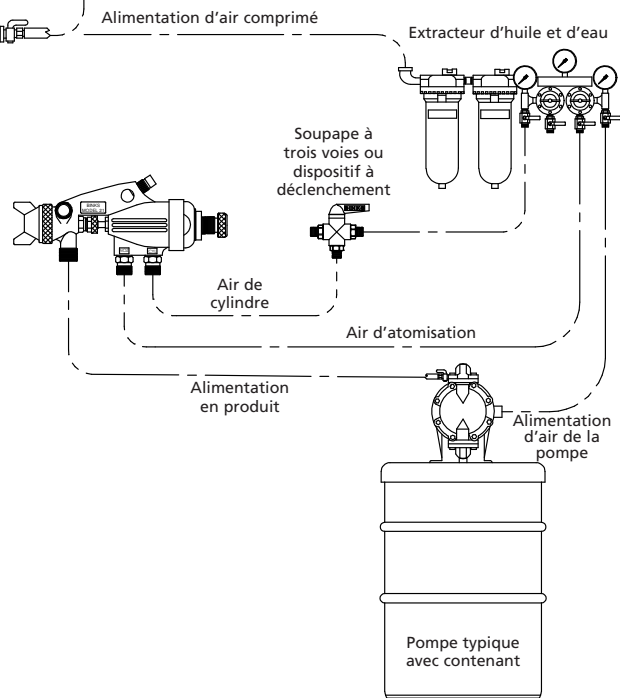
Pour des installations multiples de pistolet, il est possible d'utiliser un collecteur de fluides. Les réglages du débit s'effectuent à l'aide d'une vis de contrôle du débit du produit sur chaque pistolet. Néanmoins, lorsqu'un réglage précis du débit est nécessaire, il est nécessaire alors d'utiliser un régulateur de débit sur chaque pistolet.



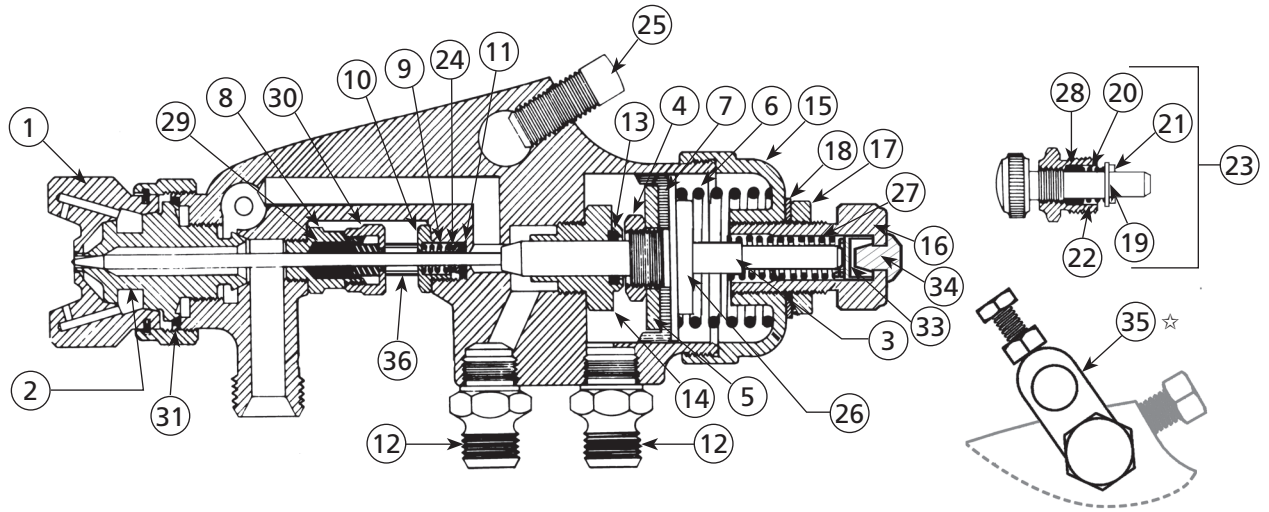
MODÈLE DE PISTOLET PULVÉRISATEUR BINKS	DIMENSION DES FILETS DE RACCORDEMENT	
	LIQUIDE	AIR
SÉRIE 21	3/8 PO NPS	1/4 PO NPS

### REMARQUES GÉNÉRALES

1. Prévoir au moins 35 PSI (2,4 bars) de pression d'air pour l'air de fonctionnement du cylindre.
2. La conduite d'air raccordant le pistolet pulvérisateur à la soupape à 3 voies doit être la plus courte possible pour assurer un fonctionnement rapide.
3. Tout l'air utilisé dans le pistolet doit être exempt de poussières et d'humidité. (Pour cela, il faut un filtre à air propre).
4. Fermer toutes les conduites de produit et d'air vers le pistolet pulvérisateur si le pistolet doit rester inactif pendant un laps de temps, quel qu'il soit. (Cette mesure est destinée à éviter les dépôts ou accumulations de fuites minimales dans le système).
5. En règle générale, le diamètre des tuyaux de produit est de 3/8 po et celui des tuyaux d'air de 1/4 po.



## PISTOLET PULVÉRISATEUR AUTOMATIQUE BINKS, MODÈLES DE SÉRIE 21 ET 21V



### LISTE DES PIÈCES DE RECHANGE

Indiquez le numéro de la pièce pour passer votre commande.

ARTICLE N°	PIÈCE N°	DESCRIPTION	QTÉ.	ARTICLE N°	PIÈCE N°	DESCRIPTION	QTÉ.
1	○	BUSE Air .....	1	21	54-331•	GOUPILLE Commande latérale de l'orifice ...	1
2	○	BUSE Liquide .....	1	22	54-332•	FOULOIR Commande latérale de l'orifice.....	1
3	■	POINTEAU À PRODUIT .....	1	23	54-333	COMMANDE LATÉRALE DE L'ORIFICE Complète....	1
4	54-232	CONTRE-ÉCROU Piston.....	1	24	▲ 54-334-5	FOULOIR Garniture.....(Trousse de 5)	1
5	54-233	RONDELLE Piston.....	1		* 54-446	..... (Pièce unique)	
6	54-236	RESSORT Piston.....	1	25	54-335	VIS Ensemble.....	1
7	54-261•	PISTON Cuir.....	1	26	▲ 54-337	SOUPAPE Air.....	1
8	▲ 54-302	ÉTANCHÉITÉ Garniture .....	1		* 54-444		
	* 54-440			27	54-728-5	RESSORT Soupape de pointeau .....	1
9	54-304-5•	RESSORT Fouloir de garniture..(Trousse de 5)	1	28	54-738-5•	GARNITURE Commande latérale de l'orifice....	1
10	54-306	ÉCROU Garniture d'air .....	1	29	▲ 2-28-5•	GARNITURE Soupape de pointeau ... (Trousse de 5)	1
11	54-307-5•	GARNITURE Air.....(Trousse de 5)	1		* 54-1339	..... (Pièce unique)	
12	54-308	CONNEXION Air.....	2	30	▲ 54-765	ÉCROU Garniture .....	1
13	54-310-5•	GARNITURE Soupape d'air .... (Trousse de 5)	1		* 54-1353		
14	54-312	GUIDE Soupape d'air.....	1	31	54-918-5•	JOINT Buse de produit.....(Trousse de 5)	1
15	54-321	BONNET .....	1	32	OMX-88	BROSSE Nettoyage (Non illustrée).....	1
16	● 54-6003	VIS Réglage du débit.....	1	33	54-6001	ESPACEUR Ressort.....	1
17	54-323	CONTRE-ÉCROU RÉGLAGE DU DÉBIT ...	1	34	54-5522	SOUPAPE Parapluie .....	1
18	54-324	RONDELLE Contre-écrou réglage du débit .....	1	35	☆ 54-6004	(OPTION) SUPPORT de montage.....	1
19	54-329•	RONDELLE Commande latérale de l'orifice....	1	36	54-4270	COUVERTURE DE BUSE .....	1
20	54-330•	RESSORT Commande latérale de l'orifice.....	1				

○ Indiquez le numéro estampillé sur la buse pour passer votre commande.

■ Indiquez le modèle de pistolet et le numéro estampillé sur le pointeau pour passer votre commande.

• Pièces également disponibles dans le nécessaire de réparation 6-191.

Clé à pistolet, 5-476 recommandée pour la dépose de la buse de produit. Veuillez commander séparément.

● Comprend l'article 34.

▲ Pistolet pulvérisateur 21V uniquement.

\* Pistolet pulvérisateur 21V uniquement.

☆ Permet de changement pistolet facile tout en conservant l'alignement du pistolet.

## PISTOLET PULVÉRISATEUR AUTOMATIQUE BINKS, MODÈLES DE SÉRIE 21 ET 21V

### GUIDE DE COMMANDE POUR CHAPEAU D'AIR

MARQUAGE DE CHAPEAU D'AIR	NUMÉRO DE PIÈCE À COMMANDER
200	46-2200
252	46-2252
262	46-2262
21MD-1	46-21MD-1
21MD-2	46-21MD-2
21MD-3	46-21MD-3
63PB	46-6002

MARQUAGE DE CHAPEAU D'AIR	NUMÉRO DE PIÈCE À COMMANDER
66PH	46-6016
66SD	46-6020
66SD-3	46-6092
66SK	46-6082
67PB	46-6026
68PB	46-6032
709SS	46-2020

### GUIDE DE COMMANDE POUR BUSE DE PRODUIT ET POINTEAU

MARQUAGE DE BUSE DE PRODUIT	NUMÉRO DE PIÈCE À COMMANDER	MARQUAGE DE POINTEAU	NUMÉRO DE POINTEAU À COMMANDER	DIMENSIONS DE L'ORIFICE EN POUCE (MM)	MATÉRIAU
59ASS	45-5911	259	47-25900	0,171 (4,3)	Acier inoxydable
59BSS	45-5912	259	47-25900	0,218 (5,5)	Acier inoxydable
59CSS	45-5913	259	47-25900	0,281 (7,7)	Acier inoxydable
63BSS	45-6321	263A	47-26310	0,046 (1,2)	Acier inoxydable
66SS	45-6601	265	47-26500	0,070 (1,8)	Acier inoxydable
68SS	45-6801	268	47-26800	0,110 (2,8)	Acier inoxydable
63CVT	45-6332	263CVT	47-26332	0,052 (1,3)	Carbure de tungstène
67VT	45-6702	267VT	47-26702	0,086 (2,2)	Carbure de tungstène
68VT	45-6802	268VT	47-26802	0,110 (2,8)	Carbure de tungstène

### BUSES POUR MÉLANGE INTERNE DE PRODUITS À VISCOSITÉ ÉLEVÉE (EN OPTION)

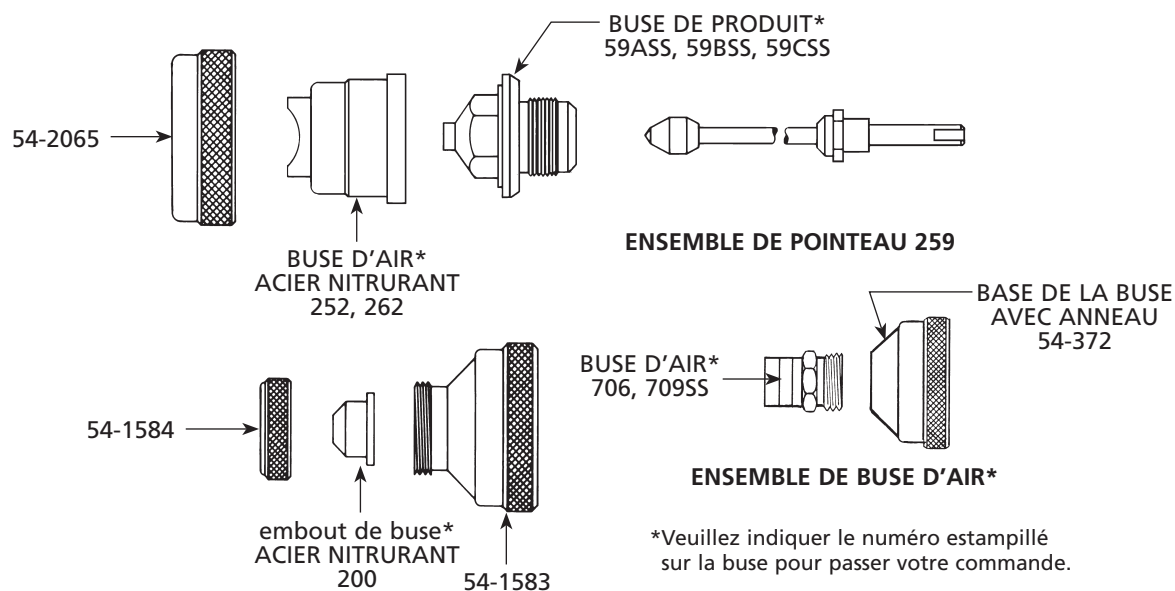


TABLEAU DE SÉLECTION DES BUSES ET POINTEAUX POUR MODÈLE 21

TYPE DE PRODUIT À PULVÉRISER	PRODUIT X BUSES D'AIR	POINTEAU À PRODUIT	NUMÉRO DE PIÈCE DE PISTOLET	PI3/MIN À 30 PSI (2 BARS)	PI3/MIN À 50 PSI (3,4 BARS)	PI3/MIN À 70 PSI (4,8 BARS)	JET MAX À 8 PO
<b>FAIBLE VISCOSITÉ, 5-25 CENTIPOISES</b> peintures primaires réactives, colorants, teintures, solvants, eau, encres, peintures d'impression, laques, lubrifiants, chromates de zinc, acryliques	63BSS X 63PB	263A	6220-2800-7	9,0	14,3	20,0	14
	66SS X 66SD	265	6220-4307-9	7,9	12,1	15,5	10,5
	63BSS X 21MD-1	263A	6220-2821-1	8,5	12,2	15,9	14
	63CVT X 66PH	263CVT	6235-3206-3	8,0	11,8	15,2	11
	66SS X 66SK	265	*	11,0	15,2	19,5	13
	63BSS X 200	263A	*	3,1	5,2	6,4	12
<b>VISCOSITÉ MOYENNE, 25-70 CENTIPOISES</b> vernis synthétiques, vernis, gommes laques, matières de remplissage, peintures primaires réactives, peintures époxy, uréthanes, lubrifiants, émulsions aqueuses de paraffine, peintures laquées	63BSS X 63PB	263A	6220-2800-7	9,0	14,3	20,0	14
	66SS X 66SD	265	6220-4307-9	7,9	12,1	15,5	10,5
	63BSS X 21MD-1	263A	6220-2821-1	8,5	12,3	15,9	14
	63BSS X 21MD-3	263A	6220-2821-3	8,4	12,2	15,7	15
	67VT X 21MD-2	267VT	6235-4921-2	9,6	14,0	18,1	17
	63CVT X 66PH	263CVT	6235-3206-3	8,0	11,8	15,2	11
	67VT X 67PB	267VT	6235-4909-5	9,5	14,1	19,1	12
	66SS X 66SK	265	*	11,0	15,2	19,5	13
<b>VISCOSITÉ ÉLEVÉE, 70-115 CENTIPOISES</b>	63BSS X 21MD-1	263A	6220-2821-1	8,5	12,3	15,9	14
	63BSS X 21MD-3	263A	6220-2821-3	8,4	12,2	15,7	15
	68SS X 709SS	268	6220-5123-7	4,3	6,9	8,9	6
	67VT X 21MD-2	267VT	6235-4921-2	9,6	14,0	18,1	17
	67VT X 67PB	267VT	6235-4909-5	9,5	14,1	19,1	12
	68SS X 68PB	268	*	9,5	14,1	19,1	12
<b>VISCOSITÉ TRÈS ÉLEVÉE, &gt;115 CENTIPOISES</b> revêtement texturé, peinture de signalisation routière	59BSS X 252	259	6220-8118-5	7,8	11,5	15,2	6
	59CSS X 262	259	6220-8219-1	7,3	11,0	14,7	6
	68SS X 68PB	268	*	9,5	14,1	19,1	12
<b>ADHÉSIFS</b> colles vinyles en phase aqueuse, base de solvant, néoprènes, adhésif de contact	66SS X 66SD-3	265	6220-4308-2	7,9	12,1	16,2	10
	63BSS X 66SD-3	263	*	7,9	12,1	16,2	4
<b>AGENT DE DÉMOULAGE</b>	63BSS X 63PB	263A	6220-2800-7	9,0	14,3	20,0	14
<b>CÉRAMIQUES</b> matériaux de type abrasif, glaci, engobes, émail vitrifié	67VT x 21MD-2	267VT	6235-4921-2	9,6	14,0	18,1	17
	67VT X 67PB	267VT	6235-4909-5	9,5	14,1	19,1	12
	68VT X 68PB	268VT	*	9,5	14,1	19,1	12
<b>AGENTS DE DURCISSEMENT DU BÉTON</b>	66SS X 200	265	*	3,1	5,2	6,4	15
<b>PEINTURES MULTICOLORES</b>	66SS X 200	265	*	3,1	5,2	6,4	15
<b>REVÊTEMENTS ANTIADHÉSIFS</b>	63BSS X 63PB	263A	6220-2800-7	9,0	14,3	20,0	14
	66SS X 66SD	265	6220-4307-9	7,9	12,1	15,5	10,5
	63BSS X 21MD-1	263A	6220-2821-1	8,5	12,3	15,9	14
	63CVT X 66PH	263CVT	6235-3206-3	8,0	11,8	15,2	11
<b>MARTELÉS</b>	66SS X 66SD	265	6220-4307-9	7,9	12,1	15,5	10,5
	66SS X 63PB	265	*	9,0	14,3	-	9,0
<b>ÉMAUX FINI GIVRÉ</b>	66SS X 63PB	265	*	9,0	14,3	20,0	10,0
<b>REVÊTEMENTS RICHES EN ZINC</b>	67VT x 21MD-2	267VT	6235-4921-2	9,6	14,0	18,1	17
	67VT X 67PB	267VT	6235-4909-5	9,5	14,1	19,1	12

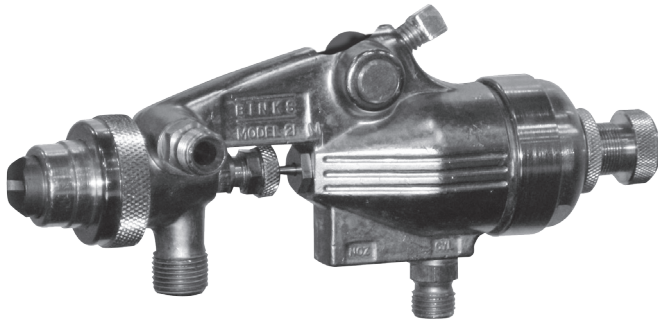
Réglages pour produits vitrifiés/abrasifs (pointeaux et buse de produit en carbure de tungstène).

\*Réglages disponibles en pièces détachées uniquement.

200, 709SS, 252, et 262 sont des chapeaux pour mélange d'air interne.

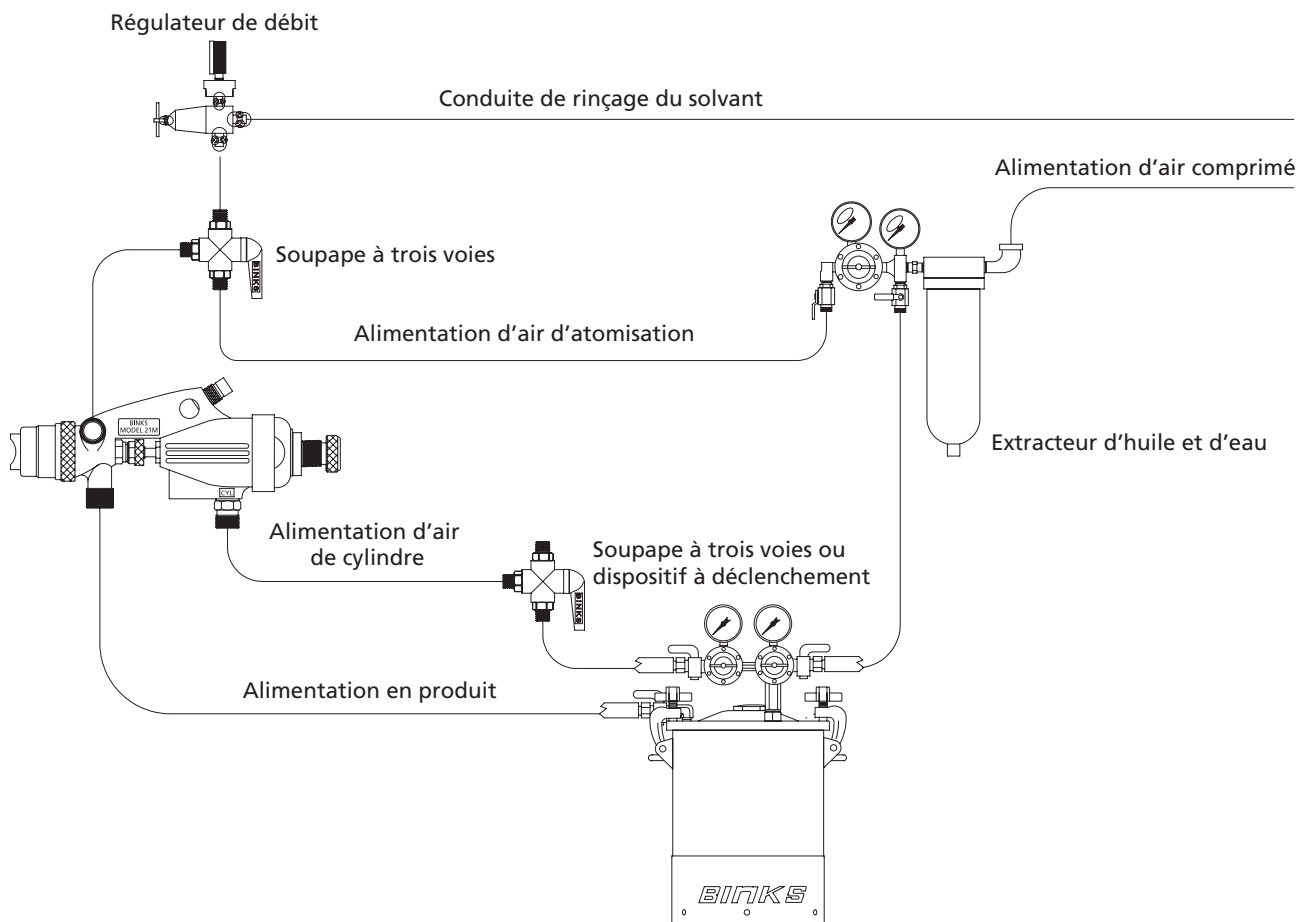
# PISTOLET PULVÉRISATEUR AUTOMATIQUE BINKS, MODÈLE 21M

## (6219-8219-1)



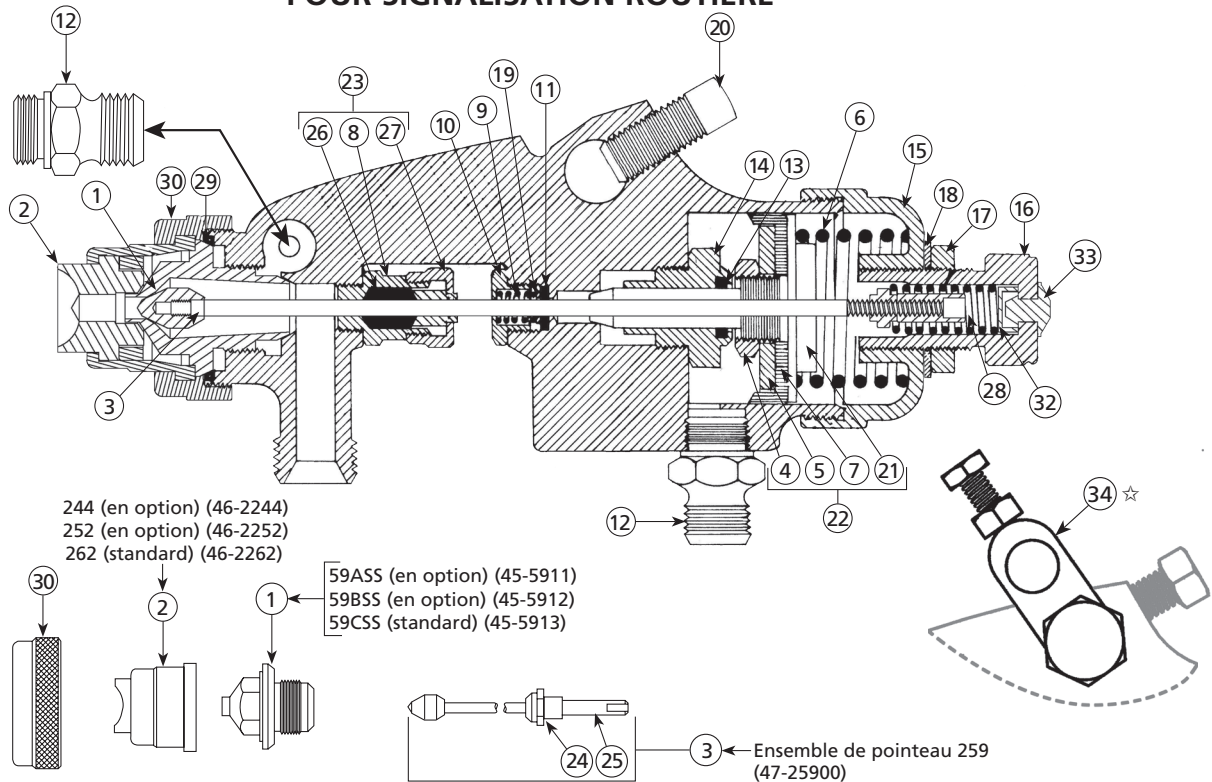
Le modèle 21M Binks est prévu pour fonctionner dans des environnements difficiles, à la fois à l'intérieur et à l'extérieur du pistolet. Le pistolet pulvérisateur 21M Binks est conçu pour n'importe quel processus de traçage de ligne. Le chapeau d'air à mélange interne maintient un jet de pulvérisation précis alors que la soupape de commande d'écoulement de l'air assure que le produit est pulvérisé uniquement à l'endroit et au moment voulus. Le modèle standard comporte un orifice de 0,281 po pour les produits à viscosité élevée et un chapeau d'air capable de pulvériser un jet pouvant atteindre jusqu'à 7 po.

Le modèle 21M a la capacité de rincer rapidement les buses d'air et de produit, ce qui le rend parfait pour les camions de traçage de lignes. Le diagramme ci-dessous illustre l'installation requise pour un rinçage rapide.





## PISTOLET PULVÉRISATEUR AUTOMATIQUE BINKS MODÈLE 21M (CORPS EN LAITON) POUR SIGNALISATION ROUTIÈRE



### LISTE DES PIÈCES DE RECHANGE

Indiquez le numéro de la pièce pour passer votre commande.

ARTICLE	PIÈCE	DESCRIPTION	QTÉ.	ARTICLE	PIÈCE	DESCRIPTION	QTÉ.
N°	N°			N°	N°		
1	45-5913	BUSE DE PRODUIT 59CSS (Standard) ...	1	19	54-334-5	FOULOIR DE GARNITURE ... (Trousse de 5)	1
2	46-2262	BUSE D'AIR 262 (Standard).....	1	20	54-335	VIS DE CALAGE .....	1
3	47-25900	ENSEMBLE SOUPAPE DE POINTEAU 259....	1	21	54-337▲	SOUPAPE .....	1
4	54-232▲	ÉCROU.....	1	22	54-495	ENSEMBLE DE PISTON.....	1
5	54-233▲	RONDELLE.....	1	23	54-496	ENSEMBLE DE BOÎTE À GARNITURE	1
6	54-236	RESSORT DE PISTON.....	1	24	54-542	CONTRE-ÉCROU (Pièce de l'article n° 3) ....	1
7	54-261▲	PISTON .....	1	25	54-763	CONTRE-ÉCROU (Pièce de l'article n° 3) ...	1
8	54-302●	ÉTANCHÉITÉ.....	1	26	2-28-5●	GARNITURE..... (Trousse de 5)	1
9	54-304-5	RESSORT..... (Trousse de 5)	1	27	54-765●	ÉCROU.....	1
10	54-306	ÉCROU DE PRESSE-ÉTOUPE.....	1	28	54-839	RESSORT DE SOUPAPE DE POINTEAU....	1
11	54-307-5	GARNITURE..... (Trousse de 5)	1	29	54-918-5	JOINT DE BUSE D'AIR ..... (Trousse de 5)	1
12	54-308	RACCORD D'AIR .....	2	30	54-2065	ANNEAU DE BLOCAGE.....	1
13	54-310-5	GARNITURE..... (Trousse de 5)	1	31	OMX-88	BROSSE (Non illustrée) .....	1
14	54-312	GUIDE.....	1	32	54-6001	ESPACEUR Ressort .....	1
15	54-321	BONNET .....	1	33	54-5522	SOUPAPE Parapluie.....	1
16	54-6003■	VIS DE RÉGLAGE.....	1	34 ☆	54-6004	(OPTION) SUPPORT de montage.....	1
17	54-323	CONTRE-ÉCROU DE LA VIS DE RÉGLAGE..	1	35	54-4270	(OPTION) COUVERTURE DE BUSE....	1
18	54-324	RONDELLE.....	1				

▲ Pièce de l'ensemble de piston 54-495.

● Pièce de l'ensemble de boîte à garniture 54-496.

■ Comprend l'article 33.

Clé à pistolet, 5-476 recommandée pour la dépose de la buse de produit. Veuillez commander séparément.

☆ Permet de changement pistolet facile tout en conservant l'alignement du pistolet.

Aucune trousse de réparation disponible. Veuillez commander séparément.

---

## WARRANTY POLICY

Binks products are covered by Carlisle Fluid Technologies one year materials and workmanship limited warranty. The use of any parts or accessories, from a source other than Carlisle Fluid Technologies, will void all warranties. For specific warranty information please contact the closest Carlisle Fluid Technologies location listed below.

Carlisle Fluid Technologies reserves the right to modify equipment specifications without prior notice. DeVilbiss®, Ransburg®, MS®, BGK®, and Binks® are registered trademarks of Carlisle Fluid Technologies, Inc. ©2016 Carlisle Fluid Technologies, Inc. All rights reserved.

---



Binks is part of Carlisle Fluid Technologies, a global leader in innovative finishing technologies. For technical assistance or to locate an authorized distributor, contact one of our international sales and customer support locations.

### USA/Canada

info@carlisleleft.com  
Tel: 1-888-992-4657  
Fax: 1-888-246-5732

### Mexico

ventas@carlisleleft.com.mx  
Tel: 011 52 55 5321 2300  
Fax: 011 52 55 5310 4790

### Brazil

vendas@carlisleleft.com.br  
Tel: +55 11 5641 2776  
Fax: 55 11 5641 1256

### United Kingdom

info@carlisleleft.eu  
Tel: +44 (0)1202 571 111  
Fax: +44 (0)1202 573 488

### France

info@carlisleleft.eu  
Tel: +33(0)475 75 27 00  
Fax: +33(0)475 75 27 59

### Germany

info@carlisleleft.eu  
Tel: +49 (0) 6074 403 1  
Fax: +49 (0) 6074 403 281

### China

mkt@carlisleleft.com.cn  
Tel: +8621-3373 0108  
Fax: +8621-3373 0308

### Japan

overseas-sales@carlisleleft.co.jp  
Tel: 081 45 785 6421  
Fax: 081 45 785 6517

### Australia

sales@carlisleleft.com.au  
Tel: +61 (0) 2 8525 7555  
Fax: +61 (0) 2 8525 7575

For the latest information about our products, visit [www.carlisleleft.com](http://www.carlisleleft.com).

