

SPECIFICATIONS

FLUID : air or neutral gas, filtered,
lubricated (G 3/8) or not (G 1/4)
PORTS : G 1/4 - G 3/8
PRESSURE : 0 to 10 bar
TEMPERATURE : - 25°C to + 60°C
FLOW (Qv at 6 bar) : see table below

CONSTRUCTION

series 551

Environmentally-protected construction
Body G 1/4, treated aluminium
Internal parts: zinc diecasting, steel, stainless steel, acetal (POM)
Sealings: nitrile (NBR) and polyurethane (PUR)

series 552

Body G 3/8, in light alloy
Internal parts: stainless steel, light alloy
Sealings: nitrile (NBR)



1 = Pressure
2,4 = Outlets
3,5 = Exhausts

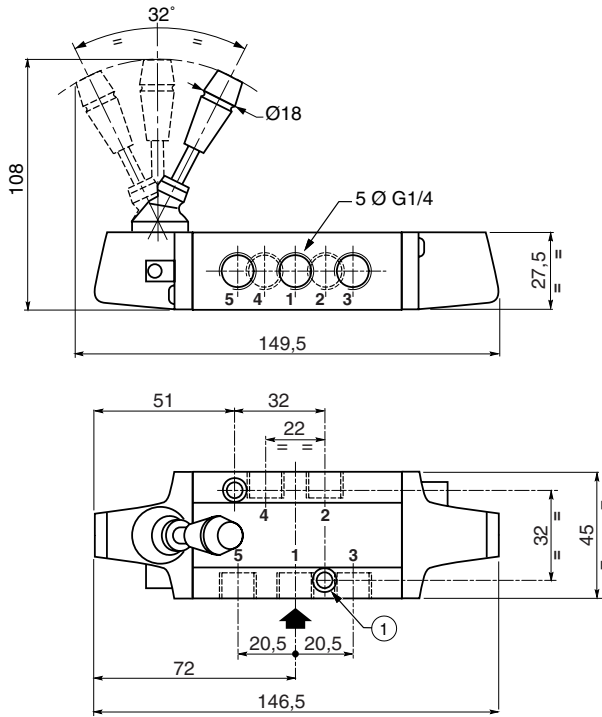
CHOICE OF EQUIPMENT

	Symbols functions	Operators	Ø ports	Flow at 6 bar l/min (ANR)	CODES
5/3 closed position (W1)		Lever 3 positions detented (W1)	G 1/4	760	55102096
			G 3/8	1610	55200038
		Lever 3 positions spring to centre (W1)	G 1/4	760	55102097
			G 3/8	1610	55200039
5/3 open position to exhaust (W3)		Lever 3 positions detented (W3)	G 1/4	760	55102098
		Lever 3 positions spring to centre (W3)	G 1/4	760	55102099

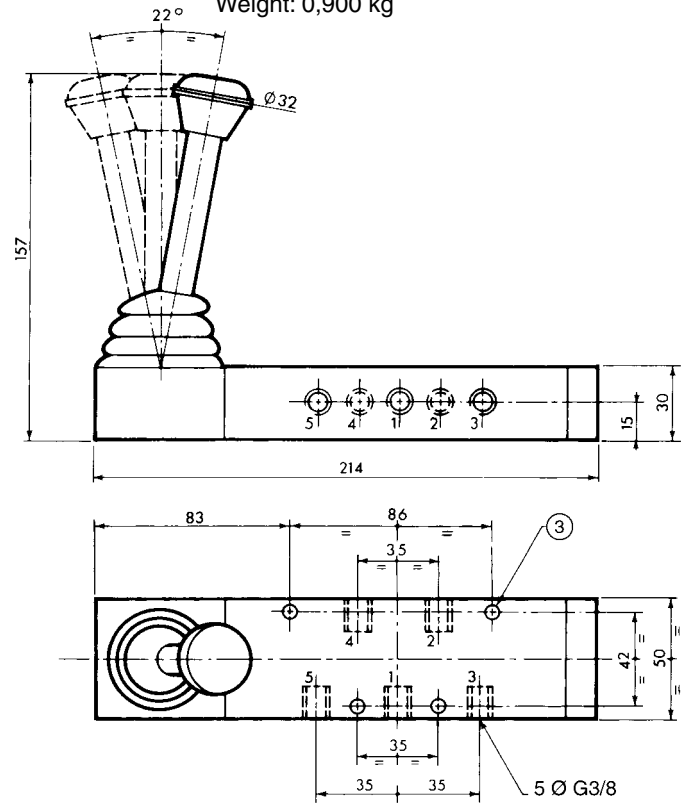
G

DIMENSIONS AND WEIGHTS
VALVE LEVER OPERATED

Series 551: ports G 1/4
Weight: 0,510 kg



Series 552 : ports G 3/8
Weight: 0,900 kg



- ① 2 fixing holes: Ø 5,3 - counterbore : Ø 9, depth 5
- ③ 4 fixing holes: Ø 5,5