

LED Switch Position Indicators and LED Lights

SUS-01

SUS-02

SUS-95

SUS-99

new SUS-48

CSL-99



Application

Switch position indicators and lights are used to indicate the switching state in electrical installations.

The **SUS-01/02/48/95/99/99-GS** switch position indicators and the **CSL-99** lights are equipped with LEDs in various colors. They can be used for operation in mimic circuit diagrams of switch gears as well as in measuring and control panels.

Type	Round	Square	LED Test	Bar LEDs	Front size
SUS-01	*	Q	T	—	25 mm
SUS-02	*	Q	T	—	20 mm
SUS-95	*	Q	—	L	39 mm
SUS-99	*	Q	—	L	32 mm
SUS-99-GS	*	—	—	—	30 mm
SUS-48	*	Q	—	—	48 mm
CSL-99	*	—	—	—	28 mm

Functional Principle

Colored LEDs are energized by various terminals.

Mechanical Data

connection	SUS-01/02/95/99	SUS-48/48Q	SUS ... T		
	CSL-99		connector blades		
	max. 1.5 mm ²	max. 2.5 mm ²	2.8x0.8x7.0		
enclosure code	SUS/CSL ...	SUS-48/48Q	SUS ... T		
case	IP 65	IP 54	IP 54		
terminals	IP 20	IP 20			
mounting hole	SUS-01/48/95/99, CSL-99		SUS-02		
	ø 22 mm		ø 16 mm		
hole distance	SUS-01	SUS-02	SUS-95	SUS-99	CSL-99
min.	30 mm	25 mm	40 mm	33 mm	31 mm
panel thickness	SUS ...		SUS-48/48Q/CSL-99		
max.	12 mm		10 mm		

Electrical Data

SUS/CSL ...

Rated voltage	AC	DC	Suppression of inductive surge voltages (optional)
12 V	x	x	—
24 V	x	x	—
48 V	x	x	—
60 V	x	x	up to 30 V
110 V	x	x	up to 30 V or up to 60 V
125 V	x	x	up to 30 V or up to 60 V
220 V	—	x	up to 30 V, up to 60 V, or up to 100 V
230 V	x	—	up to 30 V (standard), up to 60 V, or up to 120 V

other voltages on request

rated current max. 20 mA each input

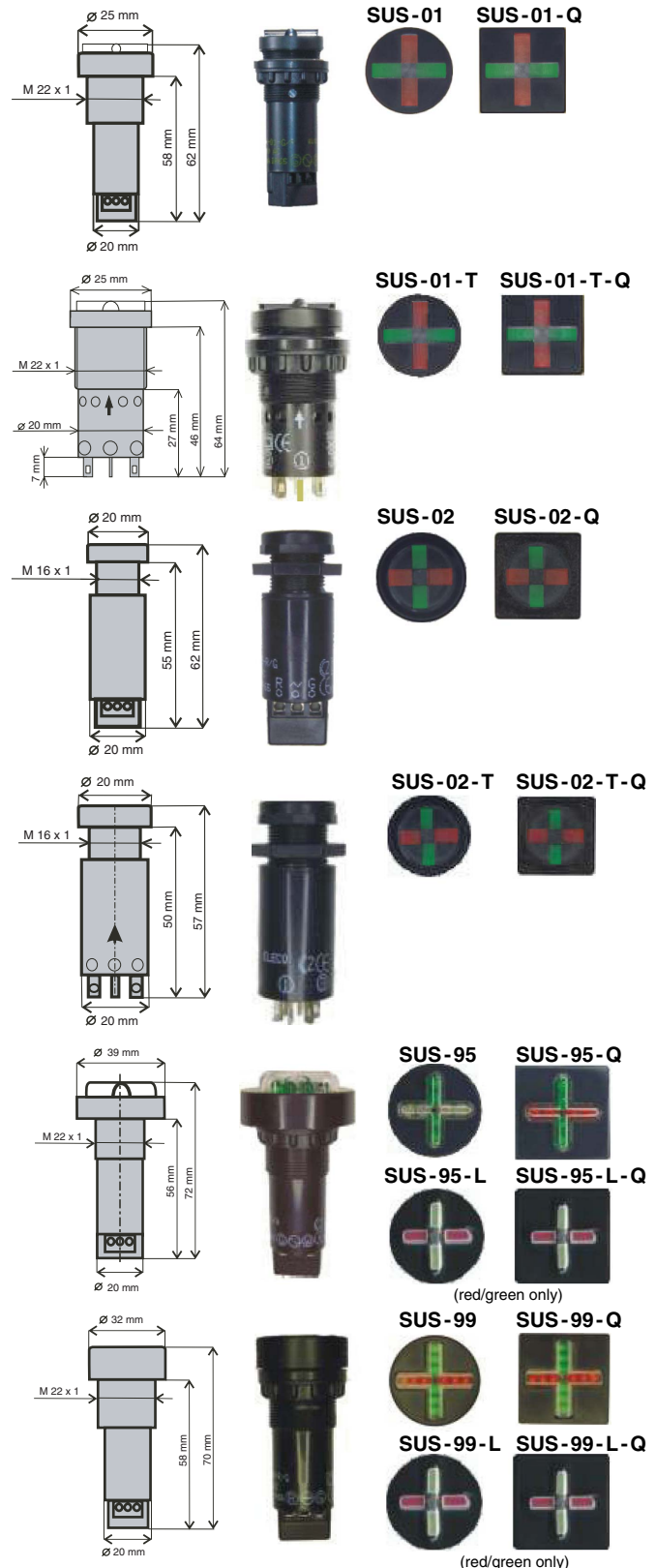
SUS-48/48Q

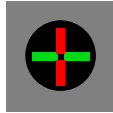
Rated voltage/	24 V AC/DC, 15 ... 20 mA
current consumption	48 V AC/DC, 15 ... 20 mA
each input	130 V AC/DC (110 ... 130 V), 15 ... 20 mA
	220 V DC, 9 mA
	240 V AC, 15 mA

Indication

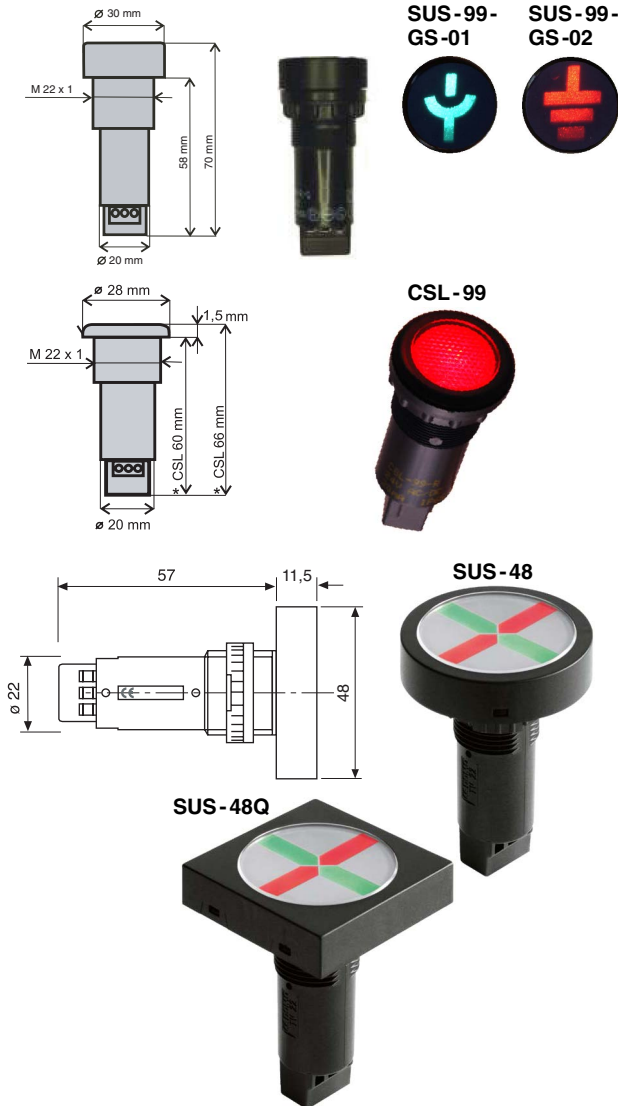
illumination colors	single color or combinations of red, green, blue, white, yellow, orange
illumination strength	depends on the LEDs used
life time	min. 100,000 hours

Models/Dimensions



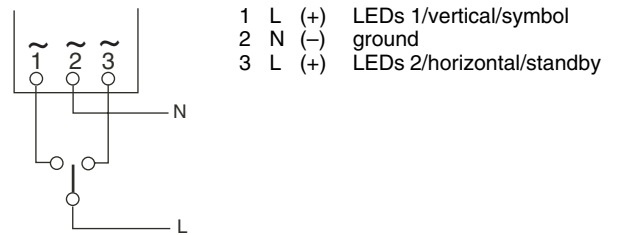


LED Switch Position Indicators and LED Lights

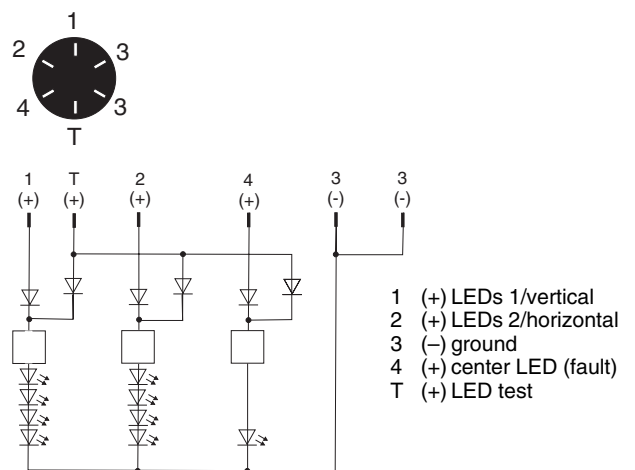


Terminals/Connections

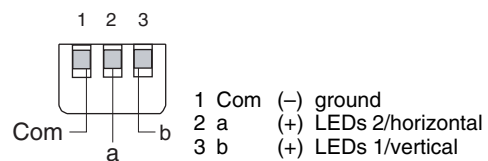
SUS-01/02/95/99/99-GS, CSL-99



SUS-01/02-T



SUS-48/48Q



Environmental

working temperature	SUS/CSL ... -25 ... +60° C	SUS-48/48Q -20 ... +60° C
---------------------	--------------------------------------	-------------------------------------

Rules and Standards

EN 61 010-1	Safety requirements for electrical measuring, control and laboratory equipment – Part 1: General requirements
EN 60598-1	Luminaires – Part 1: General requirements and tests
EN 60598-2-2	Luminaires – Part 2–2: Particular requirements – Recessed luminaires

Options

flashing LEDs

Ordering Information

Type	LED Switch Position Indicator	
SUS-01	round, ø 25 mm	
SUS-01-Q	square, 25 mm x 25 mm	
SUS-01-T	round, ø 25 mm, with LED test	
SUS-01-T-Q	square, 25 mm x 25 mm, with LED test	
SUS-02	round, ø 20 mm	
SUS-02-Q	square, 20 mm x 20 mm	
SUS-02-T	round, ø 20 mm, with LED test	
SUS-02-T-Q	square, 20 mm x 20 mm, with LED test	
SUS-95	round, ø 39 mm	
SUS-95-Q	square, 39 mm x 39 mm	
SUS-95-L	round, ø 39 mm, with bar LEDs	
SUS-95-L-Q	square, 39 mm x 39 mm, with bar LEDs	
SUS-99	round, ø 32 mm	
SUS-99-Q	square, 32 mm x 32 mm	
SUS-99-L	round, ø 32 mm, with bar LEDs	
SUS-99-L-Q	square, 32 mm x 32 mm, with bar LEDs	
SUS-99-GS-01	round, ø 30 mm, with interruption symbol and standby LED	
SUS-99-GS-02	round, ø 30 mm, with grounding symbol and standby LED	
SUS-48	round, ø 48 mm	
SUS-48-Q	square, 48 mm x 48 mm	
CSL-99	round, ø 28 mm	
LEDs1/vertical¹⁾ / LEDs2/horizontal¹⁾ / Center LED²⁾		
R red	R red	R red
G green	G green	G green
B blue	B blue	B blue
W white	W white	W white
Y yellow	Y yellow	Y yellow
O orange	O orange	O orange
xF flashing ³⁾	xF flashing ³⁾	–
Voltage	Voltage type	Suppression of inductive surge voltages ⁵⁾
		min. max.
12 12 V ⁵⁾	AC or DC	– –
24 24 V	AC or DC	– –
48 48 V	AC or DC	– –
60 60 V ⁵⁾	AC or DC	– P30 up to 30 V
110 110 V ⁵⁾	AC or DC	P30 P60 up to 60 V
125 125 V	AC or DC	P30 P60 up to 60 V
220 220 V	DC only	P30 P100 up to 100 V
230 230 V	AC only	P30 ⁴⁾ P120 up to 120 V
xx other voltage on request		

¹⁾ for **SUS-95/99-L** only red and/or green, **SUS-48/48Q** green/red only

²⁾ **SUS-01/02-T** only

³⁾ optional, not for **SUS-01/02-T**

⁴⁾ standard with voltage 230 V AC

⁵⁾ not for **SUS-48/48Q**

Ordering example

SUS-02-T-Q-R/G-230 AC P60

LED switch position indicator, square, 20 mm x 20 mm, with LED test, red/green, 230 V AC, with suppression of inductive surge voltages up to 60 V

SUS-01-RF/G-230AC LED switch position indicator, round, ø 25 mm, red flashing/green, 230 V AC

Weigel Meßgeräte GmbH

Postfach 720 154 • 90241 Nürnberg • Phone: 0911/42347-0
 Erlenstraße 14 • 90441 Nürnberg • Fax: 0911/42347-39
 Sales: Phone: 0911/42347-94
 Internet: <http://www.weigel-messgeraete.de>
 e-mail: vertrieb@weigel-messgeraete.de

– specifications subject to change without notice; date of issue 08/16 –

