

# VERSATILE LIMITSWITCH



PROFIBUS<sup>®</sup>

DEVICENET<sup>®</sup>

CANOPEN<sup>®</sup>

ASI<sup>®</sup>



EC94/9  
ATEX



**ROTEX**  
CONTROLS, INC.

# VERSATILE LIMITSWITCH



## Limit Switch Ordering Code Options

Series	Switch	Qty. Switches	Conduit Entry		Body/Cover	Bracket	Certificates			
DXLW Weatherproof		1	Entry	Threads	DXLW	DNLF	B	Aluminum-Black	U	CU <sub>L</sub> , UL <sub>L</sub>
		2	4R	½" NPT	*	✓	Y	Aluminum-Yellow	C	CE
DNLF Explosion Proof			6R	¾" NPT	x	*	L	Aluminum-Blue	A	ATEX
			3M	M20X1.5	✓	✓	B5	CF8M Stainless Steel	CM	CMRI
								CC	CMRI CCOE	

CODE	MAKE	TYPE
1A	Honeywell	SPDT Mech, AC/DC, 10A
11A	Honeywell	SPDT Mech, AC/DC, 15A
2A	P & F	Prox - IS, DC, 8mA
12A	P & F	Prox - IS, DC, 100mA
22A	P & F	Prox - Non IS, DC, 100mA, LED
32A	P & F	Prox - Non IS, DC, 100mA
42A	P & F	Prox - Non IS, AC, 200mA
2C	Ifm	Prox - IS, DC, 8 mA
12C	Ifm	Prox - Non IS, DC, 150mA, LED
3A	P & F	Prox - IS, DC, 3 mA
13A	P & F	Prox - Non IS, DC, 100mA
3C	Ifm	Prox - Non IS, DC, 200mA
13C	Ifm	Prox - IS, DC, 8mA
23C	Ifm	Prox - Non IS, AC/DC, 100 mA
5A	Honeywell	DPDT Mech, AC/DC, 10A
15A	Honeywell	DPDT Mech, AC/DC, 15A
5B	Cherry	DPDT Mech, AC/DC, 5A
15B	Cherry	DPDT Mech, AC/DC, 15A
6A	Hermitic	Sealed Prox, AC/DC, 2A
16A	Hermitic	Sealed Prox, AC/DC, 2A

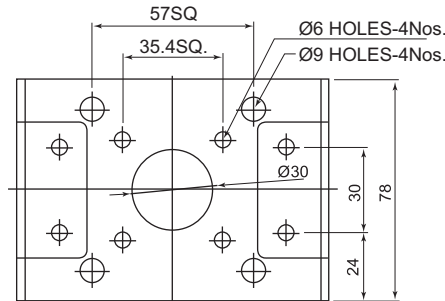
BKS1	SS 80 X 30 X 20mm
BKC1	CS 80 X 30 X 20mm
BKS2	SS 80 X 30 X 30mm
BKC2	CS 80 X 30 X 30mm
BKS3	SS 130 X 30 X 30mm
BKC3	CS 130 X 30 X 30mm
BKS4	SS 130 X 30 X 50mm
BKC4	CS 130 X 30 X 50mm

Standard Stock Items



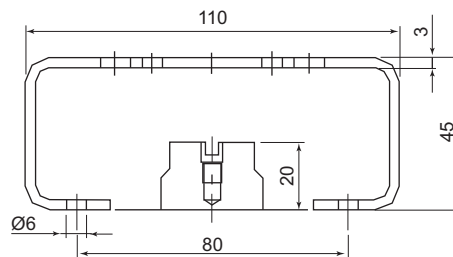
## Mounting Bracket Ordering Code Options

Brackets are supplied with fasteners for top and bottom, to fit standard actuator ISO threads.



### ISO-1 30mm X 80mm X 20mm

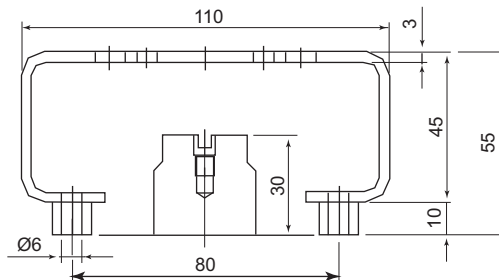
CODE	BRACKET MATERIAL
BKS1	304 SS
BKC1	STEEL, Powder Coated



Bracket for Rotex Actuator models ECV50 through ECV175

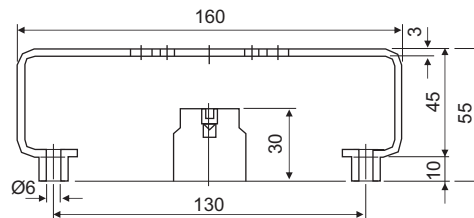
### ISO-2 30mm X 80mm X 30mm

CODE	BRACKET MATERIAL
BKS2	304 SS
BKC2	STEEL, Powder Coated



### ISO-3 30mm X 130mm X 30mm

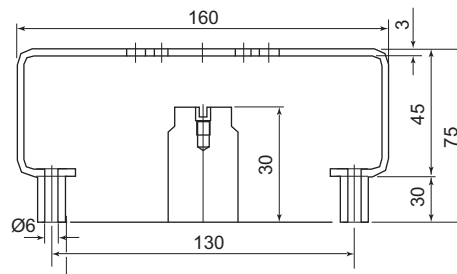
CODE	BRACKET MATERIAL
BKS3	304 SS
BKC3	STEEL, Powder Coated



Bracket for Rotex Actuator models ECV200 through ECV350

### ISO-4 30mm X 130mm X 50mm

CODE	BRACKET MATERIAL
BKS4	304 SS
BKC4	STEEL, Powder Coated



# VERSATILE LIMITSWITCH



## DNLF - Explosion Proof Switch Boxes To Enhance

## The Performance Of Valve Automation Systems



NEMA 4, 4X, 7 & 9 CLASS I, GROUP C & D,  
CLASS II, GROUP E, F & G, DIVISION 1 & 2



EC94/9 Ex d, IIC, T6  
EN/IS/IEC 60079-0,  
EN/IS/IEC 60079-1

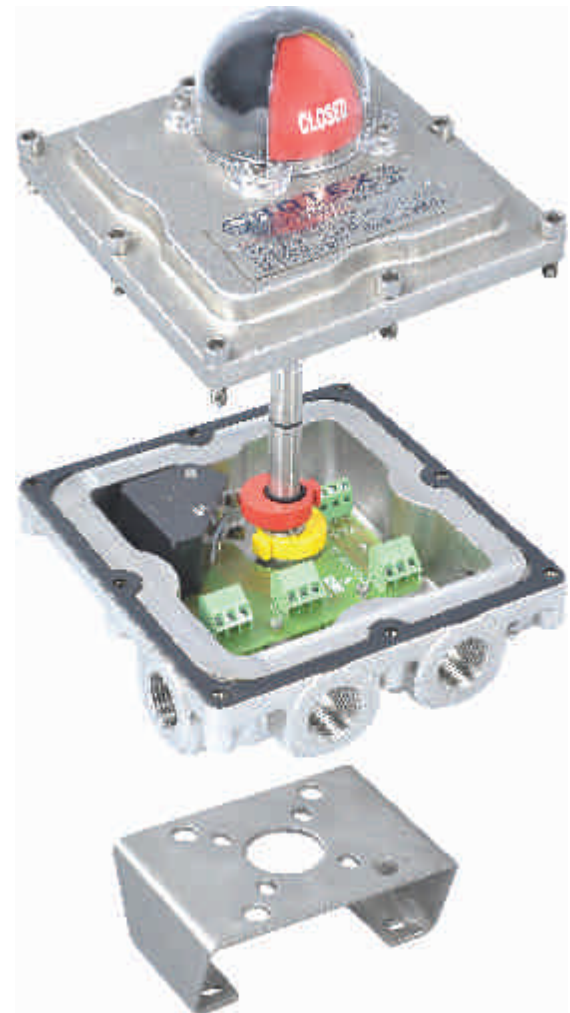


### FEATURES

- Stainless Steel CF8M housing
- Shatterproof Polycarbonate Dome
- Easily settable colour coded cam
- The locked Serrated cams, ensures the secured settings against any vibration
- The switch box confirms to Ex d IIC, T6 Highest level of safety
- Cable entry M20, 1/2" NPT or 3/4" NPT
- A special PCB, eliminates all the wiring from the switch element to the terminals. Complete protection against short circuit.
- All fasteners in stainless steel
- Additional mounting hole is threaded as per the UNC series
- ATEX, certified by Baseefa United Kingdom Certification no. Baseefa09ATEX0126
- UL Certified confirms to file no. UI1203 and UL508, File no. 246615
- Temperature range -20 °C to +80 °C  
On request -40 °C to +80 °C, -60 °C to +80 °C, -20 °C to +120 °C
- Cable entry  
Dual cable entry  
Optional 4 cable entry
- IP 67 : Water, Rain and Dust Proof
- IP 68 : Upto 100m on request

### DOMES

Unique "two piece" dome arrangement. The black plastic makes the transparent dome an integral part. This ensure an extra long life



Standard dome



3 Way dome

Only 90° segment is transparent  
rest all 270° is black

## DXLW1-Weather Proof SPDT Mechanical Switch



### FEATURES

- Aluminum die cast enclosure, powder coated for superior corrosion resistance
- Weather proof enclosure to IP67
- Enclosure Certified by UL to UL508, File No. E249752
- Poly carbonate Dome, Shatterproof
- Red and Yellow Indicator
- Color coded cams easy to identify, and easy to set
- Serrated cams locked together ensures adjusted settings secured against any vibration
- Special circuit board eliminates internal wiring
- Circuit board laminated for complete corrosion protection
- Solenoid termination inside the switch box is standard
- Three conduit entries provided as standard
- Conduit entry options : ½" NPT, M20X1.5
- Complies to Namur mounting standard
- Temperature range 4°F to 146°F
- Bracket available as option



### ORDERING OPTIONS

Series	Switch	Qty. Switches	Conduit Entry		Body/Cover		Bracket	Certificates	
DXLW		1	4R	½" NPT	B	Aluminum-Black		U	CU <sub>L</sub> , UL <sub>L</sub>
		2	3M	M20X1.5	Y	Aluminum-Yellow		C	CE
					L	Aluminum-Blue			
					B5	CF8M Stainless Steel			

CODE	MAKE	MODEL	RATING
1A	Honeywell	V5C010EN3D	10Amp 120 or 250 VAC, 220 VDC 50Hz/60Hz, NO/NC
11A	Honeywell	V7 1C17E9 201	15Amp 120 or 250 VAC, 220 VDC 50Hz/60Hz, NO/NC

Refer to Bracket Selection Page

### ORDERING EXAMPLE

- DXLW-1A2-4R-B-BKS1-U
- Weather proof switch box provided with (2) Honeywell 10 Amp switches, ½" NPT conduit entry, black enclosure. With stainless steel bracket suitable for 80X30 tapping and for 20mm pinion, UL approved.

# VERSATILE LIMITSWITCH

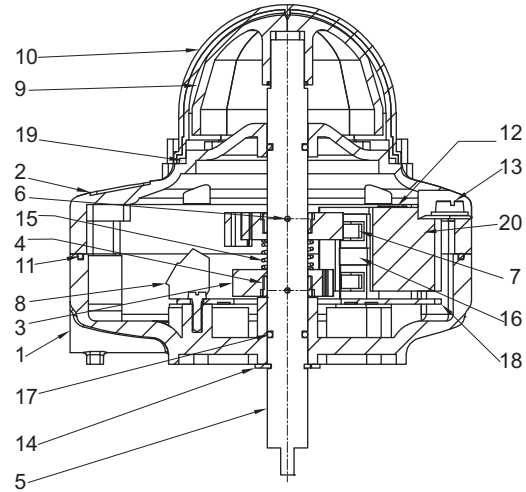


## DXLW1-Weather Proof SPDT Mechanical Switch

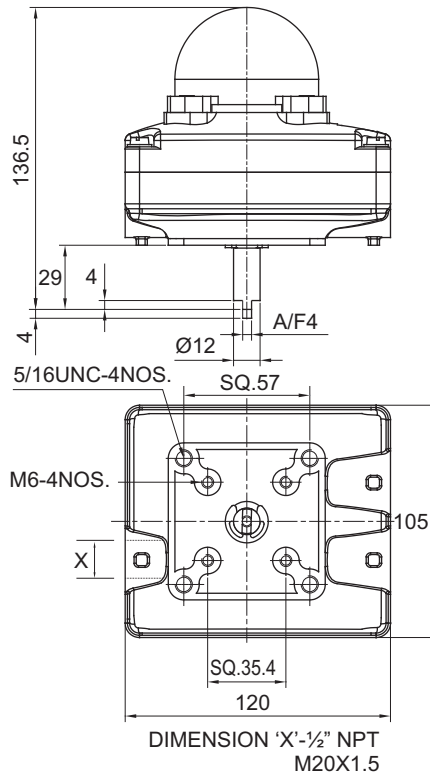
### MATERIAL OF CONSTRUCTION

20	COVER FOR MICROSWITCH	1	POLYAMIDE
19	'O'RING	1	NBR
18	CIRCUIT BOARD	1	-
17	'O'RING	1	NBR
16	PAD	1	POLYAMIDE
15	SPRING	1	STAINLESS STEEL
14	'E' TYPE CIRCLIP	1	SPRING STEEL
13	NON FALLING SCREW	4	STAINLESS STEEL
12	SCREW FOR MICROSWITCH	2	STAINLESS STEEL
11	GASKET	1	NBR
10	INDICATOR COVER	1	POLYCARBONATE
9	INDICATOR	1	ABS PLASTIC
8	THREE WAY TERMINAL BLOCK	4	-
7	MICROSWITCH (SPDT)	2	HONEYWELL/CHERRY
6	SPRING DOWEL	2	SPRING STEEL
5	SHAFT	1	STAINLESS STEEL
4	CAM-LOCK	2	DELRIN
3	CAM	2	POLYCARBONATE
2	COVER	1	ALUMINUM ALLOY LM-6
1	HOUSING	1	ALUMINUM ALLOY LM-6
S.NO.	DESCRIPTION	QTY.	MATERIAL

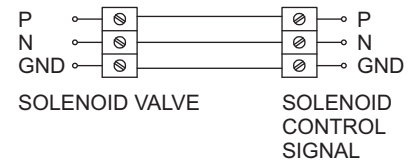
### CROSS SECTION



### DIMENSION DETAILS

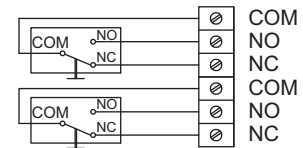


### WIRING DIAGRAM



Valve open    BOTTOM  
Yellow cam    SWITCH

Valve closed    TOP  
Red cam        SWITCH



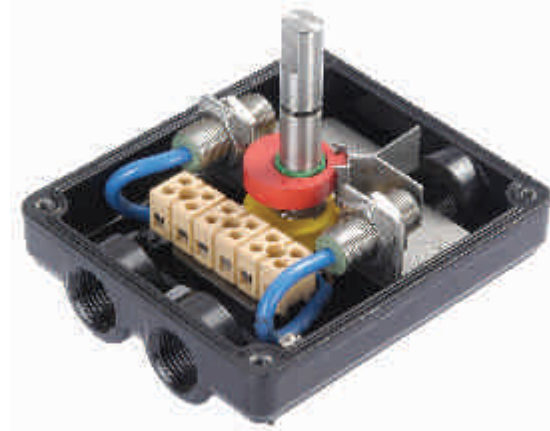
## DXLW2-Weather Proof Cylindrical Prox Switch

### With Option for Intrinsically Safe Switch



### FEATURES

- Intrinsically safe
- Cylindrical inductive proximity sensors (EExia)
- Aluminum die cast enclosure, powder coated for superior corrosion resistance
- Weather proof enclosure to IP67
- Switch box conforms to UL50S, UL File No. E249752
- Polycarbonate Dome, Shatterproof
- Red and Yellow Indicator
- Color coded cams easy to identify, and easy to set
- Solenoid termination inside the switch box is standard
- Serrated cams locked together ensures adjusted settings secured against any vibration
- Three conduit entries provided as standard
- Conduit entry options: ½" NPT, M20X1.5
- Complies to Namur mounting standard
- Temperature range 4°F to 146°F
- Bracket available as option



### ORDERING OPTIONS

Series	Switch	Qty. Switches	Conduit Entry		Body/Cover		Bracket	Certificates	
DXLW		1	4R	½" NPT	B	Aluminum-Black	Refer to Bracket Selection Page	U	CU <sub>L</sub> , UL <sub>L</sub>
		2	3M	M20X1.5	Y	Aluminum-Yellow		C	CE
					L	Aluminum-Blue			
					B5	CF8M Stainless Steel			

CODE	MAKE	MODEL	RATING
2A	P & F	NJ2 12 GMN	8 VDC, NC
12A	P & F	NCB2 12GMN35 NO	8V, 24V, 100 mA, NO IS
22A	P & F	NBN4 12GMN40 Z0	6V-24V, 100 mA, NO IS
32A	P & F	NCN4 12GMN35 NO	8 VDC, NC
42A	P & F	NJ4 12GM50 WO	220VAC 200mA 50/60Hz, NC
2C	Ifm	NF 5003	8 VDC, NC IS
12C	Ifm	IF 5718	24VDC, 150mA, NO/NC

### ORDERING EXAMPLE

- DXLW-12A2-4R-B-BKS1 U
- **UL** approved, Weather proof box provided with (2) PEPPERL+FUCHS switches, DC output, each with one NO, ½" NPT conduit entries, black enclosure. With Stainless Steel bracket suitable for 80X30 tapping and for 20mm pinion height.

# VERSATILE LIMITSWITCH

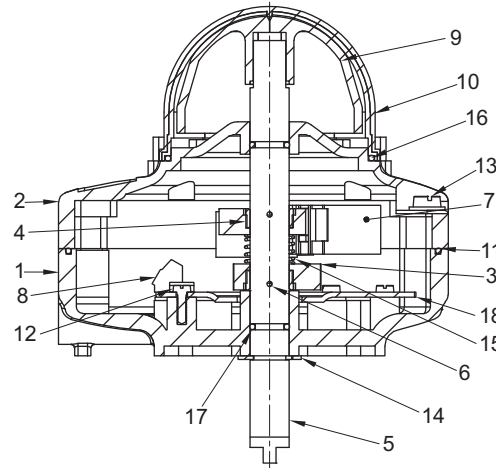


## DXLW2-Weather Proof Cylindrical Prox Switch

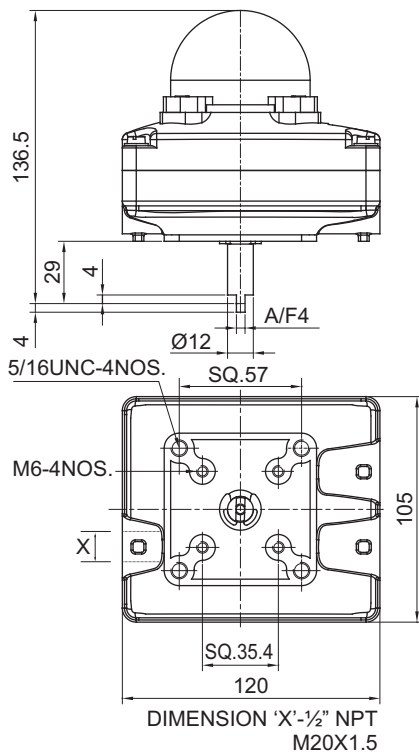
### MATERIAL OF CONSTRUCTION

20	COVER FOR MICROSWITCH	1	POLYAMIDE
19	O'RING	1	NBR
18	CIRCUIT BOARD	1	-
17	O'RING	1	NBR
16	PAD	1	POLYAMIDE
15	SPRING	1	STAINLESS STEEL
14	'E' TYPE CIRCLIP	1	SPRING STEEL
13	NON FALLING SCREW	4	STAINLESS STEEL
12	SCREW FOR MICROSWITCH	2	STAINLESS STEEL
11	GASKET	1	NBR
10	INDICATOR COVER	1	POLYCARBONATE
9	INDICATOR	1	ABS PLASTIC
8	THREE WAY TERMINAL BLOCK	4	-
7	PROXIMITY SENSOR	2	P & F, iFM
6	SPRING DOWEL	2	SPRING STEEL
5	SHAFT	1	STAINLESS STEEL
4	CAM-LOCK	2	DELTRIN
3	CAM	2	POLYCARBONATE
2	COVER	1	ALUMINUM ALLOY LM-6
1	HOUSING	1	ALUMINUM ALLOY LM-6
S.NO.	DESCRIPTION	QTY.	MATERIAL

### CROSS SECTION

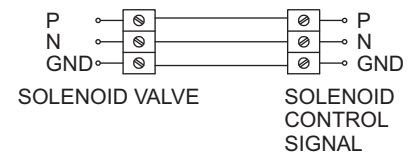


### DIMENSION DETAILS

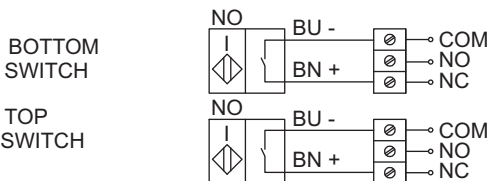


### WIRING DIAGRAM

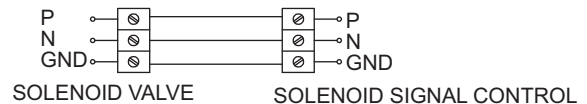
#### 2 WIRE PROXIMITY-NO



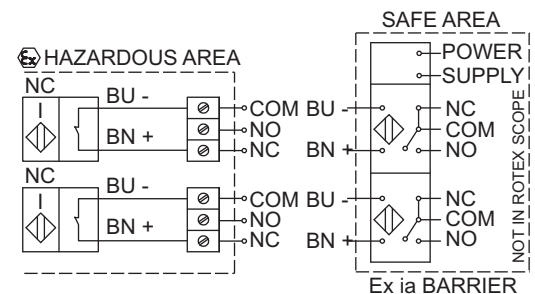
Valve open Yellow cam  
Valve closed Red cam



#### 2 WIRE PROXIMITY-NC



Valve open Yellow cam  
Valve closed Red cam





## DXLW3-Weather Proof Flat Type Prox Switch

### With Option for Intrinsically Safe Switch



### FEATURES

- Intrinsically safe
- Flat type inductive proximity sensors (EExia)
- Aluminum die cast enclosure, powder coated for superior corrosion resistance
- Weather proof enclosure to IP67
- Enclosure Certified by UL to UL50S, UL File No. E249752
- Polycarbonate Dome, Shatterproof
- Red and Yellow Indicator
- Color coded cams easy to identify, and easy to set
- Serrated cams locked together ensures adjusted settings secured against any vibration
- Special circuit board eliminates internal wiring
- Circuit board laminated for complete corrosion protection
- Solenoid termination inside the switch box is standard
- Three conduit entries provided as standard
- Conduit entry options: ½" NPT, M20X1.5
- Complies to Namur mounting standard
- Temperature range 4°F to 146°F
- Bracket available as option



### ORDERING OPTIONS

Series	Switch	Qty. Switches	Conduit Entry	Body/Cover	Bracket	Certificates
DXLW		1	4R ½" NPT	B Aluminum-Black		U CU <sub>L</sub> , UL <sub>L</sub>
		2	3M M20X1.5	Y Aluminum-Yellow		C CE
				L Aluminum-Blue		
				B5 CF8M Stainless Steel		

CODE	MAKE	MODEL	RATING
3A	P & F	NJ2 V3N	8 VDC, 3mA, NC IS
13A	P & F	NBB3 V3 Z4	10-60VDC, 100mA, NO
3C	lfm	IS 5026	24V, 200 mA, NO/NC
13C	lfm	NS 5002	8 VDC, NO/NC IS
23C	lfm	IN 0073	24VDC, 150mA, NO/NC

Refer to Bracket Selection Page

### ORDERING EXAMPLE

- DXLW-13A2-4RY-BKS1-U
- **UL** approved, Weather proof box provided with (2) PEPPERL+FUCHS flat switches, DC output, each with one NO, ½" NPT conduit entries, yellow enclosure. With Stainless Steel bracket suitable for 80X30 tapping and for 20mm pinion height.

# VERSATILE LIMITSWITCH

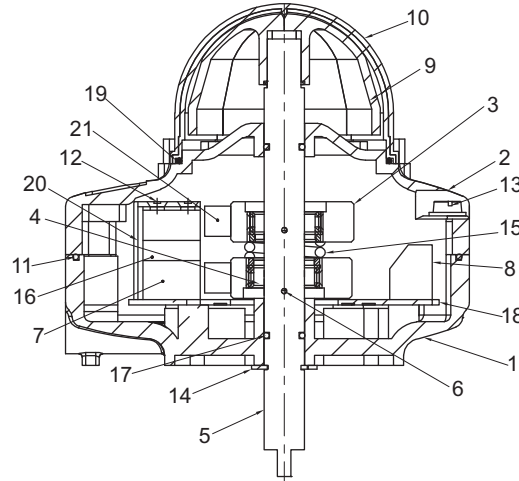


## DXLW3-Weather Proof Flat Type Prox Switch

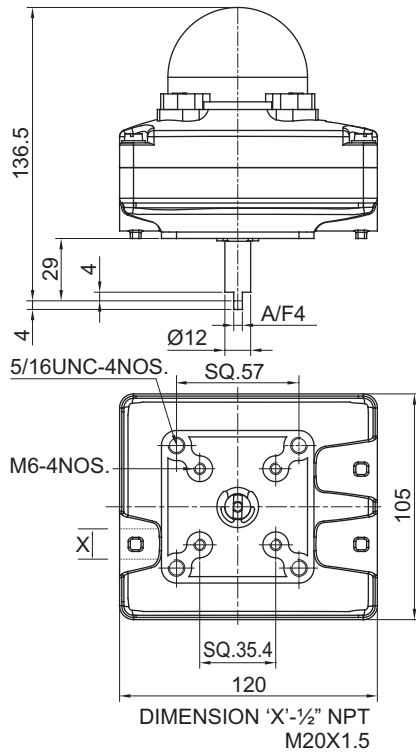
### MATERIALS OF CONSTRUCTION

22	PHILIPS HEAD SCREW	2	STAINLESS STEEL
21	CAP FOR SENSOR	2	STAINLESS STEEL
20	COVER FOR MICROSWITCH	1	POLYAMIDE
19	'O'RING	1	NBR
18	CIRCUIT BOARD	1	-
17	'O'RING	2	NBR
16	PAD	1	POLYAMIDE
15	SPRING	1	STAINLESS STEEL
14	'E' TYPE CIRCLIP	1	SPRING STEEL
13	NON FALLING SCREW	2	STAINLESS STEEL
12	SCREW FOR MICROSWITCH	2	STAINLESS STEEL
11	GASKET	1	NBR
10	INDICATOR COVER	1	POLYCARBONATE
9	INDICATOR	1	ABS PLASTIC
8	THREE WAY TERMINAL BLOCK	2	-
7	PROXIMITY SENSOR	2	P & F, iFM
6	SPRING DOWEL	2	SPRING STEEL
5	SHAFT	1	STAINLESS STEEL
4	CAM-LOCK	2	DELTRIN
3	CAM	2	POLYCARBONATE
2	COVER	1	ALUMINUM ALLOY LM-6
1	HOUSING	1	ALUMINUM ALLOY LM-6
S.NO.	DESCRIPTION	QTY.	MATERIAL

### CROSS SECTION

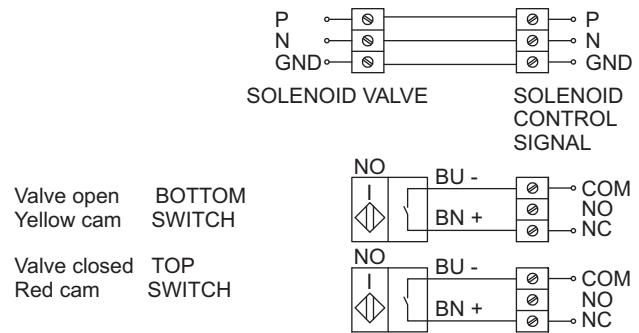


### DIMENSION DETAILS

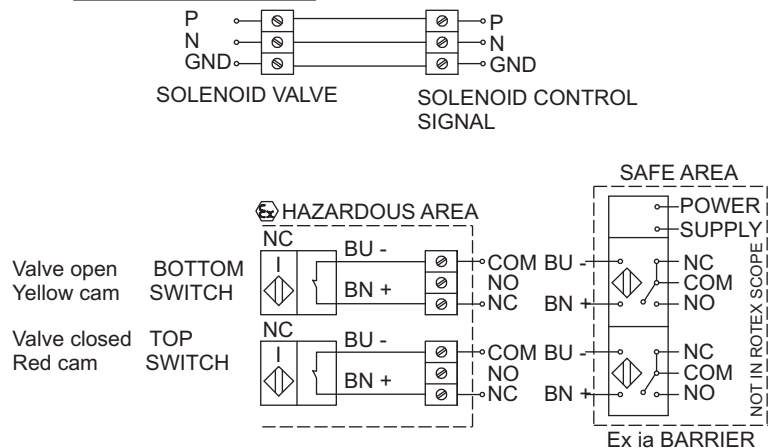


### WIRING DIAGRAM

#### 2 WIRE PROXIMITY-NO



#### 2 WIRE PROXIMITY-NC



## DNLF1-Explosion Proof SPDT Mechanical Switch



NEMA 4,  
4X, 7 & 9



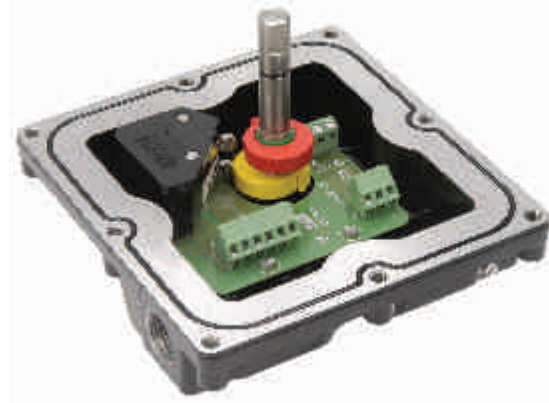
IP67,

EC94/9

ATEX

### FEATURES

- Explosion proof to I, IIA, IIB, and IIC
- Enclosure Certified by UL to UL 1203 and UL 508, File No. E246615
- Switch Box conforms to Ex D IIC, T6 highest level of safety
- ATEX Certified by CESI, Italy, Certification No. CESI 05 ATEX017
- Aluminum die cast enclosure, powder coated for superior corrosion resistance
- Weather proof enclosure to IP67
- Polycarbonate Dome, Shatterproof
- Red and Yellow Indicator
- Color coded cams easy to identify, and easy to set
- Serrated cams locked together ensures adjusted settings secured against any vibration
- Special circuit board eliminates internal wiring
- Circuit board laminated for complete corrosion protection
- Solenoid termination inside the switch box is standard
- Two conduit entries provided as standard
- Conduit entry options: ½" NPT, ¾" NPT, M20X1.5
- Complies to Namur mounting standard
- Temperature range 4°F to 146°F
- Bracket available as option



### ORDERING OPTIONS

Series	Switch	Qty. Switches	Conduit Entry		Body/Cover		Bracket	Certificates	
DNLF		1	4R	½" NPT	B	Aluminum-Black		U	CU <sub>L</sub> , UL <sub>L</sub>
			6R	¾" NPT	Y	Aluminum-Yellow		C	CE
		2	3M	M20X1.5	L	Aluminum-Blue		A	ATEX
					B5	CF8M Stainless Steel		CM	CMRI
							CC	CMRI CCDE	

CODE	MAKE	MODEL	RATING
1A	Honeywell	V5C010EN3D	10Amp 120 or 250 VAC, 220 VDC 50Hz/60Hz, NO/NC
11A	Honeywell	V7 1C17E9 201	15Amp 120 or 250 VAC, 220 VDC 50Hz/60Hz, NO/NC
1B	Cherry	D43 CQ1 RA	5Amp 125 or 250 VAC, 220 VDC NO/NC
11B	Cherry	D45 CQ1 RA	15Amp 125 or 250 VAC, 220 VDC NO/NC

Refer to Bracket  
Selection Page

### ORDERING EXAMPLE

- DNLF-1A2-6R-B-BKS1-U
- Explosion proof to I, II A and II B and Weather proof box provided with Honeywell 15 Amps switches 2 nos, each with one NO and one NC, ¾" NPT cable gland entry. With Stainless Steel bracket, 80X30 tapping, 20mm pinion height, UL approved.

# VERSATILE LIMITSWITCH

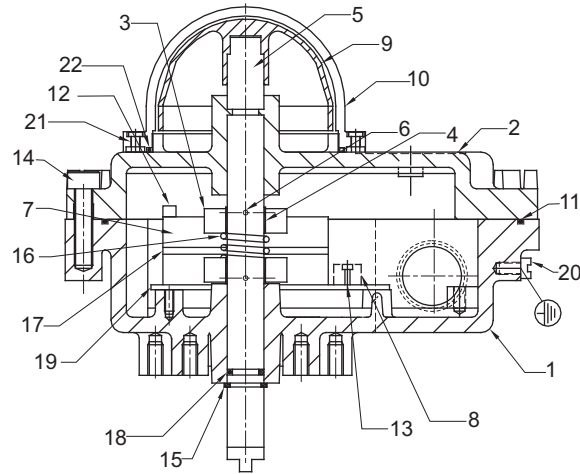


## DNLF1-Explosion Proof SPDT Mechanical Switch

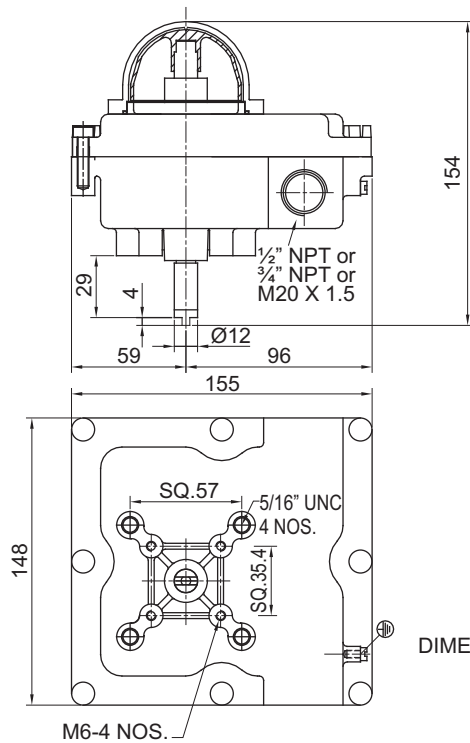
### MATERIAL OF CONSTRUCTION

22	'O'RING	1	NBR
21	PHILIPS HEAD SCREW	4	STAINLESS STEEL
20	SCREW FOR EARTHING	2	STAINLESS STEEL
19	CIRCUIT BOARD	1	-
18	'O'RING	2	NBR
17	PAD	1	POLYAMIDE
16	SPRING	1	STAINLESS STEEL
15	'E' TYPE CIRCLIP	1	SPRING STEEL
14	SCREW FOR COVER	8	STAINLESS STEEL
13	SCREW FOR CONN. STRIP	2	STAINLESS STEEL
12	SCREW FOR MICROSWITCH	2	STAINLESS STEEL
11	GASKET	1	NBR
10	INDICATOR COVER	1	POLYCARBONATE
9	INDICATOR	1	ABS PLASTIC
8	CONNECTOR STRIP-6WAY	1	POLYIMIDE
7	MICROSWITCH (SPDT)	2	HONEYWELL/CHERRY
6	SPRING DOWEL	2	SPRING STEEL
5	SHAFT	1	STAINLESS STEEL
4	CAM-LOCK	2	POM
3	CAM	2	POLYCAMIDE
2	COVER	1	ALUMINUM ALLOY LM-6
1	HOUSING	1	ALUMINUM ALLOY LM-6
S.NO.	DESCRIPTION	QTY.	MATERIAL

### CROSS SECTION

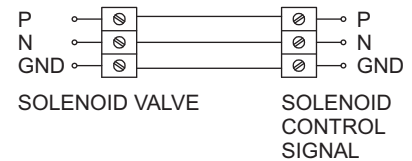


### DIMENSION DETAILS



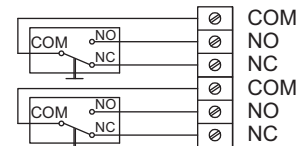
DIMENSION 'X' OPTIONS : 1/2" NPT  
3/4" NPT  
M20X1.5

### WIRING DIAGRAM



Valve open    BOTTOM  
Yellow cam    SWITCH

Valve closed    TOP  
Red cam        SWITCH



## DNLF2-Explosion Proof Cylindrical Prox Switch

### With Option for Intrinsically Safe Switch



### FEATURES

- Intrinsically safe
- Cylindrical inductive proximity sensors (Eexia)
- Aluminum die cast enclosure, powder coated for superior corrosion resistance
- Weather proof enclosure to IP67
- Switch box conforms to Ex d IIC, T6 highest level of safety
- Explosion proof to I, IIA, IIB, and IIC
- ATEX certified by CESI, Italy, Certification No. CESI 05 ATEX017
- ATEX as per EN 60079
- UL Certified, conforms to UL 1203 & UL 508, File No. 246615
- Polycarbonate Dome, Shatterproof
- Red and Yellow Indicator
- Color coded cams easy to identify, and easy to set
- Solenoid termination inside the switch box is standard
- Serrated cams locked together ensures adjusted settings secured against any vibration
- Two conduit entries provided as standard
- Conduit entry options 1/2" NPT, 3/4" NPT, M20X1.5
- Temperature range 4°F to 146°F
- Bracket available as option



### ORDERING OPTIONS

Series	Switch	Qty. Switches	Conduit Entry	Body/Cover	Bracket	Certificates
DNLF		1	4R 1/2" NPT	B Aluminum-Black	Refer to Bracket Selection Page	U CU <sub>L</sub> , UL <sub>L</sub>
		2	6R 3/4" NPT	Y Aluminum-Yellow		C CE
			3M M20X1.5	L Aluminum-Blue		A ATEX
				B5 CF8M Stainless Steel		CM CMRI
						CC CMRI CCDE

CODE	MAKE	MODEL	RATING
2A	P & F	NJ2 12 GMN	8 VDC, NC IS
12A	P & F	NCB2 12GMN35 NO	8V, 24V, 100 mA, NO IS
22A	P & F	NBN4 12GMN40 Z0	6V-24V, 100 mA, NO
32A	P & F	NCN4 12GMN35 NO	8V, 24V, 100mA, NC
42A	P & F	NJ4 12GM50 WO	220VAC 200mA 50/60Hz, NC
2C	lfm	NF 5003	8 VDC, NC IS
12C	lfm	IF 5718	24VED, 150mA, NO/NC

### ORDERING EXAMPLE

- DNLF-12A2-4R-BU
- **UL** approved, Explosion proof box with (2) **PEPPERL +FUCHS** switches, DC output, 1/2" NPT conduit entry, black enclosure.



## DNLF3-Explosion Proof Flat Prox Switch

### With Option for Intrinsically Safe Switch



### FEATURES

- Intrinsically safe
- Flat inductive proximity sensors (Eexia)
- Aluminum die cast enclosure, powder coated for superior corrosion resistance
- Weather proof enclosure to IP67
- Switch box conforms to Ex d IIC, T6 highest level of safety
- Explosion proof to I, IIA, IIB, and IIC
- ATEX certified by CESI, Italy, Certification No. CESI 05 ATEX017
- ATEX as per EN 60079
- UL Certified, conforms to UL 1203 & UL 508, File No. 246615
- Polycarbonate Dome, Shatterproof
- Red and Yellow Indicator
- Color coded cams easy to identify, and easy to set
- Solenoid termination inside the switch box is standard
- Serrated cams locked together ensures adjusted settings secured against any vibration
- Two conduit entries provided as standard
- Conduit entry options 1/2" NPT, 3/4" NPT, M20X1.5
- Temperature range 4°F to 146°F
- Bracket available as option



### ORDERING OPTIONS

Series	Switch	Qty. Switches	Conduit Entry	Body/Cover	Bracket	Certificates
DNLF		1	4R 1/2" NPT	B Aluminum-Black		U CU <sub>L</sub> , UL <sub>L</sub>
		2	6R 3/4" NPT	Y Aluminum-Yellow		C CE
			3M M20X1.5	L Aluminum-Blue		A ATEX
				B5 CF8M Stainless Steel		CM CMRI
						CC CMRI CCDE

CODE	MAKE	MODEL	RATING
3A	P & F	NJ2 V3N	8 VDC, 3mA, NC IS
13A	P & F	NBB3 V3 Z4	10-60VDC, 100mA, NO
3C	lfm	IS 5026	24V, 200 mA, NO/NC
13C	lfm	NS 5002	8 VDC, NO/NC IS
23C	lfm	IN 0073	24VDC, 150mA, NO/NC

Refer to Bracket Selection Page
---------------------------------

### ORDERING EXAMPLE

- DNLF-3A2-4R-BU
- **UL** approved, Explosion proof box with (2) **PEPPERL +FUCHS** switches, Intrinsically safe, 1/2" NPT conduit entry, black enclosure

# VERSATILE LIMITSWITCH

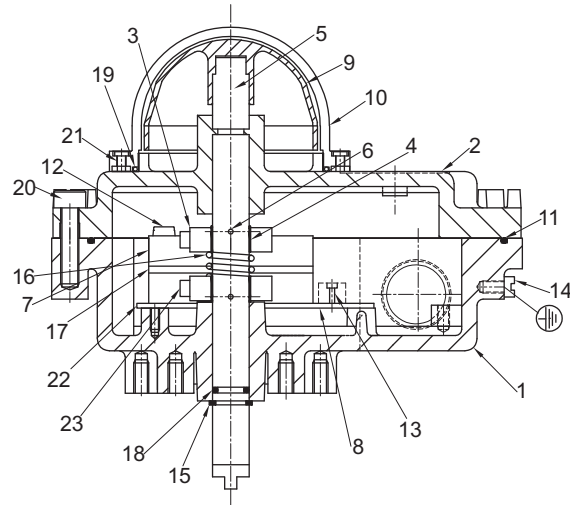


## DNLF3-Explosion Proof Flat Prox Switch

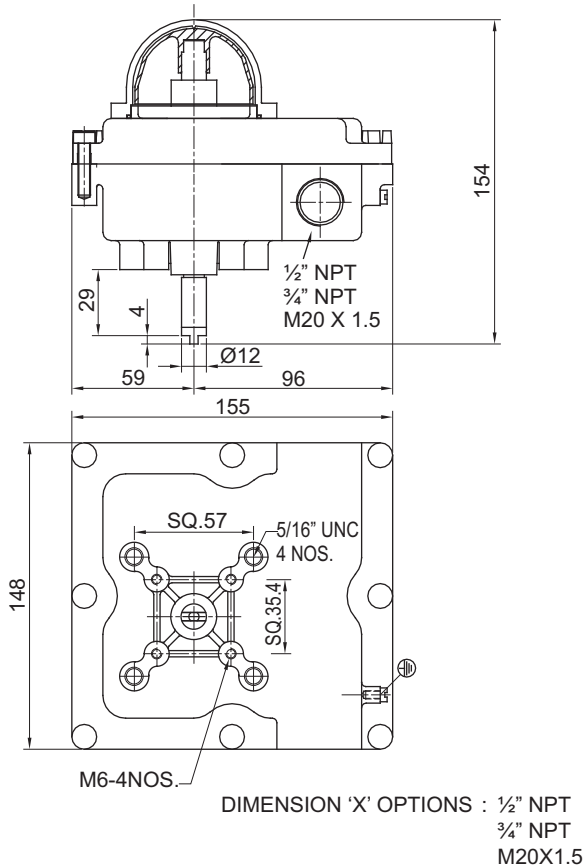
### MATERIAL OF CONSTRUCTION

21	PHILIPS HEAD SCREW	4	STAINLESS STEEL
20	NON FALLING SCREW	8	STAINLESS STEEL
19	'O'RING	1	NBR
18	'O'RING	2	NBR
17	BRACKET	1	M.S.
16	SPRING	1	STAINLESS STEEL
15	'E' TYPE CIRCLIP	1	SPRING STEEL
14	SCREW FOR EARTHING	2	STAINLESS STEEL
13	SCREW FOR CONN. STRIP	2	STAINLESS STEEL
12	SCREW FOR BRACKET	2	STAINLESS STEEL
11	GASKET	1	NBR
10	INDICATOR COVER	1	POLYCARBONATE
9	INDICATOR	1	ABS PLASTIC
8	TERMINAL BLOCK-6WAY	1	-
7	PROXIMITY SENSOR	2	P&F, IFM
6	SPRING DOWEL	2	SPRING STEEL
5	SHAFT	1	STAINLESS STEEL
4	CAM-LOCK	2	DELIRIN
3	CAM	2	POLYCARBONATE
2	COVER	1	ALUMINUM ALLOY LM-6
1	HOUSING	1	ALUMINUM ALLOY LM-6
S.NO.	DESCRIPTION	QTY.	MATERIAL

### CROSS SECTION

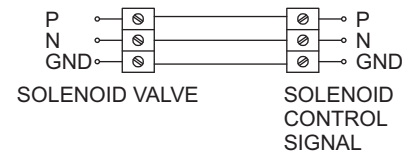


### DIMENSION DETAILS

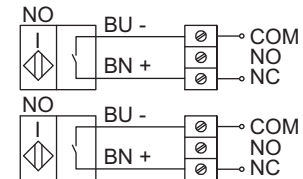


### WIRING DIAGRAM

#### 2 WIRE PROXIMITY-NO



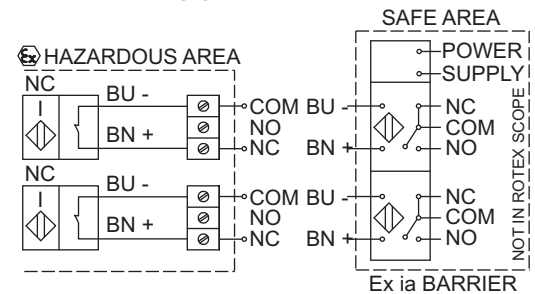
Valve open BOTTOM SWITCH  
 Yellow cam  
 Valve closed TOP SWITCH  
 Red cam



#### 2 WIRE PROXIMITY-NC



Valve open BOTTOM SWITCH  
 Yellow cam  
 Valve closed TOP SWITCH  
 Red cam



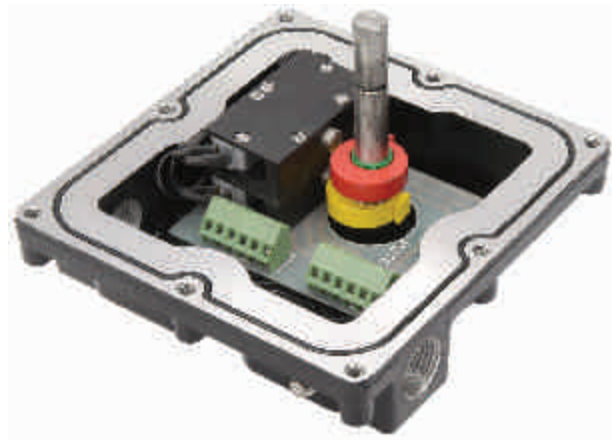


## DNLF5-Explosion Proof DPDT Mechanical Switch



### FEATURES

- Explosion proof to I, IIA, IIB, and IIC
- Enclosure certified to UL 1203 & UL508, File No. 246615
- Switch Box conforms to Ex D IIC, T6 highest level of safety
- ATEX certified by CESI, Italy, Cert No. CESI 05 ATEX017
- Aluminum die cast enclosure, powder coated for superior corrosion resistance
- Weather proof enclosure to IP67
- Polycarbonate Dome, Shatterproof
- Red and Yellow Indicator
- Color coded cams easy to identify, easy to set
- Special circuit board eliminates internal wiring
- Circuit board laminated for complete corrosion protection
- Solenoid termination inside the switch box not available
- Serrated cams locked together ensures adjusted settings secured against any vibration
- Two conduit entries provided as standard
- Conduit entry options 1/2" NPT, 3/4" NPT, M20X1.5
- Temperature 4°F to 146°F
- Bracket available as option



### ORDERING OPTIONS

Series	Switch	Qty. Switches	Conduit Entry	Body/Cover	Bracket	Certificates
DNLF		1	4R 1/2" NPT	B Aluminum-Black		U CU <sub>L</sub> , UL <sub>L</sub>
		2	6R 3/4" NPT	Y Aluminum-Yellow		C CE
			3M M20X1.5	L Aluminum-Blue		A ATEX
				B5 CF8M Stainless Steel		CM CMRI
						CC CMRI CCDE

CODE	MAKE	MODEL	RATING
5A	Honeywell	V5C010EN3D	10Amp 120 or 250 VAC, 220 VDC 50Hz/60Hz, NO/NC
15A	Honeywell	V7 1C17E9 201	15Amp 120 or 250 VAC, 220 VDC 50Hz/60Hz, NO/NC
1B	Cherry	D43 CQ1 RA	5Amp 125 or 250 VAC, 220 VDC NO/NC
11B	Cherry	D45 CQ1 RA	15Amp 125 or 250 VAC, 220 VDC NO/NC

Refer to Bracket Selection Page

### ORDERING EXAMPLE

- DNLF-5A2-6R-B-BKS1-A
- Explosion proof to I, II A and II B and Weather proof box provided with Honeywell 10 Amp switches 2 nos, each with two NO and two NC, 3/4" NPT cable gland entry. With Stainless Steel bracket suitable for 80X30 tapping and for 20mm pinion height. With ATEX Certification.



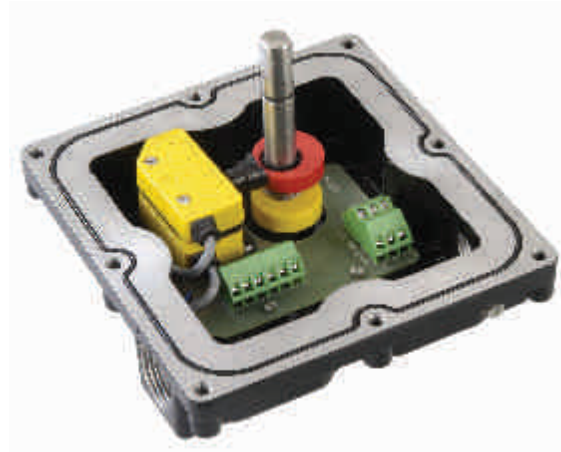
## DNLF6-Explosion Proof Hermetically Sealed Prox Switch

### ROTEX Cobra Switch



#### FEATURES

- Explosion proof to I, IIA, IIB, and IIC
- Enclosure certified to UL 1203 & UL508, File No. 246615
- Switch Box conforms to Ex D IIC, T6 highest level of safety
- ATEX certified by CESI, Italy, Cert No. CESI 05 ATEX017
- Aluminum die cast enclosure, powder coated for superior corrosion resistance
- Weather proof enclosure to IP67
- Polycarbonate Dome, Shatterproof
- Red and Yellow Indicator
- Color coded cams easy to identify, easy to set
- Special circuit board eliminates internal wiring
- Circuit board laminated for complete corrosion protection
- Solenoid termination inside the switch box is standard
- Serrated cams locked together ensures adjusted settings secured against any vibration
- Two conduit entries provided as standard
- Conduit entry options 1/2" NPT, 3/4" NPT, M20X1.5
- Temperature 4°F to 146°F
- Bracket available as option



#### ORDERING OPTIONS

Series	Switch	Qty. Switches	Conduit Entry	Body/Cover	Bracket	Certificates
DNLF		1	4R 1/2" NPT	B Aluminum-Black		U CU <sub>L</sub> , UL <sub>L</sub>
		2	6R 3/4" NPT	Y Aluminum-Yellow		C CE
			3M M20X1.5	L Aluminum-Blue		A ATEX
				B5 CF8M Stainless Steel		

CODE	MAKE	MODEL	RATING
6A	Hermetic Switch Inc.	COBRA	2Amps, 220V AC/DC, 50Hz/60Hz, NO/NC
16A	Hermetic Switch Inc.	<b>COBRA GOLD</b>	0-48 VDC, up to 100mA 0-220 VAC, 20 mA

Refer to Bracket Selection Page

#### ORDERING EXAMPLE

- DNLF-6A2-6R-B-BKS1-A
- Explosion proof box with (2) hermetically sealed switches, 3/4" conduit entries, black enclosure, with stainless steel bracket suitable for 80X30 tapping and for 20mm pinion height. With ATEX certificate

# VERSATILE LIMITSWITCH



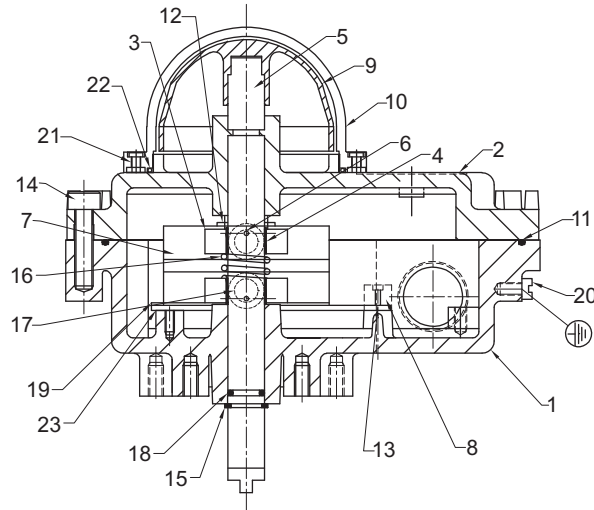
## DNLF6-Explosion Proof Hermetically Sealed Prox Switch

## ROTEX Cobra Switch

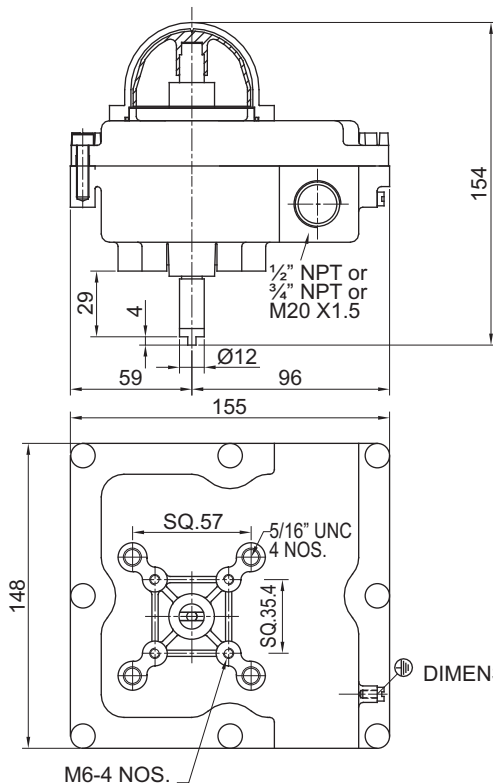
### MATERIAL OF CONSTRUCTION

23	CIRCUIT BOARD	1	-
22	'O'RING	1	NBR
21	PHILIPS HEAD SCREW	4	STAINLESS STEEL
20	SCREW FOR EARTHING	2	STAINLESS STEEL
19	MOUNTING PLATE	1	M.S.
18	'O'RING	2	NBR
17	CAM INSERT	2	POLYAMIDE
16	SPRING	1	STAINLESS STEEL
15	'E' TYPE CIRCLIP	1	SPRING STEEL
14	NON FALLING SCREW	8	STAINLESS STEEL
13	SCREW FOR CONN. STRIP	2	STAINLESS STEEL
12	SCREW FOR REEDSWITCH	2	STAINLESS STEEL
11	GASKET	1	NBR
10	INDICATOR COVER	1	POLYCARBONATE
9	INDICATOR	1	ABS PLASTIC
8	CONNECTOR STRIP-6WAY	1	POLYIMIDE
7	REED SWITCH ASSEMBLY	2	-
6	SPRING DOWEL	2	SPRING STEEL
5	SHAFT	1	STAINLESS STEEL
4	CAM-LOCK	2	POM
3	CAM	2	POLYCAMIDE
2	COVER	1	ALUMINUM ALLOY LM-6
1	HOUSING	1	ALUMINUM ALLOY LM-6
S.NO.	DESCRIPTION	QTY.	MATERIAL

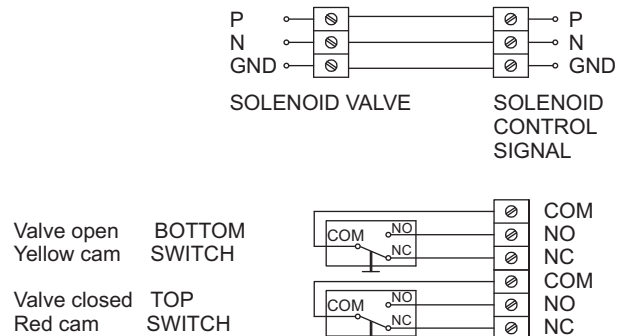
### CROSS SECTION



### DIMENSION DETAILS



### WIRING DIAGRAM



DIMENSION 'X' OPTIONS : 1/2" NPT  
 3/4" NPT  
 M20X1.5

## DNLF-Limit Switch With Integral Solenoid Valve

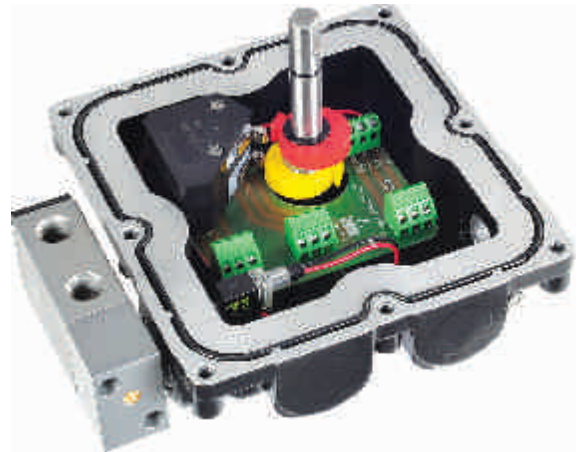
### ROTEX STRIKER Switch



NEMA 4, 4X, 7 & 9

### FEATURES

- Explosion proof to I, IIA, IIB, and IIC
- Enclosure certified to UL 1203 & UI508, File No. 246615
- Switch Box conforms to Ex D IIC, T6 highest level of safety
- ATEX certified by CESI, Italy, Cert No. CESI 05 ATEX017
- Aluminum die cast enclosure, powder coated
- Weatherproof enclosure to IP67
- Temperature -4 °F to 176 °F
- Polycarbonate Dome, Shatterproof, Red/Yellow
- Color coded cams easy to identify, easy to set
- Serrated cams locked together ensures adjusted settings are secure against any vibration
- Two conduit entries provided as standard
- Conduit entry options ½" NPT, ¾" NPT (Std), M20X1.5
- Choice of proximity type or mechanical switches
- Solenoid coils are mounted INSIDE the box
- 4 way solenoid can work for DA or SR actuator
- ¼" NPT solenoid body in SS or aluminum, Cv=1.1
- Available single coil or dual coil
- Special configurations may be available on request



### ORDERING OPTIONS

Series	Switch	Qty Switches	Conduit Entry	Body/Cover	Coils	Voltage	Sol. Body	Bracket	Certificates
DNLF		1	4R ½" NPT	B Aluminum-Black	S Single	1 120V AC 2 24V DC	A Aluminum	Refer to Bracket Selection Page	U UL
		2	6R ¾" NPT	Y Aluminum-Yellow	D Dual		S 316 SS		C CE
		3M M20X1.5	L Aluminum-Blue	B5 CF8M Stainless Steel					A ATEX

CODE	MAKE	MODEL	RATING
1A	Honeywell	V15S05-CZ100A05-0	15Amp 125 OR 250V AC, 0.1Amp 48V DC, NO/ NC
11A	Honeywell	V7-1C17E9-201	15Amp 125 OR 250V AC, 0.5Amp 125V DC, 0.25Amp 250V DC, NO/ NC
3A 13A	P&F (Intrinsically Safe)	NJ2-V3-N NBB3-V3-Z4	8V DC, 3mA, NC Type EEx ia 10-60V DC, 100mA, NO
6A 16A	Hermetic Switch Inc.	R1 R2	2Amps, 220V AC/ DC 0.2Amps, 24V DC

### ORDERING EXAMPLE

- DNLF-6A26RL-S1A-U
- Explosion proof aluminum box with (2) Hermetically sealed switches, (2) ¾" conduit entries, blue enclosure with single coil 120 VAC solenoid ¼" aluminum body, UL Certified Consult Rotex Controls with your specific application requirements

# VERSATILE LIMITSWITCH



## DNLF-Limit Switch For Dribble Control

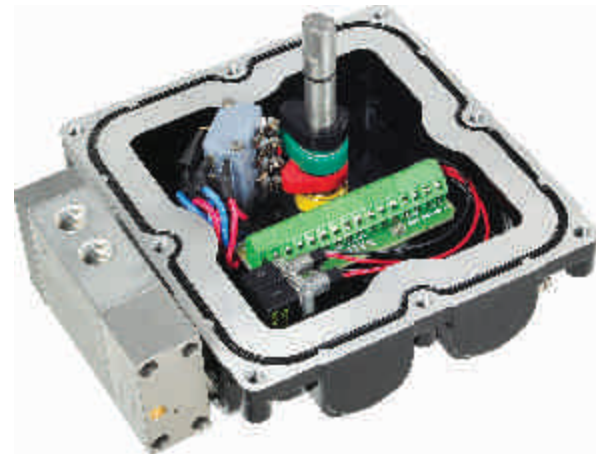
### ROTEX STRIKER DRIBBLE Switch



EC94/9  
NEMA 4, 4X, 7 & 9

#### FEATURES

- Explosion proof to I, IIA, IIB, and IIC
- Enclosure certified to UL 1203 & UI508, File No. 246615
- Switch Box conforms to Ex D IIC, T6 highest level of safety
- ATEX certified by CESI, Italy, Cert No. CESI 05 ATEX017
- Aluminum die cast enclosure, powder coated
- Weatherproof enclosure to IP67
- Temperature -4 °F to 176 °F
- Polycarbonate Dome, Shatterproof, Red/Yellow
- Color coded cams easy to identify, easy to set
- Serrated cams locked together ensures adjusted settings are secure against any vibration
- Two conduit entries provided as standard
- Conduit entry options ½" NPT, ¾" NPT (Std), M20X1.5
- Choice of proximity type or mechanical switches
- Solenoid coils are mounted INSIDE the box
- Dribble configuration allows midway valve position for applications such as tank filling
- ¼" NPT solenoid body in SS or aluminum, Cv=1.1
- Special configurations may be available on request



#### ORDERING OPTIONS

Series	Switch	Qty Switches	Conduit Entry	Body/Cover	Dribble	Voltage	Sol. Body	Bracket	Certificates
DNLF		3	4R ½" NPT	B Aluminum-Black	DR	1 120V AC	A Aluminum	Refer to Bracket Selection Page	U UL
		4	6R ¾" NPT	Y Aluminum-Yellow		2 24V DC	S 316 SS		C CE
		3M M20X1.5	L Aluminum-Blue				A ATEX		
			B5 CF8M Stainless Steel						

CODE	MAKE	MODEL	RATING
1A	Honeywell	V15S05-CZ100A05-0	15Amp 125 OR 250V AC, 0.1Amp 48V DC, NO/ NC
11A	Honeywell	V7-1C17E9-201	15Amp 125 OR 250V AC, 0.5Amp 125V DC, 0.25Amp 250V DC, NO/ NC
3A 13A	P&F (Intrinsically Safe)	NJ2-V3-N NBB3-V3-Z4	8V DC, 3mA, NC Type EEx ia 10-60V DC, 100mA, NO
6A 16A	Hermetic Switch Inc.	R1 R2	2Amps, 220V AC/ DC 0.2Amps, 24V DC

#### ORDERING EXAMPLE

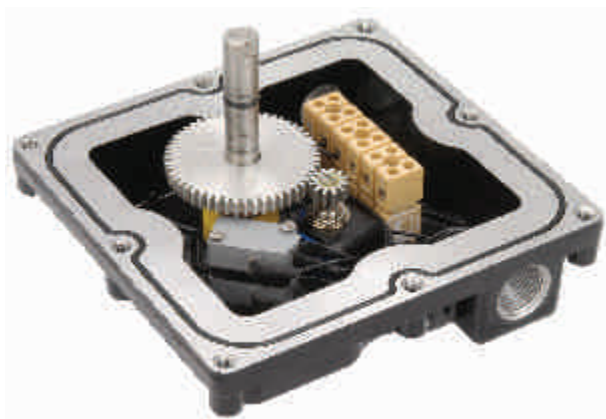
- DNLF-1A36RL-DR1A-U
- Explosion proof aluminum box with (3) mechanical switches, (2) ¾" conduit entries, blue enclosure with 120 VAC dribble control ¼" aluminum body, UL Certified Consult Rotex Controls with your specific application requirements

## DNLF1-P-NEMA 4 SPDT Mechanical Switch with Position Transmitter



### FEATURES

- Position transmitter may be added to DNLF1 switches only.
- Limit Switch with position feedback rated NEMA 4, 4X
- 0.2% FS - Repeatability 0.2% FS
- Hysteresis 0.3% FS
- Field adjustable Feedback, 1 K or 10 K Ohms
- Two conduit entries provided as standard
- Conduit entry options : 1/2" NPT, 3/4" NPT, M20X1.5
- Complies to Namur mounting standard
- 2 wire system
- Spring loaded resistive feedback
- Microswitch feedback for on and off provided
- Visual percentage indicator provided
- Red and Yellow Indicator
- Temperature range 4°F to 146°F
- Bracket available as option



### ORDERING OPTIONS

Series	Switch	Qty Switches	Feedback	Conduit Entry	Body/Cover	Bracket	Certificates
DNLF		1	P1 1 K Ohm	4R 1/2" NPT	B Aluminum-Black	U	CU <sub>L</sub> , UL <sub>L</sub>
		2	P10 10 K Ohm	6R 3/4" NPT	Y Aluminum-Yellow	C	CE
				3M M20X1.5	L Aluminum-Blue		
					B5 CF8M Stainless Steel		

CODE	MAKE	MODEL	RATING
1A	Honeywell	V5C010EN3D	10Amp 120 or 250 VAC, 220 VDC 50Hz/60Hz, NO/NC
11A	Honeywell	V7-1C17E9-201	15Amp 120 or 250 VAC, 220 VDC 50Hz/60Hz, NO/NC
1B	Cherry	D43 CQ1 RA	5Amp 125 or 250 VAC, 220 VDC NO/NC
11B	Cherry	D45 CQ1 RA	15Amp 125 or 250 VAC, 220 VDC NO/NC

Refer to Bracket Selection Page

### ORDERING EXAMPLE

- DNLF-1A2-P1-4R-B-BSK1-C
- Explosion proof box having a potentiometer output of 1 K ohm resistance when rotated 90 degree. The switch has a 10 amp Honeywell micro switch, with 1/2" cable entries, Black color, Stainless Steel Bracket 80x30 tapping, pinion height 20 mm, CE approved.

# VERSATILE LIMITSWITCH

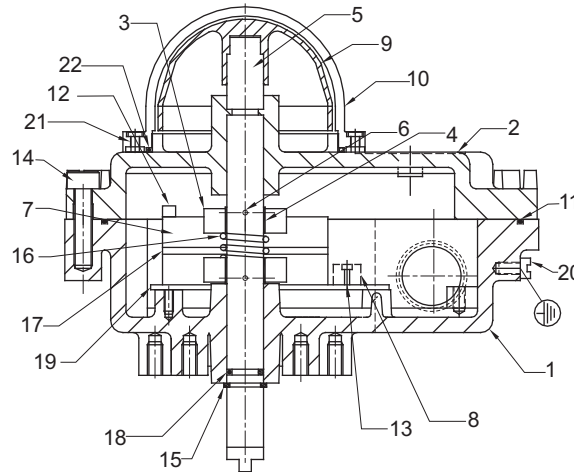


## DNLF1-P-NEMA 4 SPDT Mechanical Switch with Position Transmitter

### MATERIAL OF CONSTRUCTION

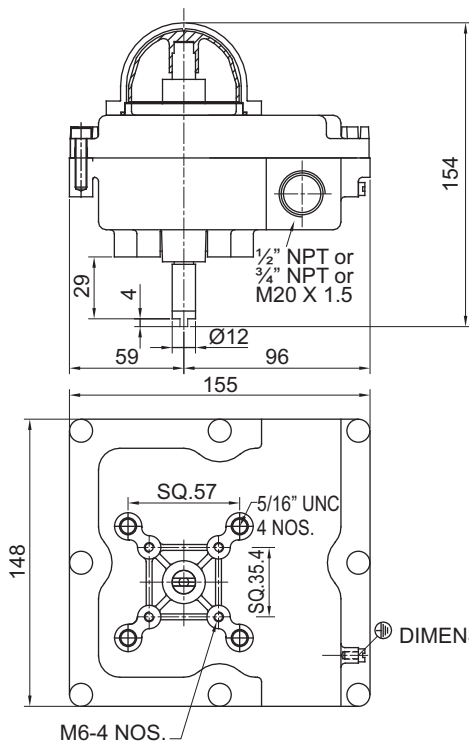
27	HEX SOC. SET SCREW	2	STAINLESS STEEL
26	POTENTIOMETER	1	-
25	PHILIPS HEAD SCREW	4	STAINLESS STEEL
24	CAM-2	1	ALUMINUM
23	CAM-1	1	ALUMINUM
22	BRACKET	1	M.S.
21	SLOTTED CHEESE HEAD SCREW	2	STAINLESS STEEL
20	NON FALLING SCREW	8	STAINLESS STEEL
19	O'RING	1	NBR
18	O'RING	2	NBR
17	PAD	1	POLYAMIDE
16	SPRING	1	STAINLESS STEEL
15	'E' TYPE CIRCLIP	1	SPRING STEEL
14	SCREW FOR EARTHING	2	STAINLESS STEEL
13	SCREW FOR CONN. STRIP	2	STAINLESS STEEL
12	SCREW FOR MICROSWITCH	2	STAINLESS STEEL
11	GASKET	1	NBR
10	INDICATOR COVER	1	POLYCARBONATE
9	INDICATOR	1	ABS PLASTIC
8	TERMINAL BLOCK-6WAY	1	-
7	MICRO SWITCH (SPDT)	2	HONEYWELL/CHERRY
6	SPRING DOWEL	2	SPRING STEEL
5	SHAFT	1	STAINLESS STEEL
4	CAM-LOCK	2	DELTRIN
3	CAM	2	POLYCARBONATE
2	COVER	1	ALUMINUM ALLOY LM-6
1	HOUSING	1	ALUMINUM ALLOY LM-6
S.NO.	DESCRIPTION	QTY.	MATERIAL

### CROSS SECTION



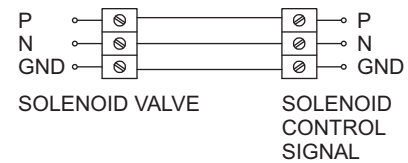
DNLF 1A2+P1 WITH MICROSWITCH

### DIMENSION DETAILS



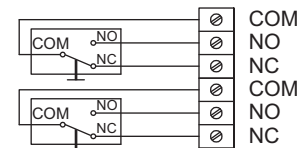
DIMENSION 'X' OPTIONS : 1/2" NPT  
3/4" NPT  
M20X1.5

### WIRING DIAGRAM



Valve open    BOTTOM  
Yellow cam    SWITCH

Valve closed    TOP  
Red cam        SWITCH





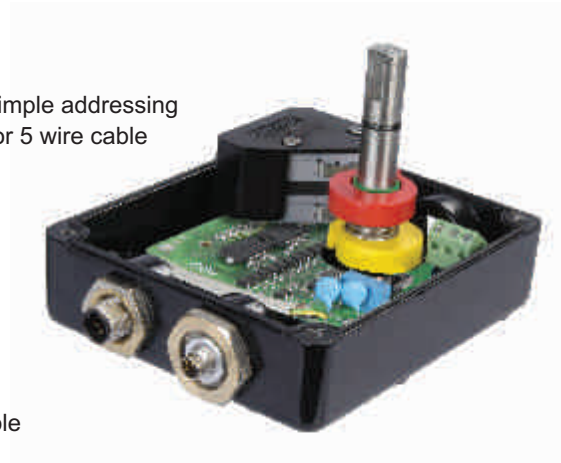
## DXLW-AF Weather Proof Limit Switch AS-I Protocol

## DXLW-AFD-Weather Proof Limit Switch-AS-I Protocol, Dribble control

- Weather proof type “W” limit switch box has been designed to overcome lengthy wiring. It is easy to operate, maintain and control.
- The limit switch box is configured to exchange data through field bus using AS-I protocol.
- Field bus connectivity is achieved by using one or two cables depending on wiring system.
- Solenoid termination inside enclosure is standard.

### COMMUNICATION CHARACTERISTICS

Protocol	:	AS-I Interface using V2.1 profile 4140 simple addressing
Transmission	:	AS-I cable flat type 2 wire, need 2 pair, or 5 wire cable
Bus Structure	:	Line or tree using repeaters
Max # of Slaves	:	31
Input/output per Box	:	2 Outputs / 2 Inputs
Bus Cable Length	:	100m, 300m with repeaters
Field Communication	:	Hand held infra-red controller



### ELECTRICAL CHARACTERISTICS

Supply Voltage	:	24 V DC +/- 10% with max 15% ripple
Bus Consumption	:	<250 mA
Solenoid Consumption	:	Up to 8 Watts
Protection	:	IP 55
Supply Connection (24V)	:	Flat with vampire type connector
Ground Connection	:	Ground screw inside enclosure
Electromagnetic Compatibility	:	CE, Directive EMC 89/336/EEC

### ORDERING OPTIONS

Series	Switch	Qty. Switches	Conduit Entry	Body/Cover	Protocol	Bracket	Certificates
DXLW		1 4R ½" NPT	B	Aluminum-Black	AF AS-I	C	CE
		2 3M M20X1.5	Y	Aluminum-Yellow	AFD AS-I Dribble		
			L	Aluminum-Blue			
			B5	CF8M Stainless Steel			

Refer to Bracket Selection Page

CODE	MAKE	MODEL	RATING
1A	Honeywell	V5SC010EN3D	24 VDC, 5Amp
3A	P & F	NJ2 V3N	8 VDC, 3mA, NC IS
13A	P & F	NBB3 V3 Z4	10-60VDC, 100mA, NO

### ORDERING EXAMPLE

- DXLW-13A2-4R-B-AF
- Weather proof box provided with (2) PEPPERL+FUCHS flat switches, DC output, each with one NO, ½" NPT conduit entries, black enclosure. With AS-I Protocol.

# VERSATILE LIMITSWITCH



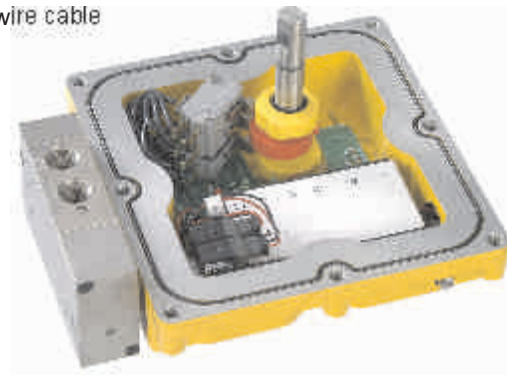
## DNLF-AF Explosion Proof Limit Switch AS-I Protocol

## DNLF-AFD-Explosion Proof Limit Switch-AS-I Protocol, Dribble control

- Explosion proof type 'F' limit switch box has been designed to overcome lengthy wiring. It is easy to operate, maintain and control.
- The limit switch box is configured to exchange data through field bus using AS-I protocol.
- Field bus connectivity is achieved by using one or two cables depending on wiring system.
- Solenoid termination inside enclosure is standard.

### COMMUNICATION CHARACTERISTICS

Protocol	: AS-I Interface using V2.1 profile 4140 simple addressing
Transmission	: AS-I cable flat type 2 wire, need 2 pair, or 5 wire cable
Bus Structure	: Line or tree using repeaters
Max # of Slaves	: 31
Input/output per Box	: 2 Outputs / 2 Inputs
Bus Cable Length	: 100m, 300m with repeaters
Field Communication	: Hand held infra-red controller



### ELECTRICAL CHARACTERISTICS

Supply Voltage	: 24 V DC +/- 10% with max 15% ripple
Bus Consumption	: <250 mA
Solenoid Consumption	: Up to 8 Watts
Protection	: IP 55
Supply Connection (24V)	: Flat with vampire type connector
Ground Connection	: Ground screw on enclosure exterior
Electromagnetic Compatibility	: CE, Directive EMC 89/336/EEC

### ORDERING OPTIONS

Series	Switch	Qty. Switches	Conduit Entry	Body/Cover	Protocol	Bracket	Certificates
DNLF		1	4R 1/2" NPT	B Aluminum-Black	AF AS-I	Refer to Bracket Selection Page	CM CMRI
			6R 3/4" NPT	Y Aluminum-Yellow	AFD AS-I Dribble		CC CMRI CCOE
		2	3M M20X1.5	L Aluminum-Blue			C CE
				B5 CF8M Stainless Steel			

CODE	MAKE	MODEL	RATING
1A	Honeywell	V5SC010EN3D	24 VDC, 5Amp
3A	P & F	NJ2 V3N	8 VDC, 3mA, NC IS
13A	P & F	NBB3 V3 Z4	10-60VDC, 100mA, NO

### ORDERING EXAMPLE

- DNLF-13A2-4R-Y-AF
- Explosion proof box provided with (2) PEPPERL+FUCHS flat switches, DC output, each with one NO, 1/2" NPT conduit entries, yellow enclosure. With AS-I Protocol.

## DXLW-DF/ DXLW-CF Weather Proof Limit Switch DEVICENET or CAN OPEN Protocol

- Weather proof type 'W' limit switch box has been designed to overcome lengthy wiring. It is easy to operate, maintain and control.
- The limit switch box is configured to exchange data through field bus using either DEVICENET or CAN OPEN protocol.
- Field bus connectivity is achieved by using 2X2 cable and grounding, 5 core cable.
- Solenoid termination inside enclosure is standard.

### COMMUNICATION CHARACTERISTICS

Protocol : DEVICENET or CAN OPEN  
 Transmission : Shielded and twisted pair 2X2-wire cable  
 Bus Structure : Line or tree using repeaters  
 Max # of Slaves : 63  
 Input/output per Box : 2 Outputs / 2 Inputs  
 Bus Cable Length : 500m at 125 KBD and 100m at 500 KBd  
 Field Communication : Dip switch on the circuit board



### ELECTRICAL CHARACTERISTICS

Supply Voltage : 24 V DC +/- 10% with max 15% ripple  
 Bus Consumption : <100 mA  
 Solenoid Consumption : Up to 8 Watts  
 Protection : IP 55  
 Supply Connection (24V) : M8 socket 4 pin male  
 Bus Connection : 5 pin M12-A male  
 Ground Connection : Ground screw inside enclosure  
 Electromagnetic Compatibility : CE, Directive EMC 89/336/EEC

### ORDERING OPTIONS

Series	Switch	Qty. Switches			Conduit Entry		Body/Cover	Protocol		Bracket	Certificates	
DXLW		1	4R	½" NPT	B	Aluminum-Black	DF	DEVICENET	C	CE		
		2	3M	M20X1.5	Y	Aluminum-Yellow	CF	CAN OPEN				
					L	Aluminum-Blue						
					B5	CF8M Stainless Steel						

Refer to Bracket Selection Page

CODE	MAKE	MODEL	RATING
1A	Honeywell	V5SC010EN3D	24 VDC, 5Amp
3A	P & F	NJ2 V3N	8 VDC, 3mA, NC IS
13A	P & F	NBB3 V3 Z4	10-60VDC, 100mA, NO

### ORDERING EXAMPLE

- DXLW-13A2-4R-Y-DF
- Weather proof box provided with (2) PEPPERL+FUCHS flat switches, DC output, each with one NO, ½" NPT conduit entries, yellow enclosure. With DEVICENET Protocol.

# VERSATILE LIMITSWITCH



## DNLF-DF/ DNLF-CF Explosion Proof Limit Switch DEVICENET or CAN OPEN Protocol

- Explosion proof type 'F' limit switch box has been designed to overcome lengthy wiring. It is easy to operate, maintain and control.
- The limit switch box is configured to exchange data through field bus using either DEVICENET or CAN OPEN protocol.
- Field bus connectivity is achieved by using 2X2 cable and grounding, 5 core cable.
- Solenoid termination inside enclosure is standard.

### COMMUNICATION CHARACTERISTICS

Protocol	: DEVICENET or CAN OPEN
Transmission	: Shielded and twisted pair 2X2-wire cable
Bus Structure	: Line or tree using repeaters
Max # of Slaves	: 63
Input/output per Box	: 2 Outputs/ 2 Inputs
Bus Cable Length	: 500m at 125 KBD and 100m at 500 KBd
Field Communication	: Dip switch on the circuit board



### ELECTRICAL CHARACTERISTICS

Supply Voltage	: 24 V DC +/- 10% with max 15% ripple
Bus Consumption	: <100 mA
Solenoid Consumption	: Up to 8 Watts
Protection	: IP 55
Supply Connection (24V)	: M8 socket 4 pin male
Bus Connection	: 5 pin M12-A male
Ground Connection	: Ground screw on enclosure exterior
Electromagnetic Compatibility	: CE, Directive EMC 89/336/EEC

### ORDERING OPTIONS

Series	Switch	Qty. Switches	Conduit Entry	Body/Cover	Protocol	Bracket	Certificates
DNLF		1	4R ½" NPT	B Aluminum-Black	DF DEVICENET	Refer to Bracket Selection Page	CM CMRI
			6R ¾" NPT	Y Aluminum-Yellow	CF CAN OPEN		CC CMRI CCOE
		2	3M M20X1.5	L Aluminum-Blue			C CE
				B5 CF8M Stainless Steel			

CODE	MAKE	MODEL	RATING
1A	Honeywell	V5SC010EN3D	24 VDC, 5Amp
3A	P & F	NJ2 V3N	8 VDC, 3mA, NC IS
13A	P & F	NBB3 V3 Z4	10-60VDC, 100mA, NO

### ORDERING EXAMPLE

- DNLF-13A2-4R-Y-DF
- Explosion proof box provided with (2) PEPPERL+FUCHS flat switches, DC output, each with one NO, ½" NPT conduit entries, yellow enclosure. With DEVICENET Protocol

## DXLW-PF Weather Proof Limit Switch PROFIBUS-DP Protocol

- Weather proof type 'W' limit switch box has been designed to overcome lengthy wiring. It is easy to operate, maintain and control.
- The limit switch box is configured to exchange data through field bus using Profibus-DP protocol.
- Field bus connectivity is achieved by using RS 485 interface 5 core cable.
- Solenoid termination inside enclosure is standard.

### COMMUNICATION CHARACTERISTICS

Protocol	: PROFIBUS-DP, DIN 19245-Part 3-EN50170
Transmission	: Shielded and twisted pair
Bus Structure	: Line or tree using repeaters
Max # of Slaves	: 63
Input/ output per Box	: 2 Outputs/ 2 Inputs
Bus Cable Length	: 1,200m at 9.6 KPS and 100m at 12 Mbps
Field Communication	: By rotary switch



### ELECTRICAL CHARACTERISTICS

Supply Voltage	: 24 V DC +/- 10% with max 15% ripple
Bus Consumption	: <150 mA
Solenoid Consumption	: Up to 8 Watts
Protection	: IP 55
Supply Connection (24V)	: M8 socket 4 pin male
Bus Connection	: IN: 5 pin M12-B male OUT : 5 pin M12-B female
Ground Connection	: Ground screw on enclosure exterior
Electromagnetic Compatibility	: CE, Directive EMC 89/336/EEC

### ORDERING OPTIONS

Series	Switch	Qty. Switches		Conduit Entry		Body/Cover	Protocol		Bracket		Certificates	
DNLF		1	4R	1/2" NPT	B	Aluminum-Black	PF	Profibus-DP	CM	CMRI		
		2	6R	3/4" NPT	Y	Aluminum-Yellow			CC	CMRI CCOE		
			3M	M20X1.5	L	Aluminum-Blue			C	CE		
					B5	CF8M Stainless Steel						

CODE	MAKE	MODEL	RATING
1A	Honeywell	V5SC010EN3D	24 VDC, 5Amp
3A	P & F	NJ2 V3N	8 VDC, 3mA, NC IS
13A	P & F	NBB3 V3 Z4	10-60VDC, 100mA, NO

Refer to Bracket Selection Page

### ORDERING EXAMPLE

- DNLF-13A2-4R-Y-PF
- Explosion proof box provided with (2) PEPPERL+FUCHS flat switches, DC output, each with one NO, 1/2" NPT conduit entries, yellow enclosure. With PROFIBUS-DP Protocol

# VERSATILE LIMITSWITCH



## DNLF-PF Explosion Proof Limit Switch PROFIBUS-DP Protocol

- Explosion proof type 'F' limit switch box has been designed to overcome lengthy wiring. It is easy to operate, maintain and control.
- The limit switch box is configured to exchange data through field bus using Profibus-DP protocol.
- Field bus connectivity is achieved by using RS 485 interface 5 core cable.
- Solenoid termination inside enclosure is standard.

### COMMUNICATION CHARACTERISTICS

Protocol	: PROFIBUS-DP, DIN 19245-Part 3-EN50170
Transmission	: Shielded and twisted pair
Bus Structure	: Line or tree using repeaters
Max # of Slaves	: 63
Input/ output per Box	: 2 Outputs/ 2 Inputs
Bus Cable Length	: 1,200m at 9.6 KPS and 100m at 12 Mbps
Field Communication	: By rotary switch



### ELECTRICAL CHARACTERISTICS

Supply Voltage	: 24 V DC +/- 10% with max 15% ripple
Bus Consumption	: <150 mA
Solenoid Consumption	: Up to 8 Watts
Protection	: IP 55
Supply Connection (24V)	: M8 socket 4 pin male
Bus Connection	: IN : 5 pin M12-B male OUT : 5 pin M12-B female
Ground Connection	: Ground screw on enclosure exterior
Electromagnetic Compatibility	: CE, Directive EMC 89/336/EEC

### ORDERING OPTIONS

Series	Switch	Qty. Switches	Conduit Entry	Body/Cover	Protocol	Bracket	Certificates
DNLF		1	4R 1/2" NPT	B Aluminum-Black	PF Profibus-DP	Refer to Bracket Selection Page	CM CMRI
			6R 3/4" NPT	Y Aluminum-Yellow			CC CMRI CCOE
		2	3M M20X1.5	L Aluminum-Blue	C CE		
				B5 CF8M Stainless Steel			

CODE	MAKE	MODEL	RATING
1A	Honeywell	V5SC010EN3D	24 VDC, 5Amp
3A	P & F	NJ2 V3N	8 VDC, 3mA, NC IS
13A	P & F	NBB3 V3 Z4	10-60VDC, 100mA, NO

### ORDERING EXAMPLE

- DNLF-13A2-4R-Y-PF
- Explosion proof box provided with (2) PEPPERL+FUCHS flat switches, DC output, each with one NO, 1/2" NPT conduit entries, yellow enclosure. With PROFIBUS-DP Protocol.



**ROTEX**  
INFINITY ACTUATORS

21 Sullivan Parkway,  
Fort Edward, NY 12828

Tel : (888) 813 - 9772  
Fax : (866) 478 - 9620

[www.rotexcontrols.com](http://www.rotexcontrols.com)