

Series AWA 90

- ▶ Absolute rotary-encoder with a solid shaft diameter of 12 mm and parallel output
- ▶ Housing diameter 90 mm, compact design and high degree of protection
- ▶ Maximum resolution 12 Bit
- ▶ For highest industrial requirements
- ▶ Also available in stainless steel for aggressive environmental conditions
- ▶ Accessories from page 78

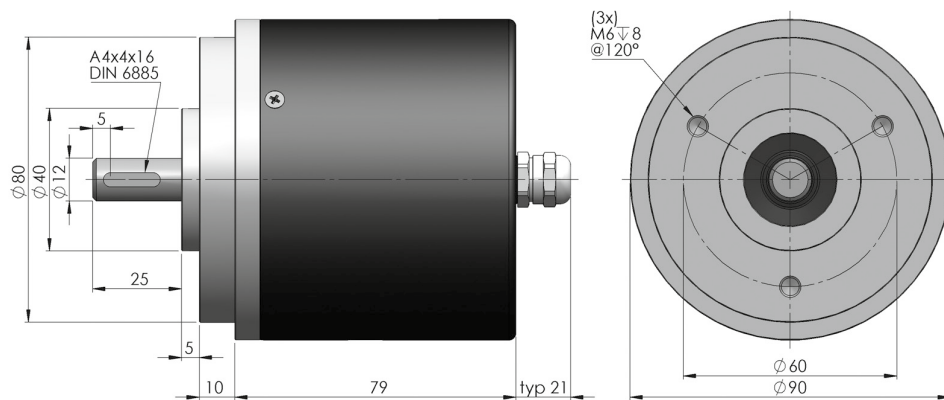
Electrical specifications

Max. step frequency:	25 kHz
Perm. temperature range:	-30°... +70° C
Power supply:	10 V... 30 V DC
Max. current consumption:	160 mA (without load)
Max. output load:	40 mA (per channel)
Residual ripple:	max. $\pm 5\% U_B$

Mechanical specifications

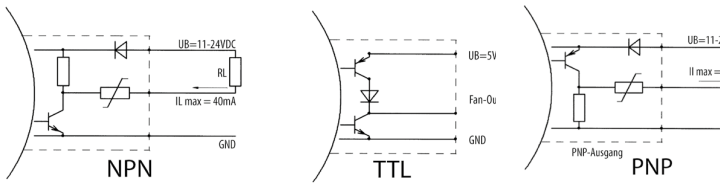
Flange:	Aluminium
Housing:	Powder-coated sheet steel
Shaft:	stainless steel
Shaft seal:	oil/salt-water resistant
Bearing:	Deep groove ball bearing
Weight:	approx 1,2 kg
Protection type:	IP 65
Max. speed:	6.000 U/min
Torque:	approx 5 Ncm
Max. shaft load:	axial 30 N/radial 50 N

Mechanical dimensions



* Tolerance = h 6

Output circuits



Order ref.: 0

3

5

Output code

Output code	Resolution	Inputs	Option
Binary, BCD	2, 4, 8, 16, 32, 64, 128, 256, 512, 1.024, 2.048, 3.600, 4.096	(Optocoupler) Counting direction switchover with + U _B	Latch (Optocoupler input, control with + U _B)
Gray (beginning with 0)	2, 4, 8, 16, 32, 64, 128, 256, 512, 1.024, 2.048, 4.096		
Gray excess (beginning ≠ 0)	45, 90, 180, 360, 720, 1.440, 2.880, 3.600		

Pin configuration

Connection type	BCD*		10 ₀				10 ₁				10 ₂				10 ₃				Option	↔
	GND	+ U _B	1	2	4	8	1	2	4	8	1	2	4	8	1	2	4			
12	1	2	3	4	5	6	7	8	9	10	11	12	-	-	-	-	-	-	-	
16	1	2	3	4	5	6	7	8	9	10	11	12	13	14	15	16	-	-	-	
00	white	brown	green	yellow	gray	pink	blue	red	black	purple	gr/pin	bl/re	wh/gre	br/gre	wh/ye	ye/br	wh/gr	gr/br	wh/pin	

* as of resolution 2048 BCD, only cable output!

Order reference

