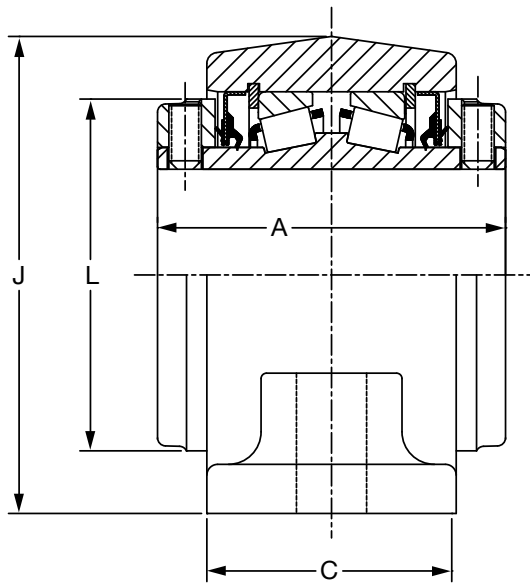
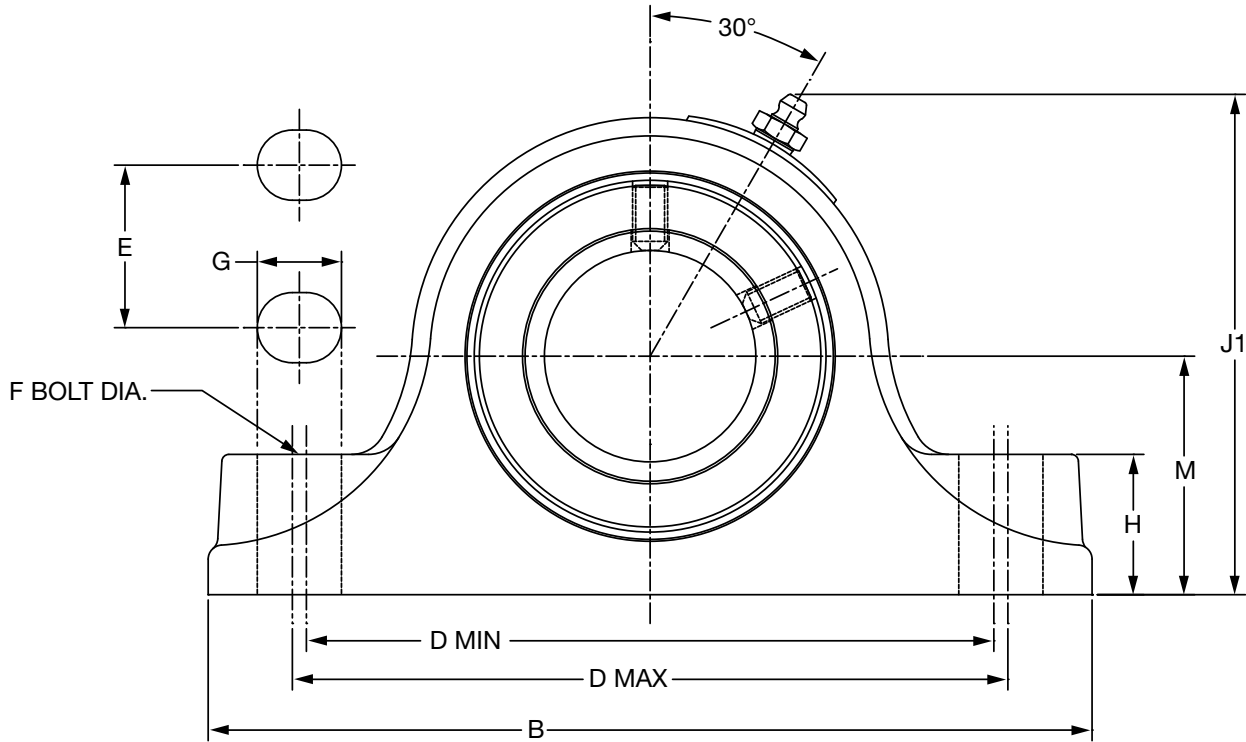


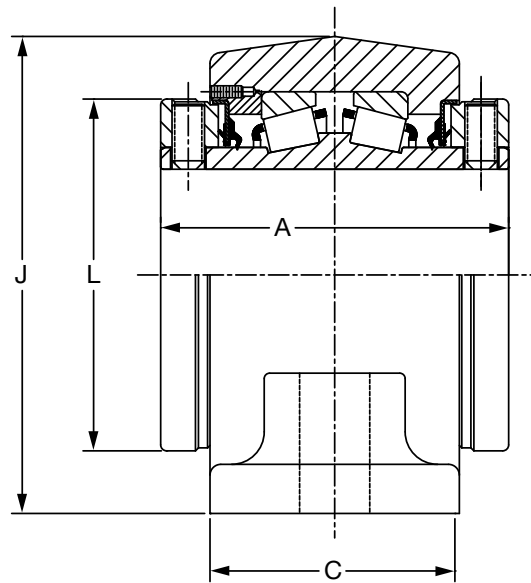
SELECTION/DIMENSIONS



Type E-Xtra - Plummer Block - Metric 2 & 4 BOLT BASE



35mm THRU 75mm CONSTRUCTION



80 mm THRU 125 mm CONSTRUCTION

<p>FEATURES/BENEFITS PAGE B10-2</p>	<p>HOW TO ORDER/NOMENCLATURE PAGE B10-9</p>	<p>EASY SELECTION PAGE B10-15</p>	<p>ACCESSORIES PAGE B10-64</p>
---	---	---------------------------------------	------------------------------------

SELECTION/DIMENSIONS



Type E-Xtra - Plummer Block - Metric

Type E-Xtra Plummer Blocks, 2-Bolt

Shaft Size (mm)	Part Number	Part Name	Weight Lbs. (Approx.)
35mm	023620	P2B-E-035MR	7
40mm	023621	P2B-E-040MR	10
45mm	023622	P2B-E-045MR	12
50mm	023623	P2B-E-050MR	12
55mm	023624	P2B-E-055MR	15
60mm	023625	P2B-E-060MR	20
65mm	023626	P2B-E-065MR	20
70mm	023627	P2B-E-070MR	29
75mm	023628	P2B-E-075MR	27
80mm	023629	P2B-E-080MR	49
85mm	023630	P2B-E-085MR	47
90mm	023631	P2B-E-090MR	45

Type E-Xtra Plummer Blocks, 4-Bolt

Shaft Size (mm)	Part Number	Part Name	Weight Lbs. (Approx.)
100mm	023632	P4B-E-100MR	69
110mm	023633	P4B-E-110MR	85
115mm	023634	P4B-E-115MR	91
125mm	023635	P4B-E-125MR	136
135mm	023636	P4B-E-135MR	245
140mm	023637	P4B-E-140MR	240
150mm	023638	P4B-E-150MR	235
160mm	023639	P4B-E-160MR	355
170mm	023640	P4B-E-170MR	345
180mm	023641	P4B-E-180MR	345

Type E-Xtra Plummer Blocks, 2-Bolt Base

Shaft Size (mm)	A	B	C	D		F Bolts	G	H	J1	L	M
				Min.	Max						
35mm	76.2	187.0	54.0	142.8	149.2	M12	19	29	101.6	70	47.6
40mm	85.7	200.0	60.0	155.5	161.9	M12	19	32	113.5	81	54.0
45mm	88.9	225.0	64.0	174.6	181.0	M16	22	33	119	87	57.2
50mm	95.3	244.0	67.0	193.7	200.0	M16	22	38	131.4	95	63.5
60mm	101.6	267.0	73.0	212.7	219.0	M16	22	41	142.8	103	69.9
65mm	101.6	267.0	73.0	212.7	219.0	M16	22	41	142.8	103	69.9
70mm	114.3	305.0	76.0	236.5	246.0	M20	27	48	161.1	120	79.4
75mm	114.3	305.0	76.0	236.5	246.0	M20	27	48	161.1	120	79.4
80mm	127.0	356.0	89.0	274.6	284.2	M20	30	57	190.5	139.7	95.3
85mm	127.0	356.0	89.0	274.6	284.2	M20	30	57	190.5	139.7	95.3
90mm	127.0	356.0	89.0	274.6	284.2	M20	30	57	190.5	139.7	95.3

Type E-Xtra Plummer Blocks, 4-Bolt Base

Shaft Size (mm)	A	B	C	D		E	F Bolts	G	H	J1	L	M
				Min.	Max							
100mm	158.8	387	114	311.2	323.9	57.2	M20	28	62	216	152.4	108.0
110mm	171.5	422	117	336.6	349.3	63.5	M20	28	70	238	164	120.7
115mm	171.5	422	117	336.6	349.3	63.5	M20	28	70	238	164	120.7
125mm	184.2	470	130	387.4	400.0	73.0	M24	32	76	276	189	139.7
135mm	184.2	470	130	387.4	400.0	73.0	M24	32	76	276	189	139.7
140mm	228.6	559	159	441.3	485.8	95.3	M24	51	83	335	238	169.9
150mm	228.6	559	159	441.3	485.8	95.3	M24	51	83	335	238	169.9
160mm	266.7	660	181	539.8	590.6	117.5	M24	51	94	379	289	190.5
170mm	266.7	660	181	539.8	590.6	117.5	M24	51	94	379	289	190.5
180mm	266.7	660	181	539.8	590.6	117.5	M24	51	94	379	289	190.5

FEATURES/BENEFITS PAGE B10-2	HOW TO ORDER/NOMENCLATURE PAGE B10-9	EASY SELECTION PAGE B10-15	ACCESSORIES PAGE B10-64
---------------------------------	---	-------------------------------	----------------------------

Bearing Reference Guide
 E-Family Roller Bearings
 Specialty Tapered Products
 S-2000
 UNISPHERE II
 IMPERIAL
 UNIFIED SAF