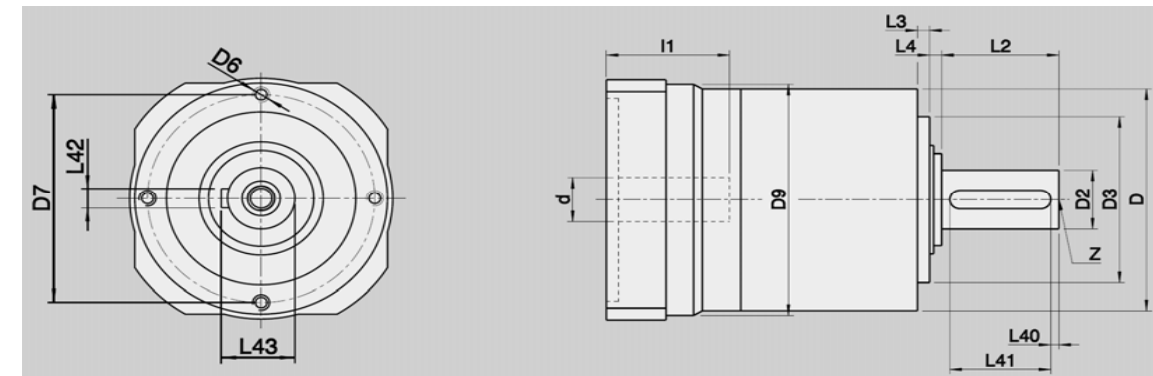


Technical data

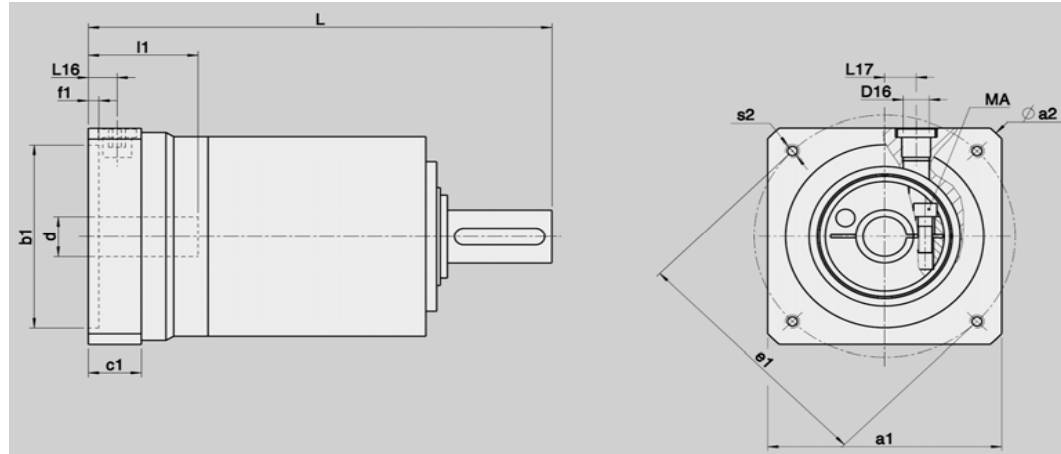
Manufacturer	Type	Gear teeth	Gear stages	Ratio	Backlash	max. nominal torque on output	max. acceleration torque on output	max. radial load (with reference to shaft centre on output shaft)	max. axial load (with reference to shaft centre on output shaft)	Clamping motor shaft	Closure of the lock screw bore
				i	j	T _{2Nzul}	T _{2bzul}	F _{2rzul}	F _{2azul}		
					(arcmin)	(Nm)	(Nm)	(N)	(N)		
Vogel	MPL 050	Spur gear	1	3,0 - 10,0	≤8	15 - 25	32 - 40	1450	1550	1 clamp screw	Lock screw
			2	12,0 - 100,0	≤10						
Vogel	MPV 00	Spur gear	1	3,0 - 10,0	≤10	15 - 25	32 - 40	1500	1550	2 clamp screws	Plastic plugs
			2	12,0 - 100,0	≤15						
Vogel	MPL 100	Spur gear	1	3,0 - 10,0	≤8	45 - 70	80 - 100	2400	1900	1 clamp screw	Lock screw
			2	12,0 - 100,0	≤10						
Vogel	MPV 01	Spur gear	1	3,0 - 10,0	≤10	45 - 70	80 - 100	2500	1900	2 clamp screws	Plastic plugs
			2	12,0 - 100,0	≤15						
Vogel	MPL 200	Spur gear	1	3,0 - 10,0	≤8	110 - 170	200 - 250	4600	4000	1 clamp screw	Lock screw
			2	12,0 - 100,0	≤10						
Vogel	MPV 02	Spur gear	1	3,0 - 10,0	≤10	110 - 170	200 - 250	4700	4000	2 clamp screws	Plastic plugs
			2	12,0 - 100,0	≤15						
Vogel	MPL 300	Spur gear	1	3,0 - 10,0	≤8	220 - 360	400 - 500	7500	6000	1 clamp screw	Lock screw
			2	12,0 - 100,0	≤10						
Vogel	MPV 03	Spur gear	1	3,0 - 10,0	≤10	220 - 360	400 - 500	7600	6000	2 clamp screws	Plastic plugs
			2	12,0 - 100,0	≤15						

Dimensions



D	D2 x L2	D3	D6	D7	D9	L3	L4	L40	L41	L42	L43	Z
(mm)	(mm)	(mm)	(mm)	(mm)	(mm)	(mm)	(mm)	(mm)	(mm)	(mm)	(mm)	
	k6	h6								h9		DIN 332
70	16 x 28	52	M5 x 10	62	75	5	3	2	22	5	18,0	DM5
70	16 x 28	52	M5 x 10	62	-	5	3	2	22	5	18,0	DM5
90	22 x 36	68	M6 x 12	80	95	5	5	2	28	6	24,5	DM8
90	22 x 36	68	M6 x 12	80	-	5	5	2	32	6	24,5	DM8
120	32 x 58	90	M8 x 16	108	125	6	6	4	50	10	35,0	DM12
120	32 x 58	90	M8 x 16	108	-	6	6	4	50	10	35,0	DM12
155	40 x 82	120	M10 x 20	140	160	8	7	4	70	12	43,0	DM16
155	40 x 82	120	M10 x 20	140	-	8	7	4	70	12	43,0	DM16

Dimensions 1-stage



i	d x l1	L	L16	L17	c1	f1	D16	Screw type	MA
	(mm)	(mm)	(mm)	(mm)	(mm)	(mm)	(mm)		(Nm)

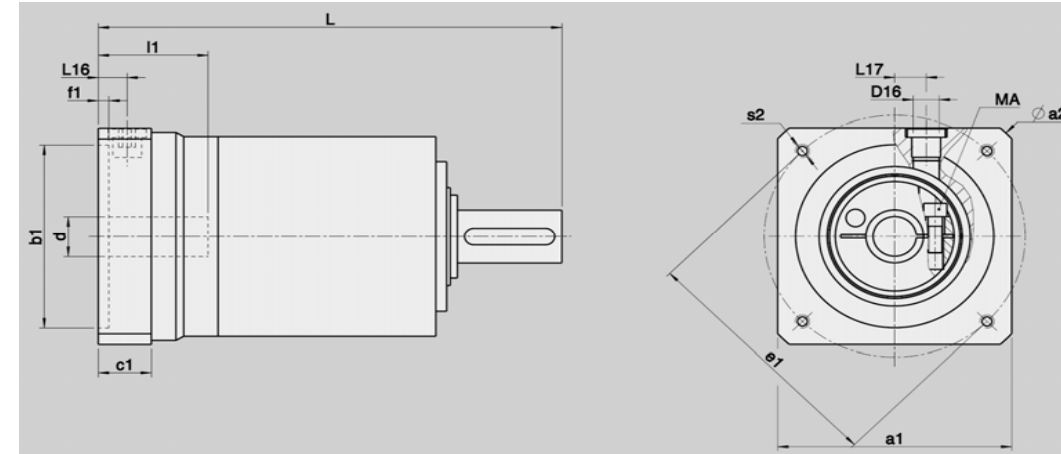
MPL 050	3,0 - 10,0	9 x 20	128,5	10,5	10 - 12	18,5	4,5	M10 x 1	M5 / 12.9	9
		11 x 23	128,5	10,5	10 - 12	18,5	4,5	M10 x 1	M5 / 12.9	9
		14 x 30	128,5	10,5	10 - 12	18,5	4,5	M10 x 1	M5 / 12.9	9
MPV 00	3,0 - 10,0	9 x 20	130,0	10,0	10	16,0	4,5	8,5	M5 / 8.8	5
		11 x 23	130,0	10,0	10	16,0	4,5	8,5	M5 / 8.8	5
		14 x 30	130,0	10,0	10	16,0	4,5	8,5	M5 / 8.8	5
		16 x 40	150,0	30,0	11	36,0	4,5	8,5	M5 / 12.9	9

MPL 100	3,0 - 10,0	9 x 20	157,5	13,5	12 - 16	24,5	4,5	M12 x 1,5	M6 / 12.9	16
		11 x 23	157,5	13,5	12 - 16	24,5	4,5	M12 x 1,5	M6 / 12.9	16
		14 x 30	157,5	13,5	12 - 16	24,5	4,5	M12 x 1,5	M6 / 12.9	16
		19 x 40	157,5	13,5	12 - 16	24,5	4,5	M12 x 1,5	M6 / 12.9	16
MPV 01	3,0 - 10,0	9 x 20	158,0	13,0	13	22,0	5,0	10,0	M5 / 8.8	5
		11 x 23	158,0	13,0	13	22,0	5,0	10,0	M5 / 12.9	9
		14 x 30	158,0	13,0	13	22,0	5,0	10,0	M5 / 12.9	9
		19 x 40	158,0	13,0	13	22,0	5,0	10,0	M5 / 12.9	9
		24 x 50	168,0	23,0	15	32,0	5,0	10,0	M5 / 12.9	9

MPL 200	3,0 - 10,0	9 x 20	224,0	16,0	21 - 24	29,5	6,0	M16 x 1,5	M10 / 12.9	80
		11 x 23	224,0	16,0	21 - 24	29,5	6,0	M16 x 1,5	M10 / 12.9	80
		14 x 30	224,0	16,0	21 - 24	29,5	6,0	M16 x 1,5	M10 / 12.9	80
		19 x 40	224,0	16,0	21 - 24	29,5	6,0	M16 x 1,5	M10 / 12.9	80
		24 x 50	224,0	16,0	21 - 24	29,5	6,0	M16 x 1,5	M10 / 12.9	80
		28 x 60	224,0	16,0	21 - 24	29,5	6,0	M16 x 1,5	M10 / 12.9	80
		32 x 60	224,0	16,0	21 - 24	29,5	6,0	M16 x 1,5	M10 / 12.9	80
MPV 02	3,0 - 10,0	14 x 30	207,0	15,0	17	25,0	6,0	14,0	M6 / 12.9	16
		19 x 40	207,0	15,0	17	25,0	6,0	14,0	M6 / 12.9	16
		24 x 50	207,0	15,0	17	25,0	6,0	14,0	M8 / 12.9	40
		28 x 60	217,0	25,0	19	35,0	6,0	14,0	M8 / 12.9	40
		32 x 60	217,0	25,0	19	35,0	6,0	14,0	M8 / 12.9	40

MPL 300	3,0 - 10,0	19 x 40	289,5	20,5	24 - 26	36,5	6,0	M20 x 1,5	M10 / 12.9	80
		24 x 50	289,5	20,5	24 - 26	36,5	6,0	M20 x 1,5	M10 / 12.9	80
		28 x 60	289,5	20,5	24 - 26	36,5	6,0	M20 x 1,5	M10 / 12.9	80
		32 x 60	289,5	20,5	24 - 26	36,5	6,0	M20 x 1,5	M10 / 12.9	80
		38 x 80	289,5	20,5	24 - 26	36,5	6,0	M20 x 1,5	M10 / 12.9	80
MPV 03	3,0 - 10,0	19 x 40	262,0	18,0	24	30,0	6,0	17,5	M6 / 12.9	16
		24 x 50	262,0	18,0	24	30,0	6,0	17,5	M8 / 12.9	40
		28 x 60	262,0	18,0	24	30,0	6,0	17,5	M10 / 12.9	80
		32 x 60	262,0	18,0	24	30,0	6,0	17,5	M10 / 12.9	80
		38 x 80	282,0	38,0	24	50,0	6,0	17,5	M10 / 12.9	80

Dimensions 2-stage



i	d x l1	L	L16	L17	c1	f1	D16	Screw type	MA
	(mm)	(mm)	(mm)	(mm)	(mm)	(mm)	(mm)		(Nm)

MPL 050	12,0 - 100,0	9 x 20	150,5	10,5	10 - 12	18,5	4,5	M10 x 1	M5 / 12.9	9
		11 x 23	150,5	10,5	10 - 12	18,5	4,5	M10 x 1	M5 / 12.9	9
		14 x 30	150,5	10,5	10 - 12	18,5	4,5	M10 x 1	M5 / 12.9	9
MPV 00	12,0 - 100,0	9 x 20	152,0	10,0	10	16,0	4,5	8,5	M5 / 8.8	5
		11 x 23	152,0	10,0	10	16,0	4,5	8,5	M5 / 8.8	5
		14 x 30	152,0	10,0	10	16,0	4,5	8,5	M5 / 8.8	5
		16 x 40	172,0	30,0	11	36,0	4,5	8,5	M5 / 12.9	9

MPL 100	12,0 - 100,0	9 x 20	184,5	13,5	12 - 16	24,5	4,5	M12 x 1,5	M6 / 12.9	16
		11 x 23	184,5	13,5	12 - 16	24,5	4,5	M12 x 1,5	M6 / 12.9	16
		14 x 30	184,5	13,5	12 - 16	24,5	4,5	M12 x 1,5	M6 / 12.9	16
		19 x 40	184,5	13,5	12 - 16	24,5	4,5	M12 x 1,5	M6 / 12.9	16
MPV 01	12,0 - 100,0	9 x 20	170,0	10,0	10	16,0	4,5	8,5	M5 / 8.8	5
		11 x 23	170,0	10,0	10	16,0	4,5	8,5	M5 / 8.8	5
		14 x 30	170,0	10,0	10	16,0	4,5	8,5	M5 / 8.8	5
		19 x 40	185,0	13,0	13	22,0	5,0	10,0	M5 / 12.9	9
		24 x 50	195,0	23,0	15	32,0	5,0	10,0	M5 / 12.9	9

MPL 200	12,0 - 100,0	9 x 20	257,5	16,0	21 - 24	29,5	6,0	M16 x 1,5	M10 / 12.9	80
		11 x 23	257,5	16,0	21 - 24	29,5	6,0	M16 x 1,5	M10 / 12.9	80
		14 x 30	257,5	16,0	21 - 24	29,5	6,0	M16 x 1,5	M10 / 12.9	80
		19 x 40	257,5	16,0	21 - 24	29,5	6,0	M16 x 1,5	M10 / 12.9	80
		24 x 50	257,5	16,0	21 - 24	29,5	6,0	M16 x 1,5	M10 / 12.9	80
		28 x 60	257,5	16,0	21 - 24	29,5	6,0	M16 x 1,5	M10 / 12.9	80
		32 x 60	257,5	16,0	21 - 24	29,5	6,0	M16 x 1,5	M10 / 12.9	80
MPV 02	12,0 - 100,0	9 x 20	224,0	13,0	13	22,0	5,0	10,0	M5 / 8.8	5
		11 x 23	224,0	13,0	13	22,0	5,0	10,0	M5 / 12.9	9
		14 x 30	224,0	13,0	13	22,0	5,0	10,0	M5 / 12.9	9
		19 x 40	224,0	13,0	13	22,0	5,0	10,0	M5 / 12.9	9
		24 x 50	240,0	15,0	17	25,0	6,0	14,0	M8 / 12.9	40
		28 x 60	250,0	25,0	21	35,0	6,0	14,0	M8 / 12.9	40
		32 x 60	250,0	25,0	21	35,0	6,0	14,0	M8 / 12.9	40

MPL 300	12,0 - 100,0	19 x 40	331,5	20,5	24 - 26	36,5	6,0	M20 x 1,5	M10 / 12.9	80
		24 x 50	331,5	20,5	24 - 26	36,5	6,0	M20 x 1,5	M10 / 12.9	80
		28 x 60	331,5	20,5	24 - 26	36,5	6,0	M20 x 1,5	M10 / 12.9	80
		32 x 60	331,5	20,5	24 - 26	36,5	6,0	M20 x 1,5	M10 / 12.9	80
		38 x 80	331,5	20,5	24 - 26	36,5	6,0	M20 x 1,5	M10 / 12.9	80
		14 x 30	285,5	15,0	17	25,0	6,0	14,0	M6 / 12.9	16
MPV 03	12,0 - 100,0	19 x 40	285,5	15,0	17	25,0	6,0	14,0	M6 / 12.9	16
		24 x 50	285,5	15,0	17	25,0	6,0	14,0	M8 / 12.9	40
		28 x 60	303,0	18,0	24	30,0	6,0	17,5	M10 / 12.9	80
		32 x 60	303,0	18,0	24	30,0	6,0	17,5	M10 / 12.9	80
		38 x 80	323,0	38,0	24	50,0	6,0	17,5	M10 / 12.9	80