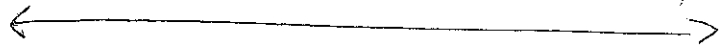


# Earth Leakage Circuit Breakers

## G-TWIN series

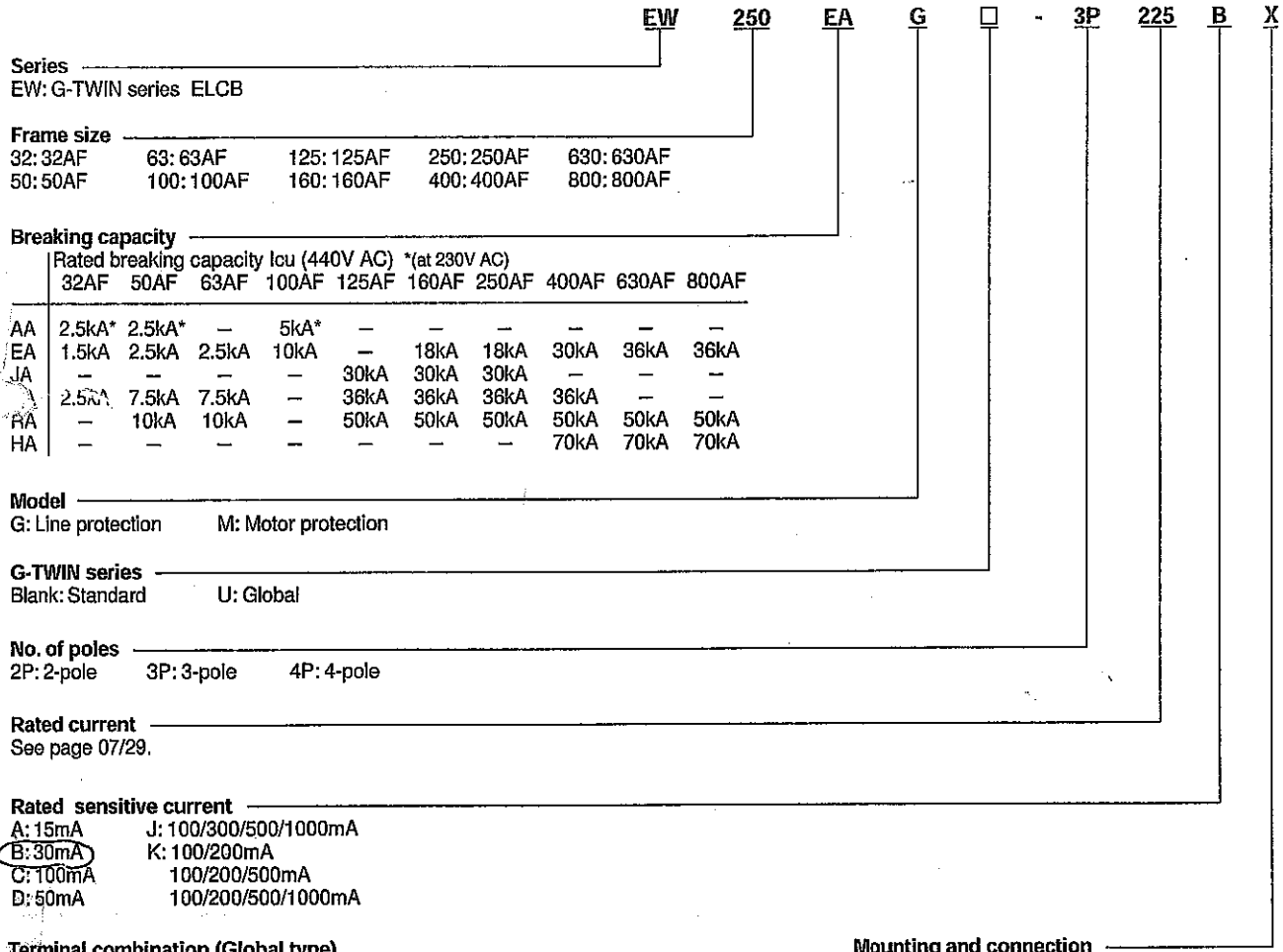
### Type number nomenclature

Standard



EW 50 AA G - 3P 030 B

#### Type number nomenclature



#### Terminal combination (Global type)

Code	Terminal position		Applicable breaker type		
	Line	Load	EW50, 100	EW125, 250	EW400, 630
Blank	Screw	Screw	●	●	—
Blank	Flat terminal	Flat terminal	—	—	●
SB	Block terminal	Block terminal	—	●	●
SF	Flat terminal	Flat terminal	●	●	—
S3	Screw	Flat terminal	●	●	—
S4	Flat terminal	Screw	●	●	—
S5	Screw	Block terminal	—	●	—
S6	Block terminal	Screw	—	●	—
S7	Flat terminal	Block terminal	—	●	●
S8	Block terminal	Flat terminal	—	●	●

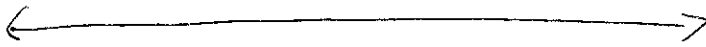
#### Mounting and connection

##### • Standard type

- Blank: Front mounting, front connection
- X: Front mounting, rear connection
- E: Flush mounting, rear connection
- Y: Flush mounting, top & bottom connection
- P: Plug-in mounting

Earth Leakage Circuit Breakers  
G-TWIN series  
Type number nomenclature

Option



W      K      F□      R□      A      Q2      M□      UC

**Enclosure**

UC: Standard  
UV: Dust-proof  
UW: Rain-proof

**With motor operating device (32 - 100AF)**

□: DC100V  
AC100-110V  
AC200-220V

**Pad locking device**

Q2: Plate type

**Connection method (internal accessories)**

Blank: Lead-wire system  
A: Terminal block system

**Undervoltage trip device (External)\***

• 32/50/63/100AF  
□: DC24V  
: DC100-110V  
: AC100V (50Hz) / AC100-110V (60Hz)  
: AC200V (50Hz) / AC200-220V (60Hz)  
: AC400V (50Hz) / AC400-440V (60Hz)

**Undervoltage trip device (Internal)\***

• 125/160/250AF      • 400/630/800AF  
□: DC24V      : AC/DC24V  
: DC48V      : AC/DC48V  
: DC100-110V      : AC/DC100-110V  
: DC125V / AC100-110V      : AC120-130V / DC125V  
: AC110-130V      : AC200-240V / DC200-220V  
: AC200-240V      : AC277V  
: AC277V      : AC380-480V  
: AC380-415V

**Shunt trip device (External)\***

• 32/50/63/100AF  
□: DC24V  
: DC100-110V  
: AC100 (50Hz) / AC100-110V (60Hz)  
: AC200 (50Hz) / AC200-220V (60Hz)  
: AC400 (50Hz) / AC400-440V (60Hz)

**Shunt trip device (Internal)\***

• 125/160/250AF      • 400/630/800AF  
□: AC/DC24V      : AC/DC24-48V  
: AC/DC48V      : AC100-240V / DC100-220V  
: AC100-120V / DC100-110V      : AC277V  
: AC120-130V      : AC380-550V  
: AC200-240V / DC200-220V  
: AC277V  
: AC380-440V  
: AC440-480V  
: AC500-550V

**Alarm switch\***

K: Standard SPDT  
J: Standard 2PDT  
8: For low level circuit SPDT  
9: For low level circuit 2PDT

**Auxiliary switch\***

W: Standard SPDT  
V: Standard 2PDT  
1: For low level circuit SPDT  
2: For low level circuit 2PDT

\* For the available configuration of accessory, see page 07/82.

07

# Earth Leakage Circuit Breakers

## G-TWIN series

### Quick reference guide

#### ■ G-TWIN Standard Series



Ampere frame			50A				
Type			EW50AAG	EW50EAG	EW50SAG	EW50RAG	
Pole			2	3	3	3	
Rated current	Reference amb. temp. (40°C)	In(A)	5, 10, 15, 20, 30, 32, 40, 50	5, 10, 15, 20, 30, 32, 40, 50	5, 10, 15, 20, 30, 32, 40, 50	10, 15, 20, 30, 32, 40, 50	
Rated impulse withstand voltage			Uimp(kV)	2.5	4	6	
Isolation compliant			●	●	●	●	
Rated voltage Ue (AC V)			100-230	100-230-440	100-230-440	100-230-440	
Rated sensitive current (mA)			15, 30, 100	15, 30, 100/200 changeover	30, 100/200/500 changeover	30, 100/200/500 changeover	
Tripping time (s)			0.1 or less	0.1 or less	0.1 or less	0.1 or less	
Rated breaking capacity Icu/Ics (kA)	IEC 60947-2 EN 60947-2 JIS C 8201-2-2	AC	440V	-	2.5/2	7.5/4	10/5
			415V	-	2.5/2	7.5/4	10/5
			400V	-	2.5/2	7.5/4	10/5
			380V	-	2.5/2	7.5/4	10/5
			230V	2.5/2	5/3	10/5	25/13
			200V	2.5/2	5/3	10/5	25/13
			100V	2.5/2	5/3	10/5	25/13
			GB14048.2	AC	400V	-	2.5/2
230V	2.5/2	5/3	10/5		25/13		
Conforming to standards	CE Marking		● (TÜV)	● (TÜV)	● (TÜV)	● (TÜV)	
	CCC certificate		●	●	●	●	
	Electrical Appliance and Material Safety Law <sup>41</sup>		●	●	●	●	
Dimensions (mm)		a	50	75	75	75	
		b	100		100	100	
		c	60		60	60	
		d	84		84	84	
		Mass (kg)		0.4	0.6	0.6	0.6
Tripping device			Hydraulic-magnetic				
Front mounting, front connection	No-mark	○					
Front mounting, rear connection	X	○					
Flush mounting, front connection	E	○					
Flush mounting, top & bottom connection	Y	○					
Plug-in mounting	P	○					
IEC 35mm wide rail mounting	No-mark	○					
Internal accessories			Page 07/57				
Alarm switch	K	○					
Auxiliary switch	W	○					
Undervoltage trip	R	○					
Shunt trip	F	○					
Earth alarm switch	L	-					
External accessories			Page 07/80				
Handle padlocking device	Cap type	QN	○				
Handle padlocking device	Plate type	Q2	▲				
Operating handle	N-type	N	○				
Operating handle	V-type	V	○				
Terminal cover	Short	BT□S	○				
Terminal cover	Long	BT□L	○				
Insulation barrier	Interphase	BP	○				
	Earth	BL	○				
Handle locking cover		L1	○				
Flat terminal		SS	○				
Block terminal		SL	-				

●: Approved ○: Available - : Not available ▲: Factory-mounted accessory  
 Note: <sup>41</sup> Electrical Appliance and Material Safety Law of Japan

Rated voltage (V)	Operational voltage range (V)
100-230	80-264
100-230-440	80-484

07

# Earth Leakage Circuit Breakers G-TWIN series Type number/Line protection

### ■ Type number, Standard series (Line protection)

#### ● AAG series, 2-pole IEC/EN/GB/JIS conformed

Breaker ampere frame	Rated current (A)	Type	<input checked="" type="checkbox"/> : Rated sensitive current	<input type="checkbox"/> : Available mounting and connection
32	5	EW32AAG-2P005 <input type="checkbox"/>	A, B, C	Blank, X, E, Y, P
	10	EW32AAG-2P010 <input type="checkbox"/>		
	15	EW32AAG-2P015 <input type="checkbox"/>		
	20	EW32AAG-2P020 <input type="checkbox"/>		
	30	EW32AAG-2P030 <input type="checkbox"/>		
	32	EW32AAG-2P032 <input type="checkbox"/>		
50	5	EW50AAG-2P005 <input type="checkbox"/>	A, B, C	Blank, X, E, Y, P
	10	EW50AAG-2P010 <input type="checkbox"/>		
	15	EW50AAG-2P015 <input type="checkbox"/>		
	20	EW50AAG-2P020 <input type="checkbox"/>		
	30	EW50AAG-2P030 <input type="checkbox"/>		
	32	EW50AAG-2P032 <input type="checkbox"/>		
	40	EW50AAG-2P040 <input type="checkbox"/>		
	50	EW50AAG-2P050 <input type="checkbox"/>		

#### ● AAG series, 3-pole IEC/EN/GB/JIS conformed

Breaker ampere frame	Rated current (A)	Type	<input checked="" type="checkbox"/> : Rated sensitive current	<input type="checkbox"/> : Available mounting and connection
32	5	EW32AAG-3P005 <input type="checkbox"/>	A, B, C	Blank, X, E, Y, P
	10	EW32AAG-3P010 <input type="checkbox"/>		
	15	EW32AAG-3P015 <input type="checkbox"/>		
	20	EW32AAG-3P020 <input type="checkbox"/>		
	30	EW32AAG-3P030 <input type="checkbox"/>		
	32	EW32AAG-3P032 <input type="checkbox"/>		
50	5	EW50AAG-3P005 <input type="checkbox"/>	A, B, C	Blank, X, E, Y, P
	10	EW50AAG-3P010 <input type="checkbox"/>		
	15	EW50AAG-3P015 <input type="checkbox"/>		
	20	EW50AAG-3P020 <input type="checkbox"/>		
	30	EW50AAG-3P030 <input type="checkbox"/>		
	32	EW50AAG-3P032 <input type="checkbox"/>		
	40	EW50AAG-3P040 <input type="checkbox"/>		
100	60	EW100AAG-3P060 <input type="checkbox"/>	B, K	Blank, X, E, Y, P
	63	EW100AAG-3P063 <input type="checkbox"/>		
	75	EW100AAG-3P075 <input type="checkbox"/>		
	100	EW100AAG-3P100 <input type="checkbox"/>		

#### ● EAG series, 2-pole IEC/EN/GB/JIS conformed

Breaker ampere frame	Rated current (A)	Type	<input checked="" type="checkbox"/> : Rated sensitive current	<input type="checkbox"/> : Available mounting and connection
100	50	EW100EAG-2P050 <input type="checkbox"/>	B, K	Blank, X, E, Y, P
	60	EW100EAG-2P060 <input type="checkbox"/>		
	63	EW100EAG-2P063 <input type="checkbox"/>		
	75	EW100EAG-2P075 <input type="checkbox"/>		
	100	EW100EAG-2P100 <input type="checkbox"/>		

#### ● JAG series, 3-pole IEC/EN/GB/JIS conformed

Breaker ampere frame	Rated current (A)	Type	<input checked="" type="checkbox"/> : Rated sensitive current	<input type="checkbox"/> : Available mounting and connection
125	15	EW125JAG-3P015 <input type="checkbox"/>	B, J	Blank, X, E, P
	20	EW125JAG-3P020 <input type="checkbox"/>		
	30	EW125JAG-3P030 <input type="checkbox"/>		
	40	EW125JAG-3P040 <input type="checkbox"/>		
	50	EW125JAG-3P050 <input type="checkbox"/>		
	60	EW125JAG-3P060 <input type="checkbox"/>		
	75	EW125JAG-3P075 <input type="checkbox"/>		
	100	EW125JAG-3P100 <input type="checkbox"/>		
160	125	EW160JAG-3P125 <input type="checkbox"/>	B, J	Blank, X, E, P
	150	EW160JAG-3P150 <input type="checkbox"/>		
	160	EW160JAG-3P160 <input type="checkbox"/>		
250	175	EW250JAG-3P175 <input type="checkbox"/>	B, J	Blank, X, E, P
	200	EW250JAG-3P200 <input type="checkbox"/>		
	225	EW250JAG-3P225 <input type="checkbox"/>		
	250	EW250JAG-3P250 <input type="checkbox"/>		

07

Mounting	Connection	<input type="checkbox"/>
Front	Front	Blank
Front	Rear	X
Flush	Rear	E
Flush	Top and bottom	Y
Plug-in		P

Rated sensitive current	<input checked="" type="checkbox"/>
15mA	A
30mA	B
100mA	C
50mA	D
100/300/500/1000mA changeover	J
100/200mA, 100/200/500mA changeover	K
100/200/500/1000mA changeover	K

# Earth Leakage Circuit Breakers

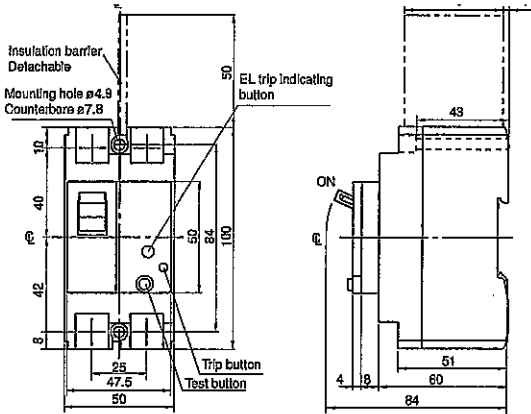
## G-TWIN series

### Dimensions / Standard

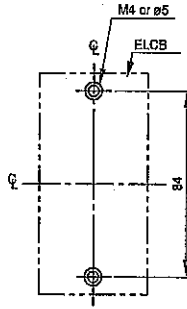
■ Dimensions, mm

● Front mounting, front connection

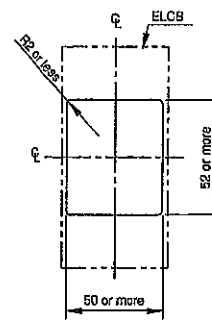
EW32□-2P, EW50□-2P



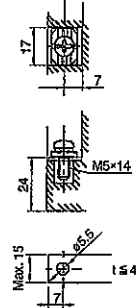
Panel drilling



Front panel cutting

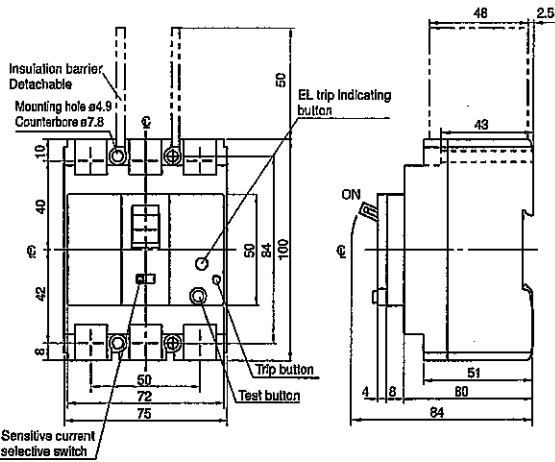


Terminal section

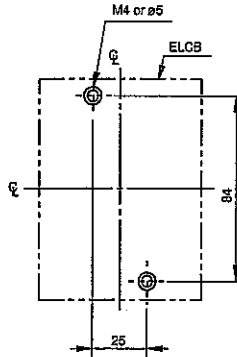


Insulation barriers  
Standard provided: EW50SAG, EW50RAG  
Optional: EW32AAG, EW50EAG

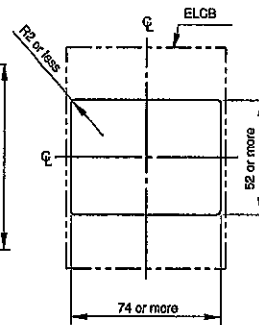
EW32□-3P, EW50□-3P



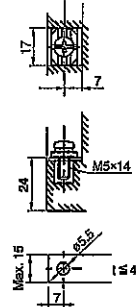
Panel drilling



Front panel cutting

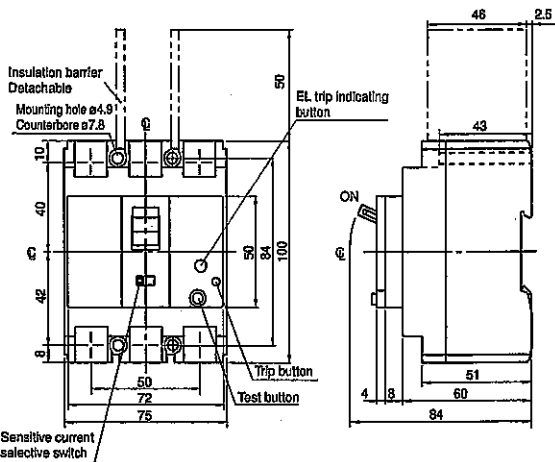


Terminal section

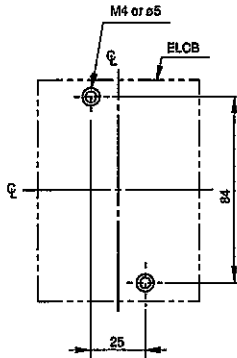


Insulation barriers  
Standard provided: EW50SAG, EW50RAG  
Optional: EW32AAG, EW32SAG, EW50EAG

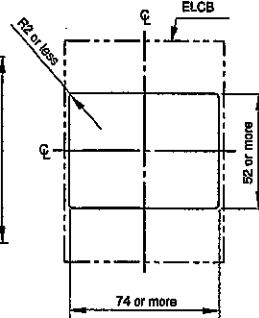
EW63□-3P



Panel drilling



Front panel cutting



Terminal section

