

## lubricator G1/4" ...G1" series Gold LU04

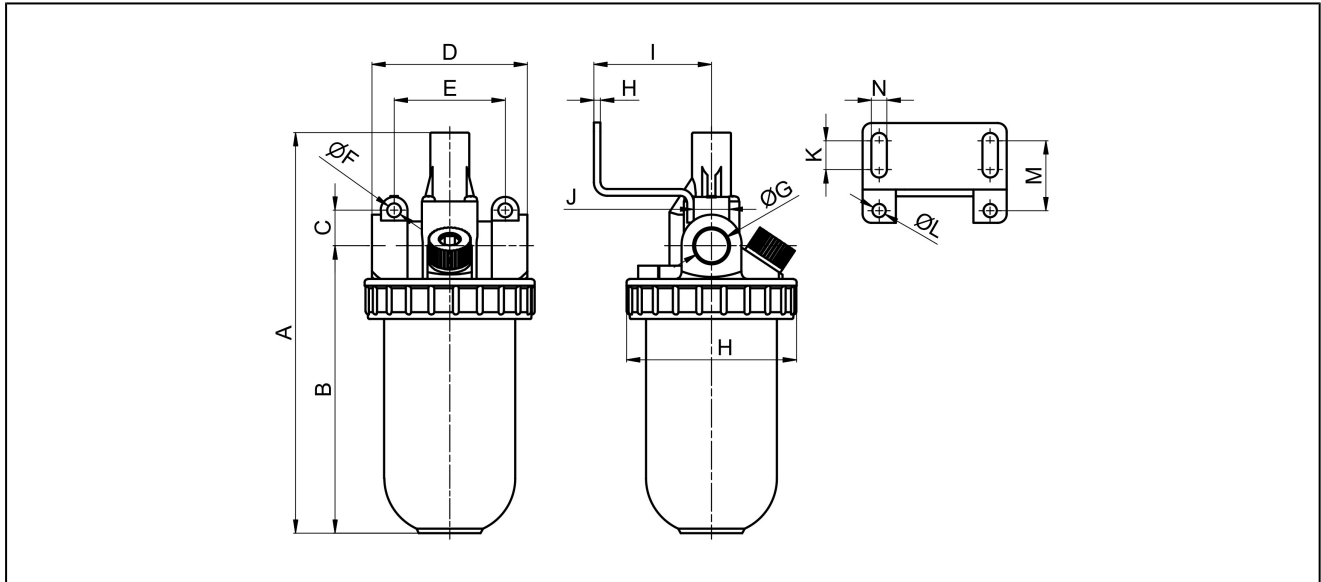


design	proportional lubricator, oil re-filling possible under pressure
connection	G1/4" ...G1" according to ISO228/1
materials	body zinc die casting, lubricator-bowl polycarbonat or metal, seals NBR
oil metering	1...2 drops/min. at Q <sub>N</sub> = 1000 NI/min
type of fixing	installation in a pipe system or wall mounting with mounting bracket
mounting position	vertical
medium	filtered compressed air
oil recommendation	HP32A (temperature range 0...50°C), NR32 (temperature range -35...85°C)
medium temperature	with plastic bowl 0...+60°C, with metal bowl 0...+60°C (with appropriately conditioned compressed air -10...+60°C)
ambient temperature	with plastic bowl 0...60°C, with metal bowl -10...60°C
inlet pressure	1...16bar respectively 1...25bar according to table
flow direction	is marked by an arrow

### order code

		LU04 - 14 H - P	
	1/4"	14	
	3/8"	38	
	1/2"	12	
	3/4"	34	
<b>connection</b>	1"	10	
<b>flow rate</b>	standard (blank position)		
	high flow rate		H
<b>bowl</b>	plastic bowl (blank position)		
	plastic bowl with protection cage		P
	metal bowl		M

## dimension

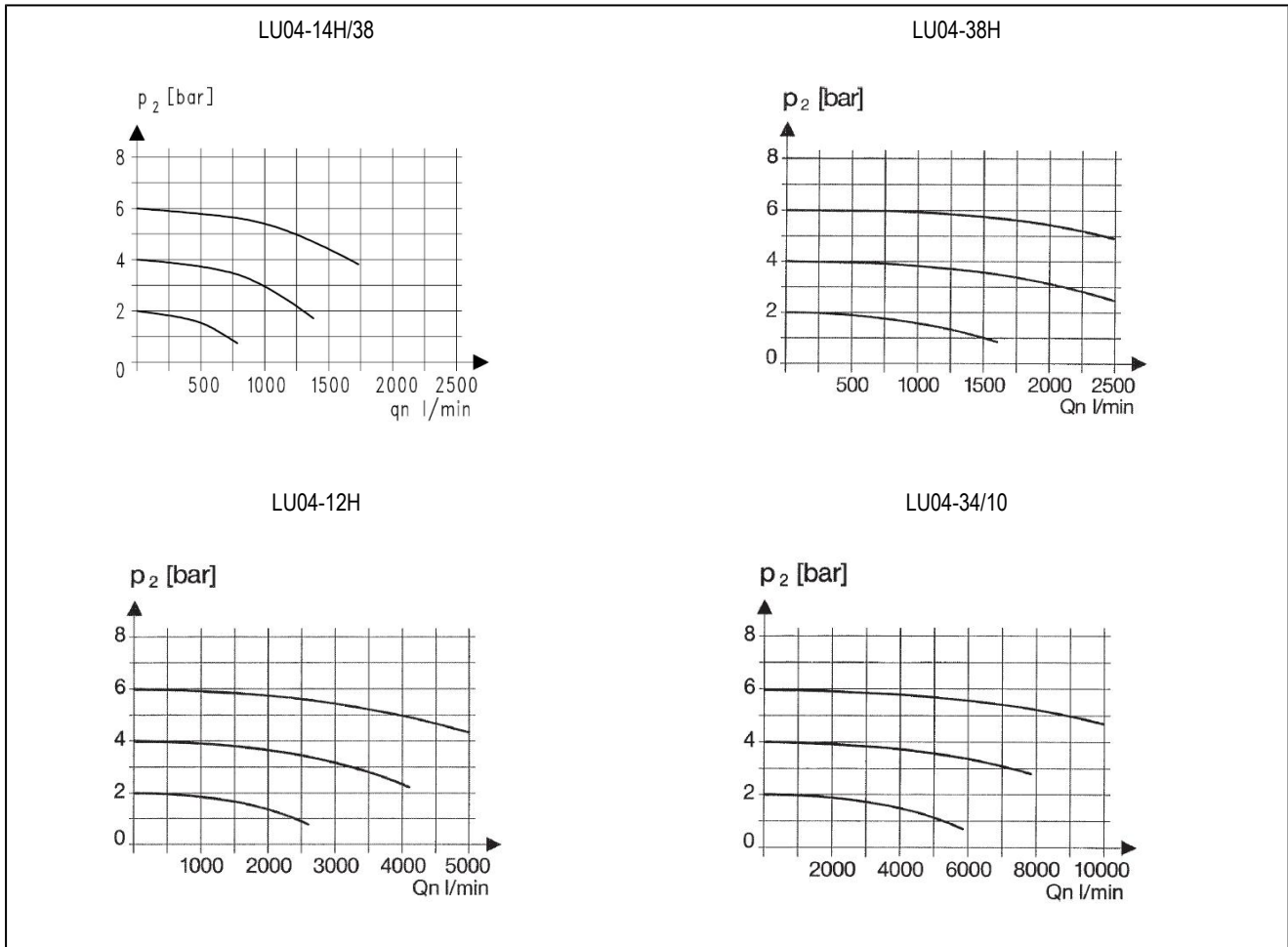


connection G	A	B	C	D	E	F	H	I	J	K	L	M	N	type
G1/4"	169	118	14	50	38	5,3	3	39,5	15	8	M5	24	5,4	LU04-14H
G3/8"	169	118	14	50	38	5,3	3	39,5	15	8	M5	24	5,4	LU04-38
G3/8"	180,5	129,5	16	70	50	6,2	3	53	16	13	M6	31,5	7	LU04-38H
G1/2"	212	157	18	79	50	6,2	3	55	20	13	M6	31,5	7	LU04-12H
G3/4"	218	160	26,5	90	50	6,2	3	55	20	13	M6	31,5	7	LU04-34
G1"	218	160	26,5	90	50	6,2	3	55	20	13	M6	31,5	7	LU04-10

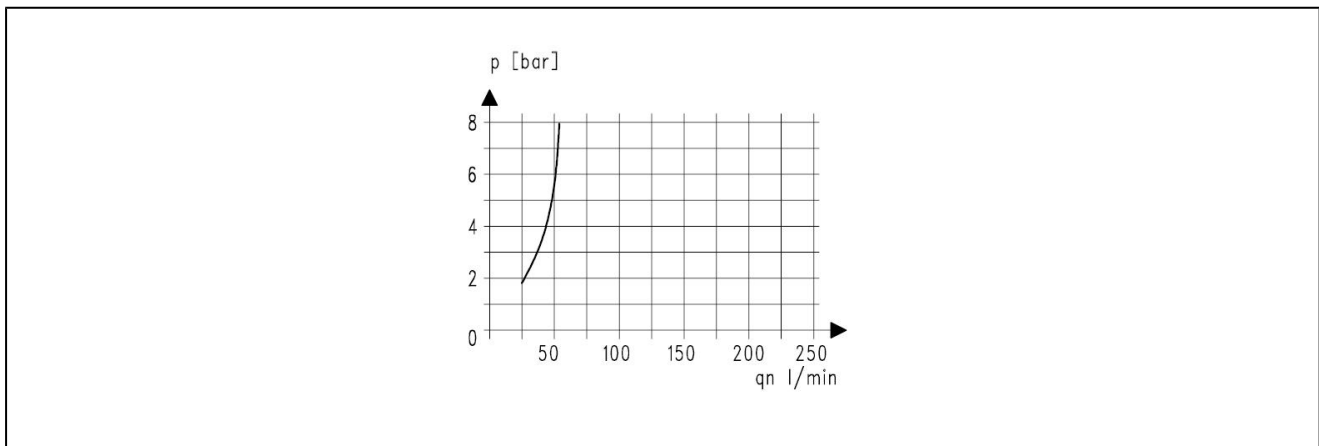
connection	flow at 6bar* [l/min]	inlet pressure [bar]	weight [approx. kg]	type
G1/4"	1200	1...16	0,4	LU04-14H
G1/4"	1200	1...16	0,5	LU04-14H-P
G1/4"	1200	1...25	0,4	LU04-14H-M
G3/8"	1200	1...16	0,4	LU04-38
G3/8"	1200	1...16	0,5	LU04-38-P
G3/8"	1200	1...25	0,4	LU04-38-M
G3/8"	2400	1...16	0,6	LU04-38H
G3/8"	2400	1...16	0,8	LU04-38H-P
G3/8"	2400	1...25	0,7	LU04-38H-M
G1/2"	4000	1...16	0,8	LU04-12H
G1/2"	4000	1...16	1	LU04-12H-P
G1/2"	4000	1...25	0,9	LU04-12H-M
G3/4"	9000	1...16	1,1	LU04-34
G3/4"	9000	1...16	1,3	LU04-34-P
G3/4"	9000	1...25	1,2	LU04-34-M
G1"	9000	1...16	0,9	LU04-10
G1"	9000	1...16	1,2	LU04-10-P
G1"	9000	1...25	1,1	LU04-10-M

\*flow rate at input pressure of 6bar and 1bar pressure drop

## flow diagram



## lubricator-limit



## accessories

designation	type
mounting bracket (completely) for G1/4" and G3/8" (type LU04-38)	MMB04-14H/38
mounting bracket (completely) for G3/8" (type LU04-38H) to G1"	MMB04-38H/10

illustrations are for information only and are non-binding  
all designs, configurations, measurements and materials are subject to change without prior notice