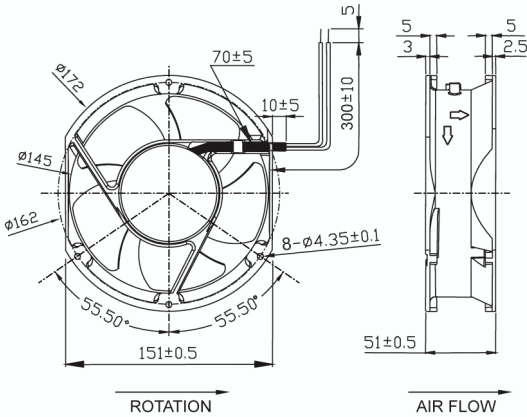
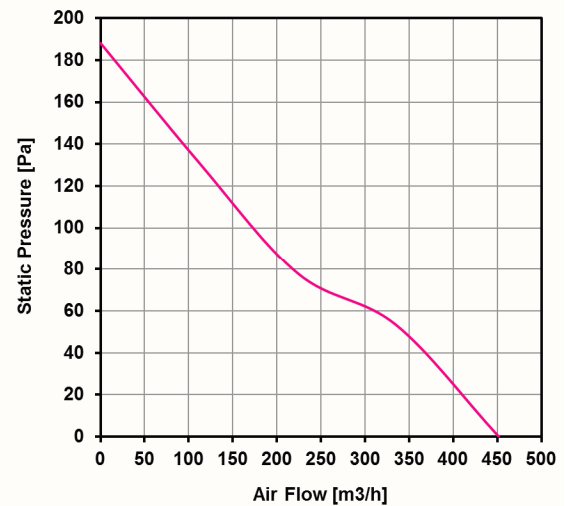


**"D17CA" SERIES COSTECH FANS**

Description: **Axial c.c. 172x150x51 mm**



**Casing material:** aluminum alloy  
**Impeller material:** UL 94V-0 glass filled polyester (PBT)  
**Protection degree:** IP20, according to EN 60529 standard  
**Fixing system:** by No. 4 M4 screws  
**Motor protection:** IC  
**Storage temperature:** from -40°C to +70°C  
**Rated temperature range:** from -10°C to +70°C  
**Lifetime L10 at 40°C:** 70,000 h  
**Electrical connection:** 2 leads 22AWG UL 1061, 300 mm long.  
**Approvals:** UL E223195  
**Weight:** 762g



Model	Bearing	Voltage (V)	Rated Current (A)	Rated Power (W)	Max Air Flow** (m3/h)	Static Pressure (Pa)	Noise (db(A))	RPM (rpm)	Approvals
D17C05HWBA00	Ball	24 V d.c.	1.0	24	450	190	60.0	3,500	CE; cURus
D17C07HWBA00	Ball	48 V d.c.	0.50	24	450	190	58.8	3,500	CE; cURus

All specifications, data and drawing are subject to change without notice and are approximate. Please refer to our terms of sales including our warranty and limited liabilities clause