

CM

Compression Load Cell



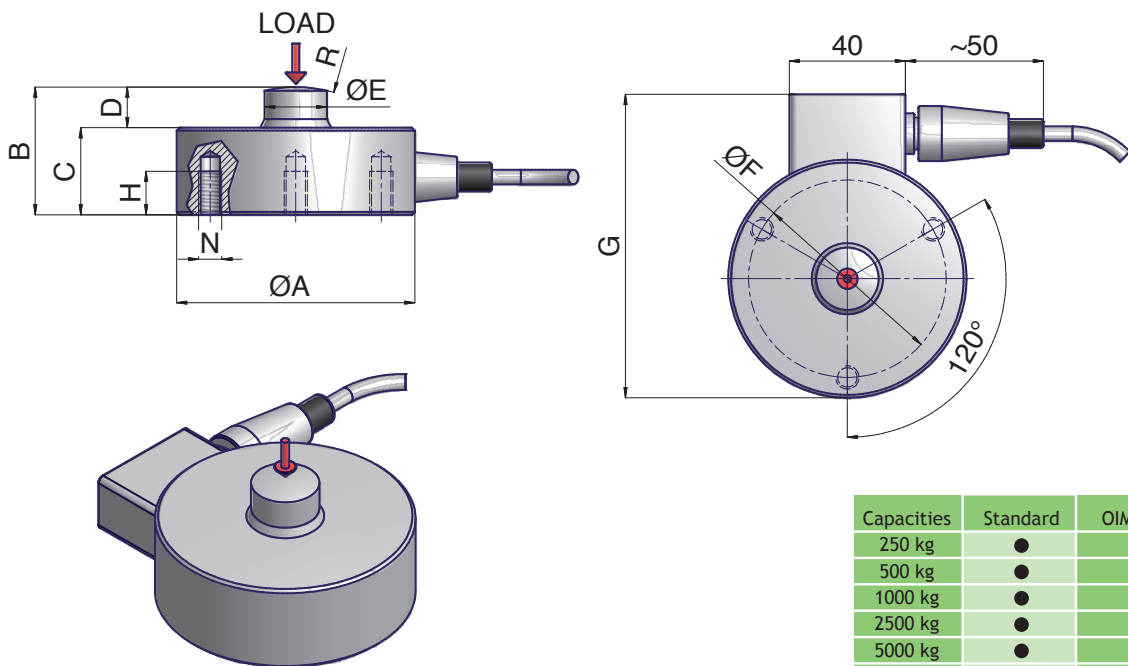
DISTINCTIVE FEATURES

- Capacities: 250 kg to 50000 kg
- Stainless steel construction
- Protection IP 68 (EN 60529)
- High accuracy
- On request Ex II 3D (zone 22) version

APPLICATION

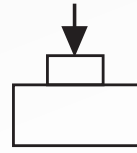
Compression load cells mod. CM are usually used in low and high capacity weighing systems.

DIMENSIONS (mm)



Capacities	Standard	OIML	ATEX
250 kg	●		●
500 kg	●		●
1000 kg	●		●
2500 kg	●		●
5000 kg	●		●
7500 kg	●		●
10000 kg	●		●
15000 kg	●		●
20000 kg	●		●
25000 kg	●		●
35000 kg	●		●
50000 kg	●		●

Portata / Load kg	A	B	C	D	E	F	G	H	N°3	R
250 - 500 - 1000 - 2500 - 5000	82	44	30	14	21,5	68	104,5	15	M8 x 1,25	50
7500 - 10000 - 15000 - 2000	100	48	35	13	25	80	122,5	15	M10 x 1,5	50
25000 - 30000	114	48	35	13	26	86	136,5	20	M12 x 1,75	50
50000	124	58	45	13	35	95	146,5	20	M12 x 1,75	160



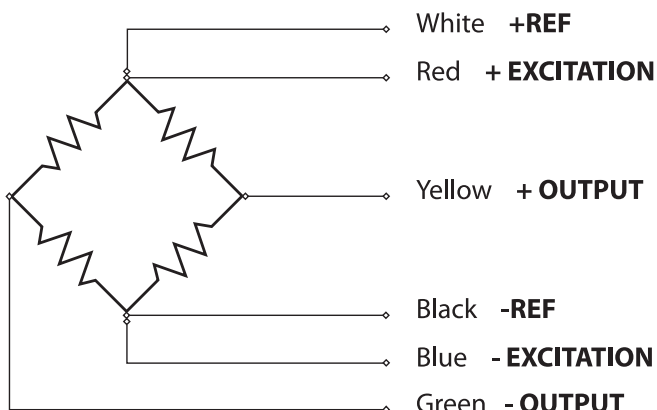
CM

Compression Load Cell

TECHNICAL DATA

Accuracy class	Standard	Accuracy class	Standard
Capacities fs (E _{max})	250 ÷ 50000 kg	Temperature effect on zero balance (5°C)	<± 0,02% fs
Rated output (C _n)	2 mV/V ± 0,1%	Temperature effect on rated output (5°C)	<± 0,01% fs
Nominal excitation range	5 ÷ 10V	Compensated temperature range	-10°C ÷ +40°C
Maximum excitation	15V	Operating temperature range	-20°C ÷ +70°C
Zero balance output	0,02 mV/V	Maximum safe load	150% fs
Input resistance	750 ± 25 Ω	Ultimate load	>300% fs
Output resistance	700 ± 2 Ω	Protection class (EN60529)	IP68
Insulation resistance	> 5 GΩ	Material	Stainless Steel
Combined error	<± 0,08% fs	Displacement at nominal load	0,30 ÷ 0,60 mm
Non repeatability	<± 0,015% fs	Weight	~ 1,1 - 4 kg
Creep 30 min.	<± 0,04% fs	Cable length	5m - 6 x 0,35 mm ² / 6 x 0,14 mm ²

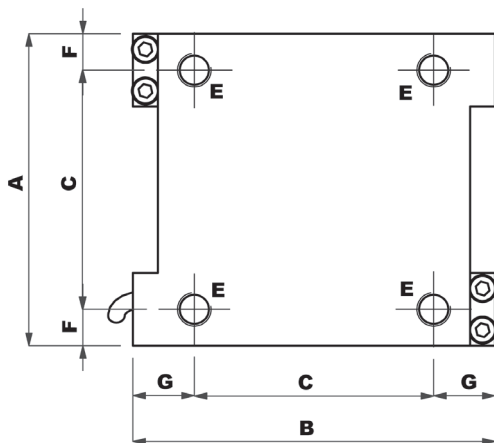
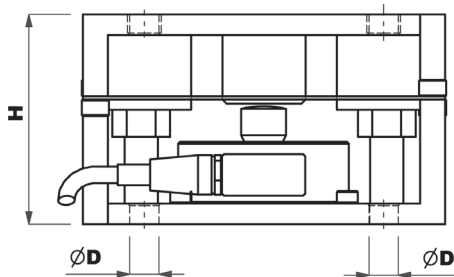
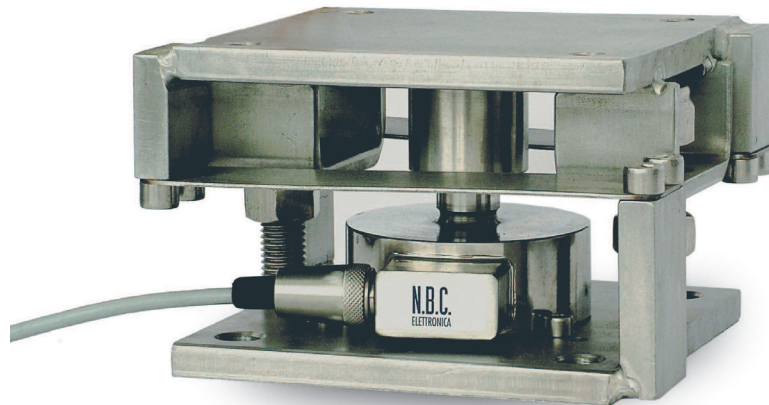
WIRE DIAGRAM



CM

Compression Load Cell

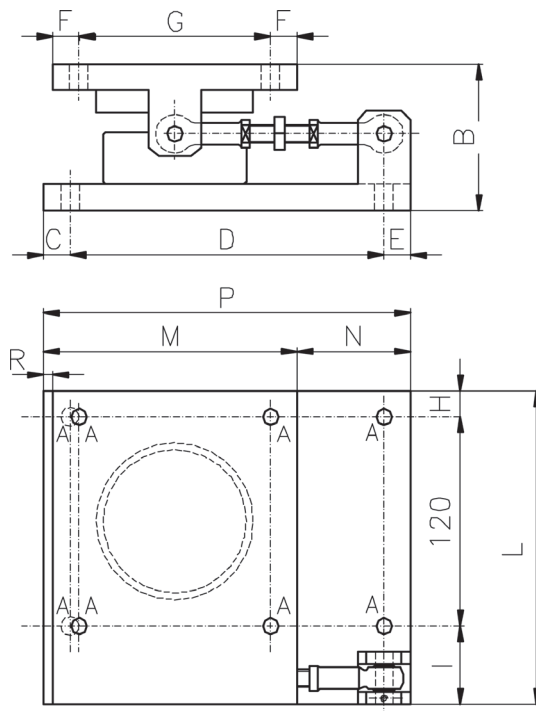
STAINLESS STEEL MOUNTING AIDS



Portata / Load	A	B	C	D	E	F	G	H
250 kg - 5 t	150	174	115	14	M12	17,5	29,5	97
7,5 t - 15 t	150	174	115	14	M12	17,5	29,5	101
20 t - 35 t	250	274	185	20	M18	32,5	44,5	120

On request stainless plate for force introduction on the loadcells mod. CM with capacities from 150 kg to 50 t.

PAINT MOUNTING AIDS



Portata / Load kg	A	B	C	D	E	F	G	H	I	L	M	N	P	R
150 ÷ 7500	10,5	84	15	180	15	15	110	15	45	180	145	65	210	5
10000	10,5	88	15	180	15	15	110	15	45	180	145	65	210	5
15000 ÷ 35000	12	88	25	280	15	40	120	45	85	250	200	120	320	-
50000	15	120	25	270	65	40	120	45	85	250	200	160	360	-