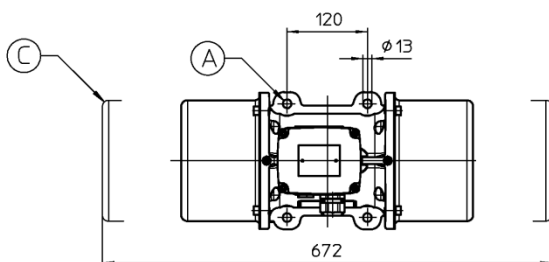
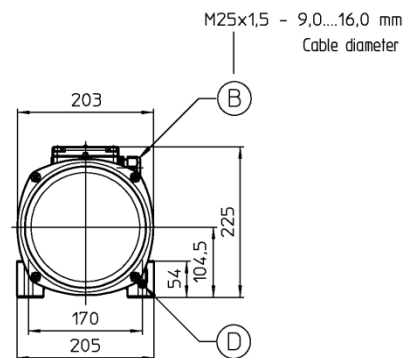
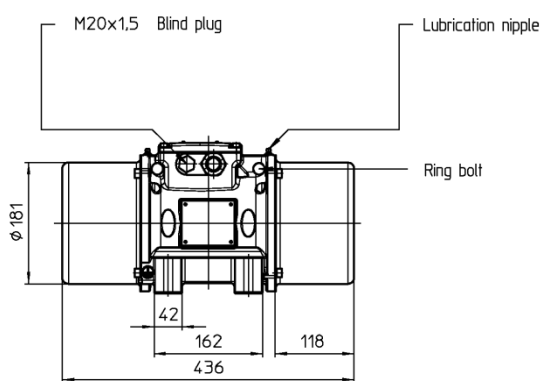


# Unbalance motor UVE 10X-A2.1



Weight : 35,0 kg (50 Hz) / 31,0 kg (60 Hz)

(M13-1310)

- (A) – Mounting screws required: 4 pieces (M12) – Screw tightening torque: 85 Nm (Bolt quality: 8.8)
- (B) – Observe the degree of protection (IP Code) according to the type label, cable diameter & cable gland must match!
- (C) – Observe the required space for mounting the protective hoods!
- (D) – Grounding screw

Electrical specifications										
Housing size	Mains frequency	Standard coils	Code number AVITEQ	Nominal current	Input power	Power factor	I <sub>a</sub> /I <sub>n</sub>	Number of poles	Motor speed, synchronous	
35	50Hz	220-240/380-415V (3-phase)	59301	1.65/0.95A	0.550kW	0.73	4.45	4	1,500min <sup>-1</sup>	
		254-305/440-525V (3-phase)	59302	1.31/0.76A						
		380-400/660-690V (3-phase)	64407	0.95/0.55A						
	60Hz	220-277/380-480V (3-phase)	59303	1.65/0.95A	0.680kW	0.75	4.89			1,800min <sup>-1</sup>
		330-346/575-600V (3-phase)	59304	1.31/0.76A						

Mechanical specifications							
Housing size	Mains frequency	Centrifugal force	Static moment	Working weight range (double drive)	Degree of protection (EN 60529)	Bearing	Sound pressure level
35	50Hz	10,300N	83kgcm	215...1,045kg	IP66	NJ306E-TVP2.C4.BL	<70dB(A)
	60Hz	9,630N	54kgcm	180... 845kg			

**Further information:**

Insulation class: F  
 Construction: can be operated at all positions  
 Rotation: C.W. and C.C.W.

Permissible number of starts per hour: 15  
 Allowed ambient temperature: -20...+55°C (Special version with heater for temperatures below -20°C possible on request)  
 Standard coloring (housing): RAL 5018, powder-coated (...other colorings possible on request)  
 Bearing service life-hours (L10 Basis): approx. 6,500h, bearing re-placement interval without re-lubrication under normal conditions  
 approx. 10,000h, bearing re-placement interval with re-lubrication under normal conditions  
 Re-lubrication: 5 re-lubrication intervals every 2,000h with 5g STABURAGS NBU 8EP (lubricant)  
 Service factor: 1.15  
 CSA-approval: Yes (...only for non-hazardous areas)  
 ATEX-approval: LCIE 07 ATEX 6020 X - II 2 D tD A21 IP66 T 135°C