



JOKWANG I.L.I CO.,LTD.

D R A W I N G
F O R
Q U O T A T I O N

PRESSURE SAFETY & RELIEF VALVE SPECIFICATIONS

Doc.No. : 160708-014

PROJECT NAME:

PROJECT NO. :
(HULL NO)

CLIENT :

SITE :

Head Office & Plant

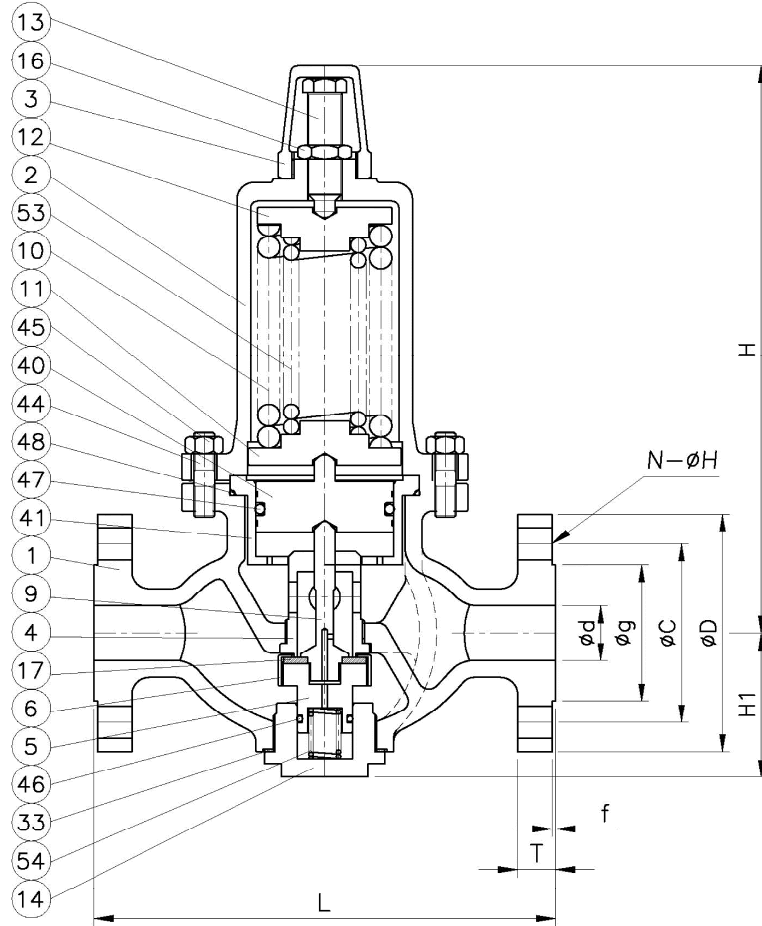
#37, Sanmakgongdanbuk 10-gil, Yangsan-si, Gyeongsangnam-do, Korea

Tel : (055) 360 - 0200 Fax : (055) 360 - 0260

<http://www.jokwang.co.kr>

0	2016. 07. 08.	Quotation	S.W JUNG	J.B.SO	S.C.KIM		
REV.	DATE	DESCRIPTION	PREP'D	CHK'D	APP'D	APP'D	DATE
						CLIENT	

TAG NO.



NO	PART NAME	MATERIAL	QTY	REMARK
54	MAIN SPRNG	SUS304	1	
53	ADJUST SPRING(IN)	SWOSC	1	
48	O-RING	NBR	1	
47	O-RING	NBR	1	
46	O-RING	NBR	1	
45	NUT	S45C	6	
44	STUD BOLT	A193 B7	6	
41	CYLINDER	A351 CF8	6	
40	PISTON	C3604	1	
33	PLUG GASKET	PTFE	1	
17	DISC	FPM	1	
16	LOCK NUT	A276 304	1	
14	PLUG	C83600	1	
13	ADJUST SCREW	C3604	1	
12	SPRING SEAT(UPP.)	A105	1	
11	SPRING SEAT(LOW.)	A105	1	
10	ADJUST SPRING(OUT)	SWOSC	1	
9	STEM	A276 304	1	
6	HOLDER	A276 304	1	
5	GUIDE	A276 304	1	
4	SEAT	A351 CF8	1	
3	CAP	A126 B	1	
2	BONNET	A216 WCB	1	
1	BODY	A216 WCB	1	

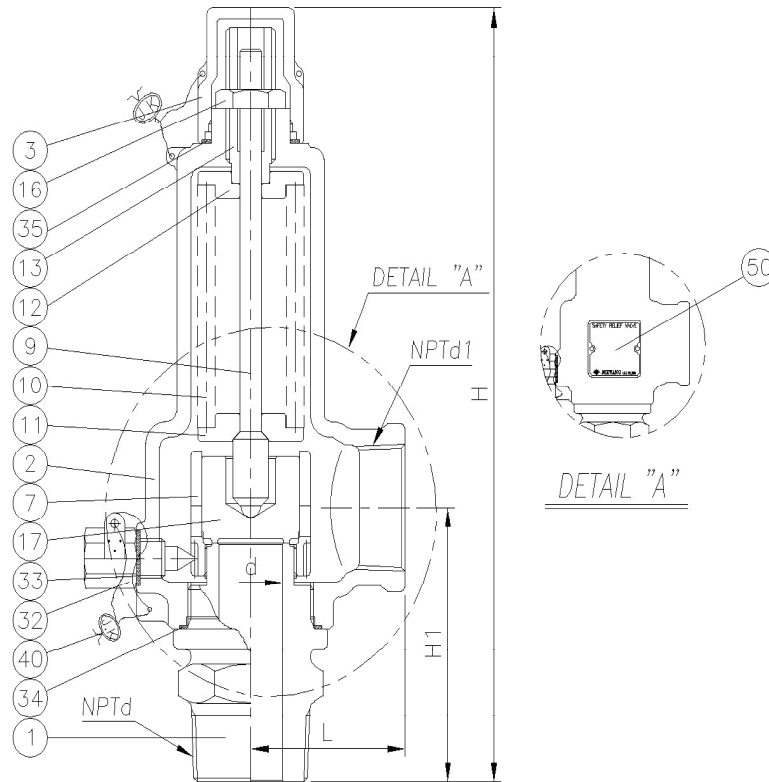
DWG NO.	JKS-SLQ024779 -10	Designed	Checked	Approved
MODEL	JRV-SF31			
DATE	2016-07-08	J.Y.LIM	Y.S.KIM	J.K.KIM
PRESSURE RELIEF VALVE				REV
JOKWANG I.L.I CO.,LTD.				0

DIMENSION

UNIT : mm

SIZE	d	L	H1	H	FLANGE ASME B 16.5 CL150 RF						Wt(kg)
					D	g	c	T	f	N-H	
1 1/2"	40	259	85	328	127	73	98.5	17.5	1.6	4-16	25.5

TAG NO.



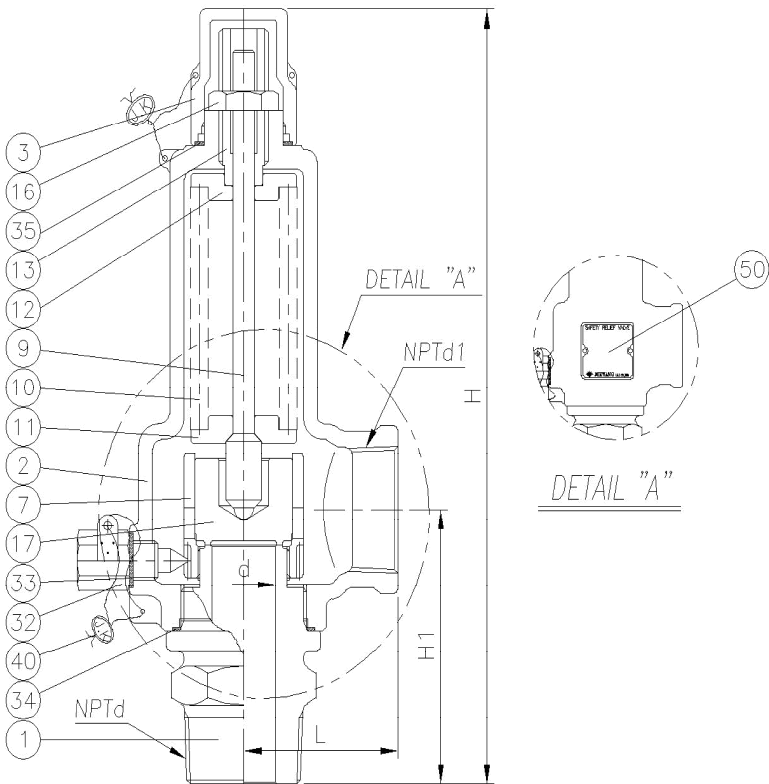
NO	PART NAME	MATERIAL	QTY	REMARK
50	NAME PLATE	A240 304	1	
40	SEAL	Pb	2	
35	CAP GASKET	PTFE	1	
34	BODY GASKET	PTFE	1	
33	SET SCREW GASKET	PTFE	1	
32	SET SCREW	A276 304	1	
17	DISC	A 276 304(STELLITED)	1	
16	LOCK NUT	C 3604	1	
13	ADJUST SCREW	C 3604	1	
12	SPR SEAT(UPP.)	A105	1	
11	SPR SEAT(LOW.)	A105	1	
10	SPRING	SWOSC	1	
9	STEM	A276 304	1	
7	ADJ RING	SCS 13	1	
3	CAP	C3771	1	
2	BONNET	B62 C83600	1	
1	BODY	A276 304(STELLITED)	1	

DWG NO.	JKS-SLQ024779 -20	Designed	Checked	Approved
MODEL	JSV-HT41			
DATE	2016-07-08	J.Y.LIM	Y.S.KIM	J.K.KIM
FULL BORE TYPE SAFETY RELIEF VALVE				REV
JOKWANG I.L.I CO.,LTD.				0


DIMENSION UNIT : mm

SIZE	d	L	H1	H	NPTd	NPTd1	Wt(kg)
1/2"x3/4"	14	42	62	178	1/2"	3/4"	1.4

TAG NO.



50	NAME PLATE	A240 304	1	
40	SEAL	Pb	2	
35	CAP GASKET	PTFE	1	
34	BODY GASKET	PTFE	1	
33	SET SCREW GASKET	PTFE	1	
32	SET SCREW	A276 304	1	
17	DISC	A 276 304(STELLITED)	1	
16	LOCK NUT	C 3604	1	
13	ADJUST SCREW	C 3604	1	
12	SPR SEAT(UPP.)	A105	1	
11	SPR SEAT(LOW.)	A105	1	
10	SPRING	SWOSC	1	
9	STEM	A276 304	1	
7	ADJ RING	SCS 13	1	
3	CAP	C3771	1	
2	BONNET	B62 C83600	1	
1	BODY	A276 304(STELLITED)	1	
NO	PART NAME	MATERIAL	QTY	REMARK

DWG NO.	JKS-SLQ024779 -30	Designed	Checked	Approved
MODEL	JSV-HT41	<i>J.Y.LIM</i>	<i>Y.S.KIM</i>	<i>J.K.KIM</i>
DATE	2016-07-08	J.Y.LIM	Y.S.KIM	J.K.KIM
FULL BORE TYPE SAFETY RELIEF VALVE				REV
 JOKWANG I.L.I CO.,LTD.				0

DIMENSION UNIT : mm

SIZE	d	L	H1	H	NPTd	NPTd1	Wt(kg)
1/2"x3/4"	14	42	62	178	1/2"	3/4"	1.4