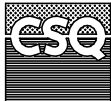


CERTIFICATION
OF THE QUALITY
SYSTEM OF THE
COMPANIES

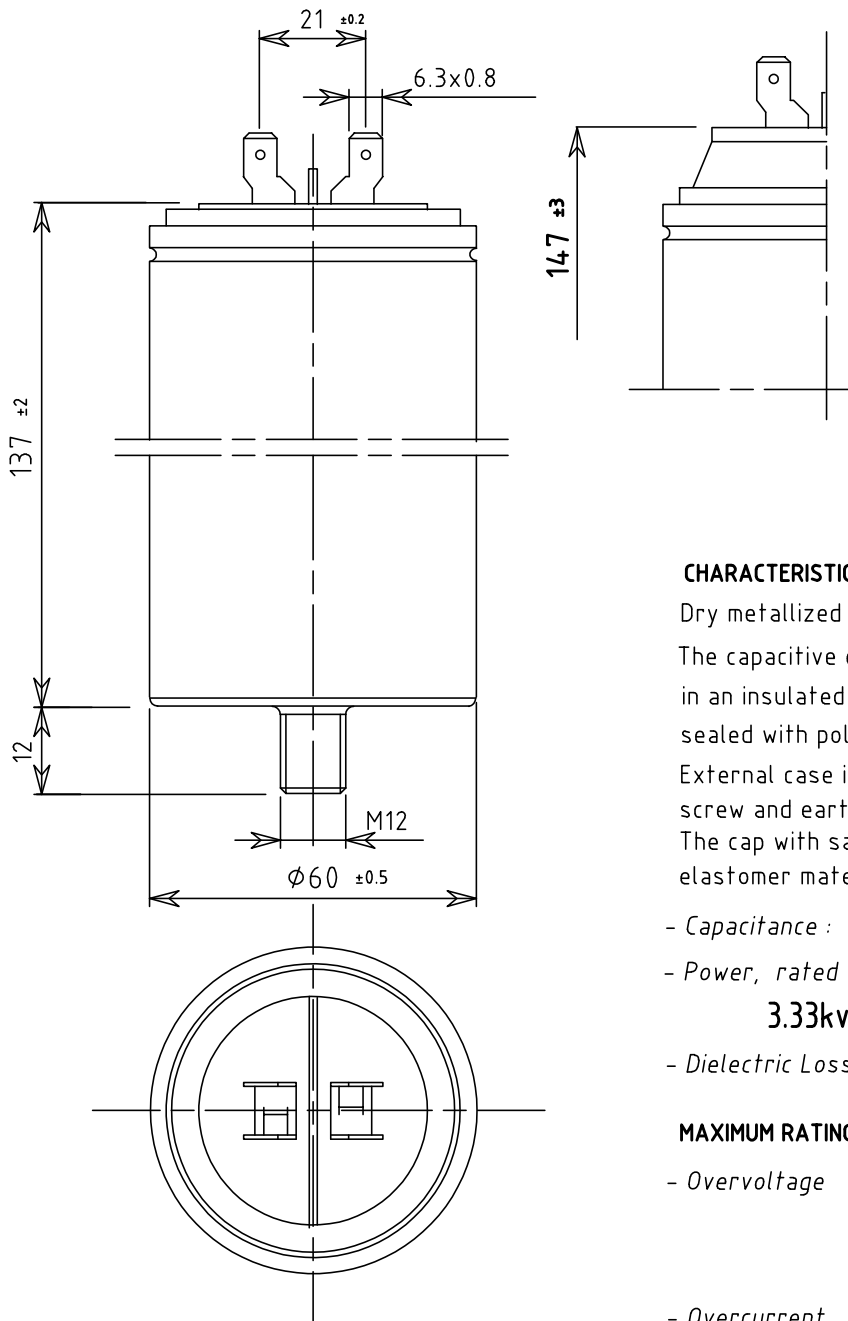


UNI EN 29001
ISO 9001

Member of



The reproduction and/or divulgation of this drawing or its included informations is strictly prohibited unless authorized by the owning company DUCATI S.p.A.
E' vietata la riproduzione e/o la divulgazione di questo disegno unitamente alle informazioni in esso contenute senza l'autorizzazione della DUCATI S.p.A.



Dimensions with activated overpressure device

MARKING:



DUCATI
energia

416.30.7764

35.1 µF -5+10%

Q_N 3.33 kvar

U_N 550V~50Hz

U_i 3/8kV -40/D

EN 60831-1: 2014

EN 60831-2: 2014

Overpressure disconnecter



CHARACTERISTICS:

Dry metallized polypropylene film capacitor.

The capacitive element is enclosed in an insulated can completely sealed with polyurethane resin.

External case in aluminum equipped with fixing screw and earth -connection.

The cap with safety device is made of a thermoplastic elastomer material.

- Capacitance : 35.1µF -5+10%

- Power, rated voltage and current:

3.33kvar 550V~50Hz 6.1A

- Dielectric Losses : 0.3W/Kvar

MAXIMUM RATINGS:

- Overvoltage : 1.1 U_n 8hours/day
: 1.15 U_n 30min/day
: 1.2 U_n 5min/200times
: 1.3 U_n 1min/200times

- Overcurrent : max 2I_n

- Inrush current : max 100 I_n

- dV/dt : max 25V/µs

TEST DATA:

- Test voltage between terminals : 2.15 U_n 2"
- Test voltage between terminals to case : 3 KV~10"

CLIMATIC CATEGORY:

- Working temperature : -40/D (max55°C)
- Altitude : max 2000a.s.l.
- Degree of protection : IP20 indoor mounting
- Expected life : 30000h
- Reference standards : EN 60831-1
EN 60831-2

A	General update	16/01/24	Ciccola
Ed.	Descrizione/Description		Data/Date Firma/Sign.

MODIFICHE/REVISIONS

DUCATI energia s.p.a.		TOLL. QUOTE LIBERE (TOLERANCE RATE) UNI-ISO 2768-m	TOLL. QUOTE LIBERE ANG. (ANG. TOLERANCE RATE)	SCALA/SCALE	DATA/DATE 13/06/2016	FIRMA/DRAWN Mollica	VISTO/CHECKED
	OGGETTO/PART NAME Dry metallized polypropylene capacitor for power factor correction 3.33kvar 550V						CODICE/PART NR. 416307764
						EDIZ./EDIT.	A