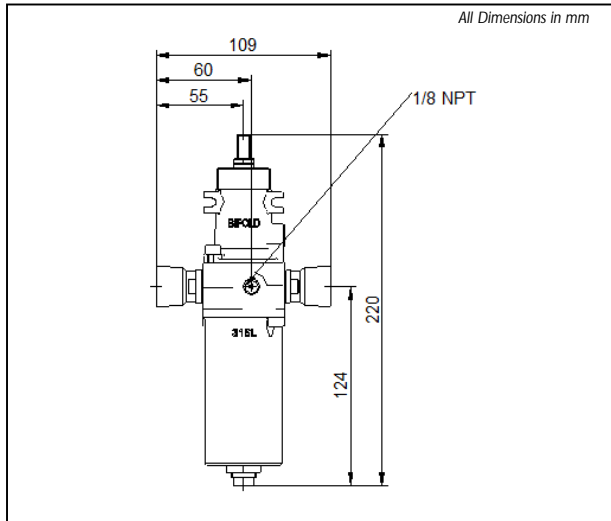


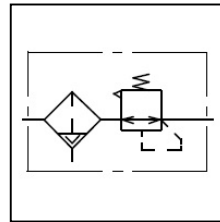
SH12



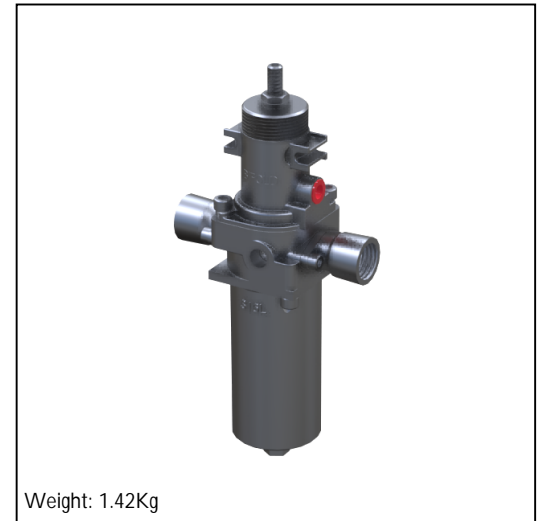
Dimensional Drawing



Schematic



Rendering



SH12-FR-SR-AD-10-X1

SH12	Air preparation unit, 1/2" connections, -20°C to +135°C, 316L SS	Model Code
FR	Filter regulator	Model Type
SR	Self relieving	Self/Non Relieving
AD	Auto drain, 16 bar maximum inlet pressure. NOTE: Max Temp Limit Reduced to +80°C	Drain option
10	0.4 - 10 bar output range	Output Press Range
X1	5 Micron filter element	Filter Element
	NPT connections	Connections
	1/8" Gauge port	Gauge port option
	Allen key adjustment	Adjustment option
	Regular drain screw	Drain screw option
	No Brackets	Brackets
SH12-FR-SR-AD-10-X1		Model Number

This is a bespoke datasheet. For further details on the complete range, please refer to catalogue: Models SH and SC Series Air Preparation Units



**Accuracy of information**  
 We take care to ensure that product information in this catalogue is reasonably accurate and up-to-date. However, our products are continually developed and updated so to ensure accurate and up-to-date information please refer to the product catalogue issue list on our web site or contact a member of our sales team.  
 When selecting a product, the applicable operating system design must be considered to ensure safe use. The products function, material compatibility, adequate ratings, correct installation, operation and maintenance are the responsibilities of the system designer and user.

**Quality Assurance**  
 All Bifold products are manufactured to a most stringent QA programme to ensure that every product will give optimum performance and reliability. We are third party certified to BS EN ISO 9001:2008. Functional test certificate, letter of conformity and copies of original mill certificates, providing total traceability are available on request, to BS EN 10204 3.1 where available. We reserve the right to make changes to the specifications and design etc., without prior notice.

