

Motor pumps - MD series

- Custom version -



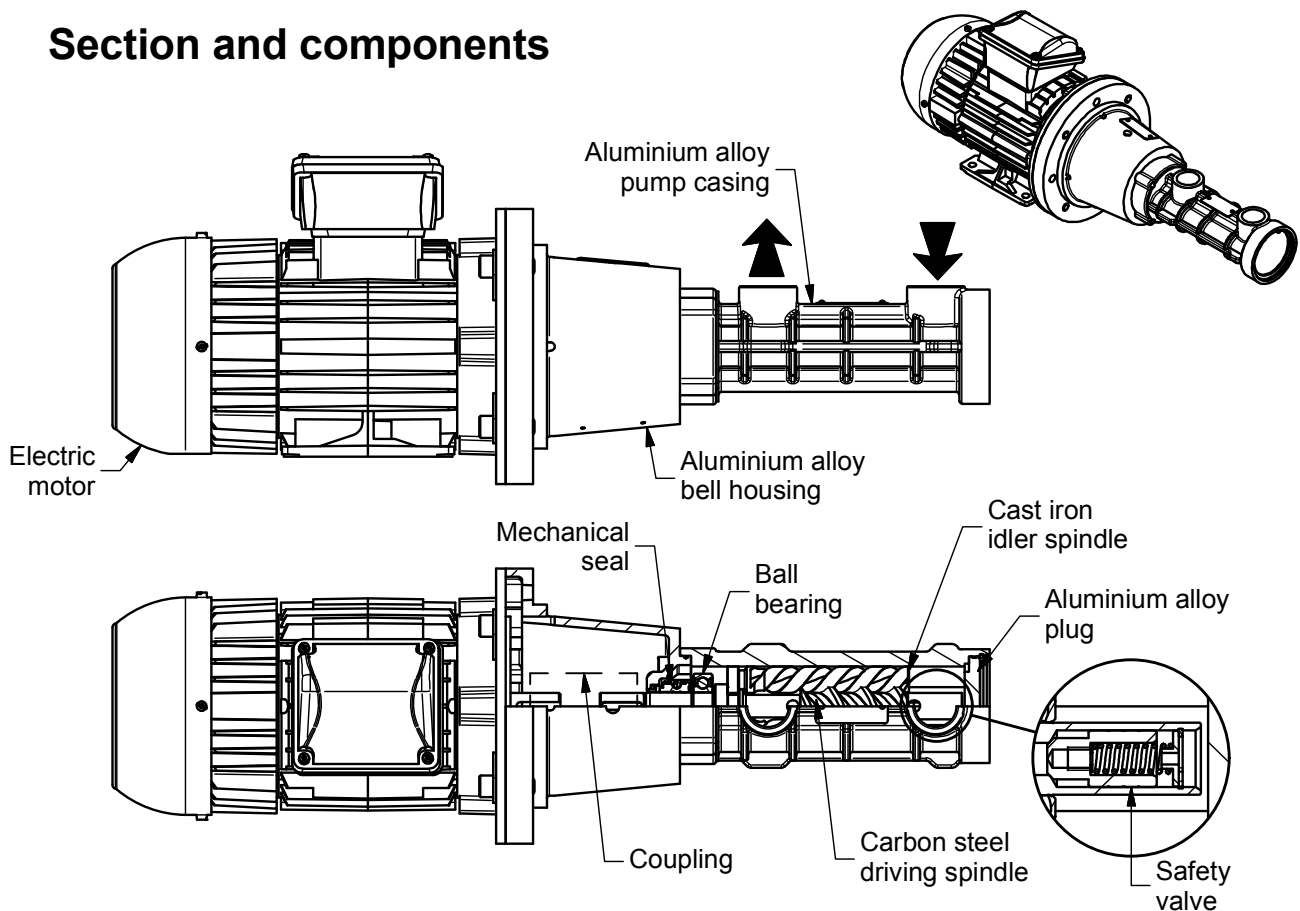
For hydraulic oils, lubricating oils

Admissible delivery pressure (standard valve setting) = 8 bar

Main field of application:

Low pressure lubrication system, auxiliary filtration system, cooling system

Section and components



Functional characteristics standard version

Admissible delivery pressure *	up to 8 bar (116 psi) valve setting
Admissible suction pressure *	-0.4 to 2 bar (-5.8 to 29 psi)
Kinematics viscosity	20 to 40 cSt
Admissible temperature	0 to 100 °C (80 to 212 °F)
Driving speed	2900 to 3600 rpm
Average noise level	65 dB(A) at 2900 rpm
Reccomended filtration	60 micron max, sutction side (not abrasive contaminant) ISO4406 19 / 16 - NAS 10
Direction of rotation	Clockwise, as seen from the driving side

* Reduced pressure limits apply due to fluid viscosity and driving speed

Consult the performance charts for the individual pump size

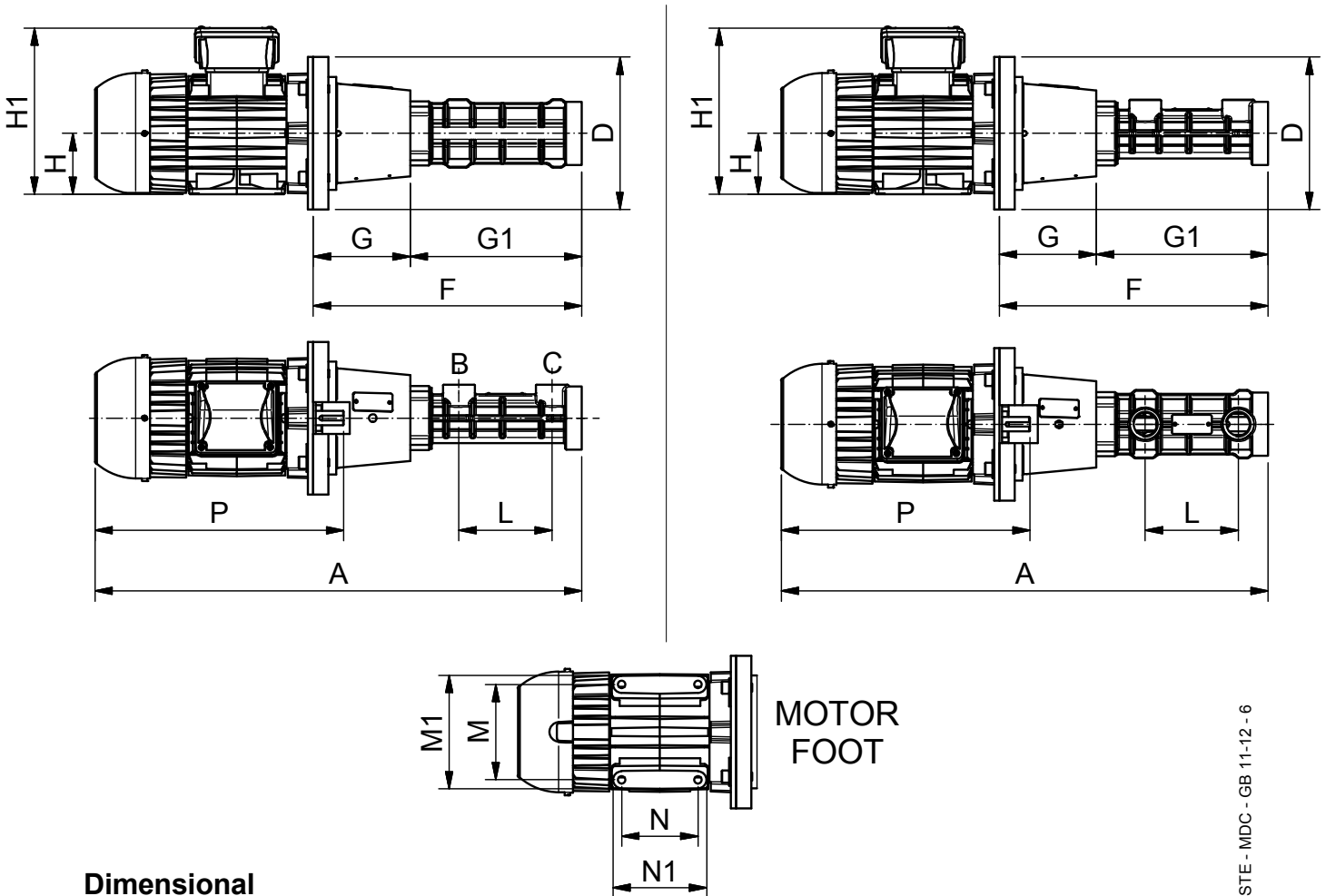
For different functional characteristics, please contact our sales department

Motor pumps MD series

- Custom version -



For hydraulic oils, lubricating oils
Admissible delivery pressure (standard valve setting) = 8 bar



SM - STE - MDC - GB 11-12 - 6

Dimensional chart (mm)

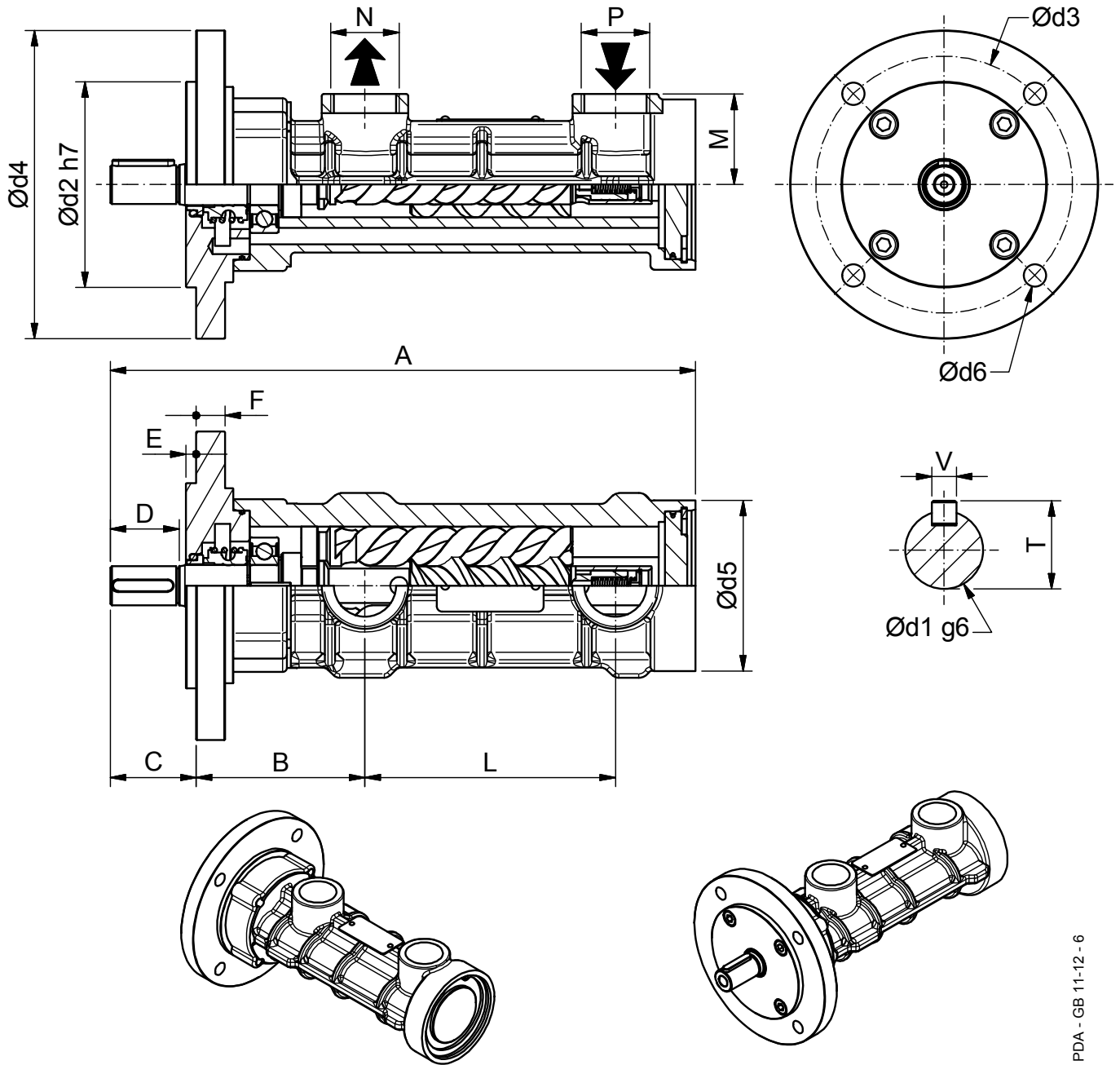
SEIM MODEL	GAS																
	A	B	C	D	F	G	G1	H	H1	H2	L	M	M1	N	N1	P	R
MD032#2AE2110	606	1"	1"	200	352	127	225	90	250	134	122	140	164	100	131	305	10
MD032#2AE2141														125	156	330	
MD032#2BP2110	631	1"	1"	250	384	140	244	100	270	148	140	160	188	140	173	376	10
MD032#2BP2110														140	173	376	
MD040#2BL2141	700	1 1/4"	1 1/4"	250	384	140	244	100	270	148	140	160	188	140	173	376	10
MD040#2CI2141														140	173	376	
MD040#2BL2128														140	173	376	

Seim Model code	Engel P/N	Motor type (2 poles, form B3-B5)	Note
MD032#2AQ2110	02004-0892	90S, 1.5 kW, 50/60 Hz IE2	A
MD032#2AQ2141	02004-0980	90S, 1.5 kW, 50/60 Hz IE2	B
MD032#2BR2110	02004-0896	90L, 2.2 kW, 50/60 Hz IE2	A
MD032#2BR2141	02004-0981	90L, 2.2 kW, 50/60 Hz IE2	B
MD040#2CS2141	02004-0963	100L, 3 kW, 50 Hz, IE2	B
MD040#2BS2141	02004-0966	100L, 3.5 kW, 60 Hz, IE2	B
MD040#2BU2128	02004-0967	100L, 3.7 kW, 60 Hz, IE3	B

A. Pump IN/OUT ports on right side and motor j-box on top
B. Pump IN/OUT ports and motor j-box on top

Screw pumps - PDA series with valve

For hydraulic oils, lubricating oils
 Admissible delivery pressure (standard valve setting) = 6 bar



Dimensional chart (mm)

SIZE	GAS											d1	d2	d3	d4	d5	d6	
	A	B	C	D	E	F	L	M	N	P	T							V
PDA040#2..01.	300	82	42	35	5	14	140	39	1¼"	1¼"	21.5	6	19	125	160	180	95	14

PDA SERIES - IDENTIFICATION CODES



digit	meaning	code available and explanation
1	PDA	series identification
2	032	pump main screw diameter 029 032 040
	#	
3	2	number of leads 2
4	A	screw lead length A B (C where applicable)
5	0	motor connection flange 0 = ISO motor connection flange dia.100mm; L = integrated bell-housing for IEC motor size 90 N = ISO motor connection flange dia.125mm (apply to PDA040 only)
6	1	built-in relief valve 1 = yes; 0 = not present
7	D09	mech. seal D09 = default version
8	D01	body execution D01 = casted in mould aluminium
9	00	options 00 = none; other different digits apply

SEIM srl
 Via A. Volta 17
 20090 Cusago (MI) ITALY
 Tel. (+39) 02.90.39.21.1
 Fax. (+39) 02.90.39.21.41
 e-mail: seim@seim.it

www.seim.it

SEIM reserves the right to introduce dimensional changes or variation to the products of this technical data