

STAINLESS STEEL CYLINDERS

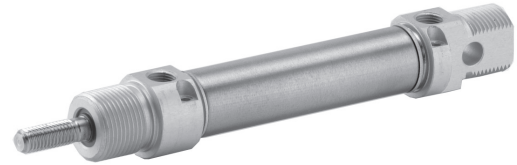


Power and precision in the air

1

DESCRIPTION

Calked stainless steel cylinders series "AU" comply with ISO 6432 standard. They are available from Ø 16 to Ø 25, in the basic cylinder version, through rod, magnetic and non-magnetic, and in the adjustable cushions version produced from Ø 20 to Ø 25. They can comply with ATEX directive, 2GD category, upon request.



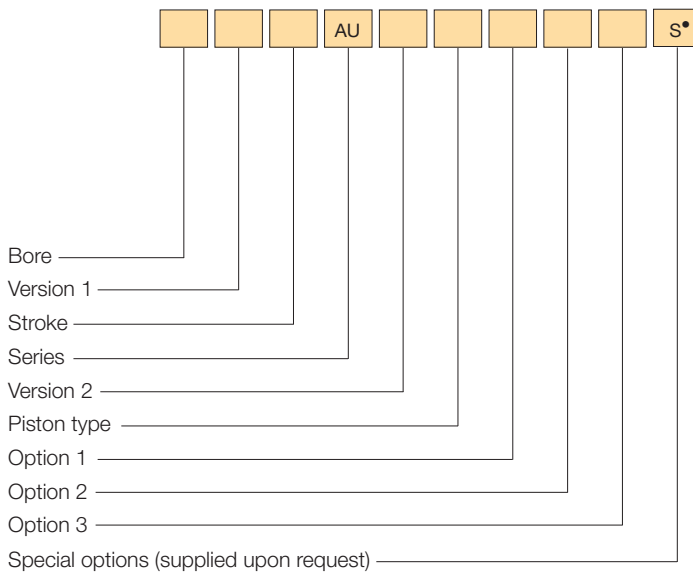
TECHNICAL DATA

Operating pressure	1 ÷ 10 bar
Working temperature	0 °C ÷ +80 °C (with dry air -35 °C) 0 °C ÷ +150 °C with seals for high temperatures (with dry air -10 °C)
Fluid	Compressed air, filtered, continuous lubricated, unlubricated or dry lubricated
Versions	Double acting, through rod
Bore	Ø 12, 16, 20, 25
Port size	Ø 12 - 16 = M5 Ø 20 - 25 = G1/8
Standard strokes (mm)	25, 50, 80, 100, 125, 160, 200, 250, 300, 320, 400, 500
Decelerators lenght	Ø 20 25 mm 18 20
Maximum strokes (mm)	Ø 12 - 16 = 200; Ø 20 = 320; Ø 25 = 500

MATERIALS

End caps	AISI 304 stainless steel
Cylinder barrel	Extruded tube, AISI 304 stainless steel
Barrel-end cover fixing type	Irreversible calking with dual-seal system, mechanical and pneumatic
Piston rod	AISI 316 stainless steel
Rod and end cap nuts	AISI 304 stainless steel
Decelerators ogives	Aluminium alloy
Piston rod bearing	Self lubricating sintered bronze
Piston	Brass (supplied with and without magnet)
Piston seals	Polyurethane - FKM (Viton®)

ORDER KEY



• See chapter 1, page 1.1.

ORDER EXAMPLES

Basic cylinder Ø16, 50 mm stroke, double acting, non-magnetic piston type: ATEX: **16/50 AUDC/EX**

Basic cylinder Ø20, 50 mm stroke, double acting, magnetic piston type, cushioned: **20/50 AUDCX**

Cylinder Ø25, through rod, 100 mm stroke, double acting, magnetic piston type, cushioned: **25R100 AUDEX**

VERSION 1

/ Basic cylinder **R** Through rod

VERSION 2

D Double acting

PISTON TYPE

C Non-magnetic **E** Magnetic*

OPTION 1

X Cushioned**

OPTION 2

2 Seals for high temperatures

OPTION 3

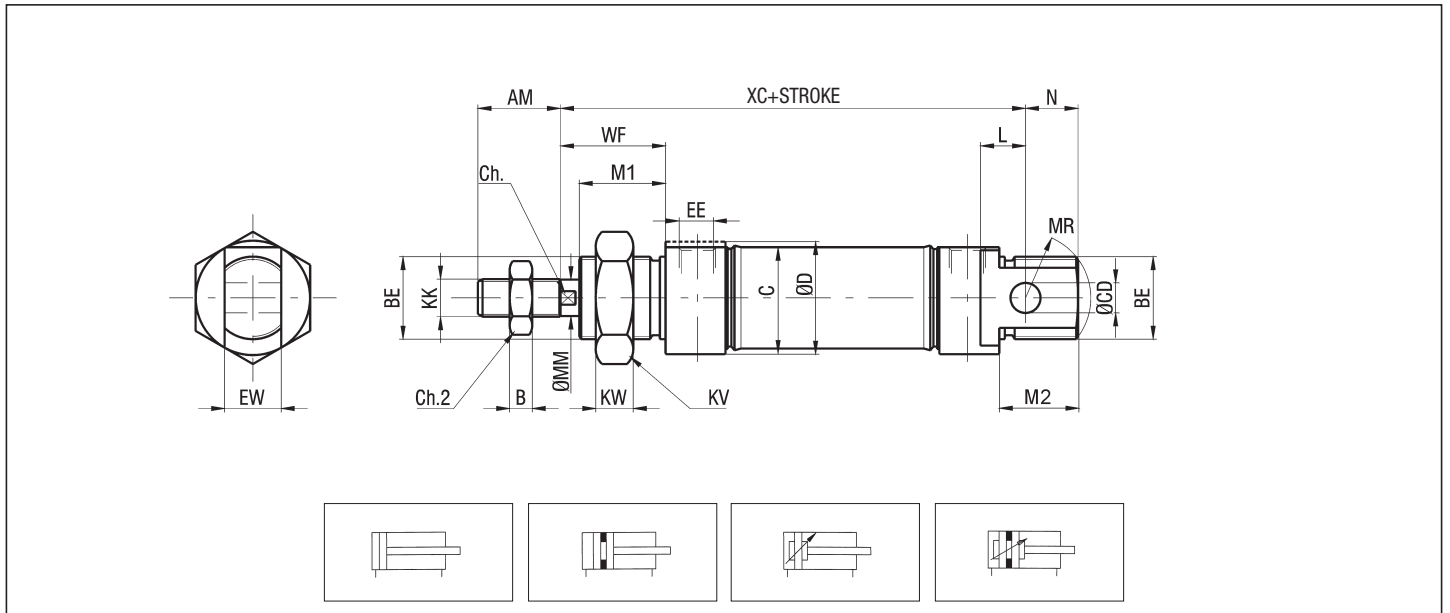
/EX Consistent with the ATEX directive  II 2GD c T5 T100°C -20°C < Ta < 80°C***

* Available even with "FKM" (Viton®) seals but just for applications where is needed a chemical compatibility; not available for high temperatures.

** Supplied only for Ø 20 to Ø 25

*** Not supplied for Ø 12

AU BASIC CYLINDER



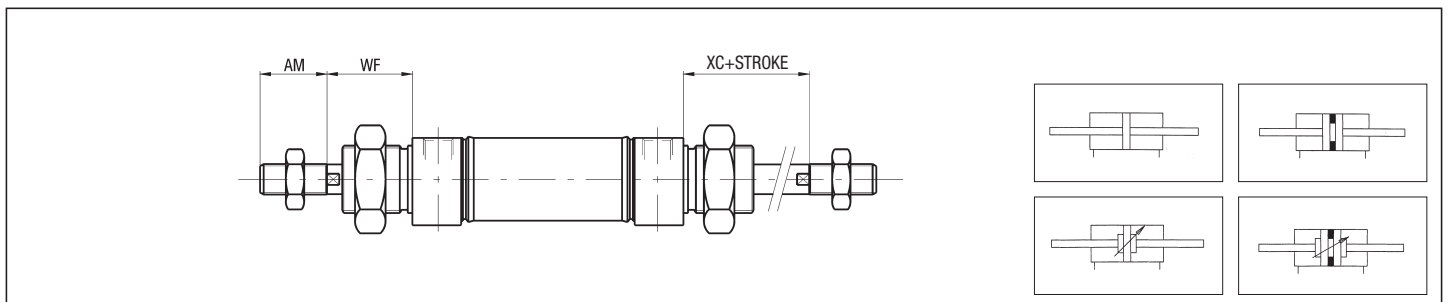
P.S.: End cap nut and nut rod supplied as standard

DIMENSIONS AND WEIGHT BASIC CYLINDER

Ø	AM*	B	BE	C	CD* H9	Ch*	Ch2	D*	EE*	EW* d13	KK	KV	KW*	L*	M1	M2	MM	MR*	N	WF*	XC*	WEIGHT (g)	INCR (g) x 10 mm
12	16	4	M16X1,5	18	6	5	10	19	M5	12	M6	24	8	9	18	18	6	13,3	13	22	75	118	3,7
16	16	4	M16X1,5	18	6	5	10	19	M5	12	M6	24	8	9	18	18	6	13,3	11	22	82	139	4,2
20	20	5	M22X1,5	25,5	8	7	13	27	G1/8	16	M8	32	11	12	20	20	8	18,8	16	24	95	306	9,1
25	22	6	M22X1,5	28,5	8	9	17	30	G1/8	16	M10X1,25	32	11	12	22	22	10	17,1	14	28	104	406	12,5

* STANDARDIZED DIMENSIONS

THROUGH ROD

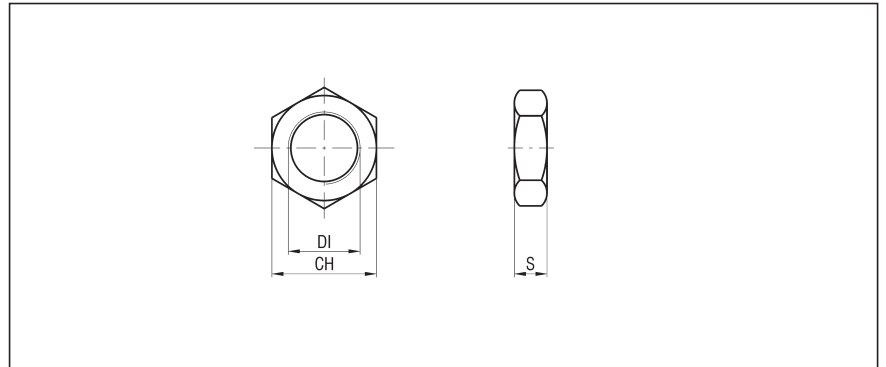


P.S.: End cap nut and nut rod supplied as standard

1

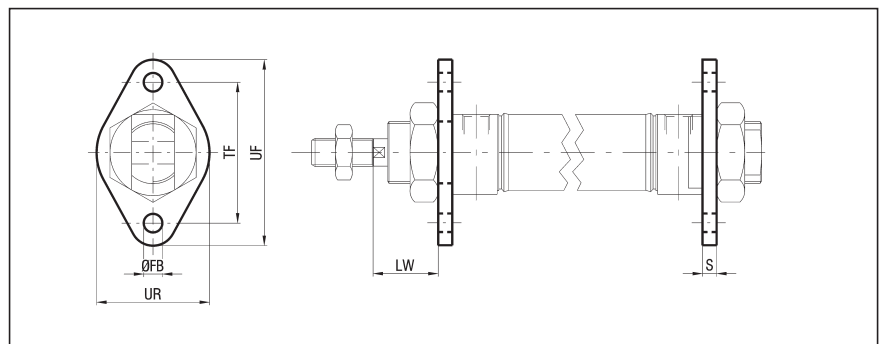
END CAP NUT - STAINLESS STEEL - AUDT Ø

Ø	DI	CH	S	WEIGHT (g)
12-16	M16x1,25	24	8	16
20-25	M22x1,5	32	11	25



FLANGE- STAINLESS STEEL - AUF Ø

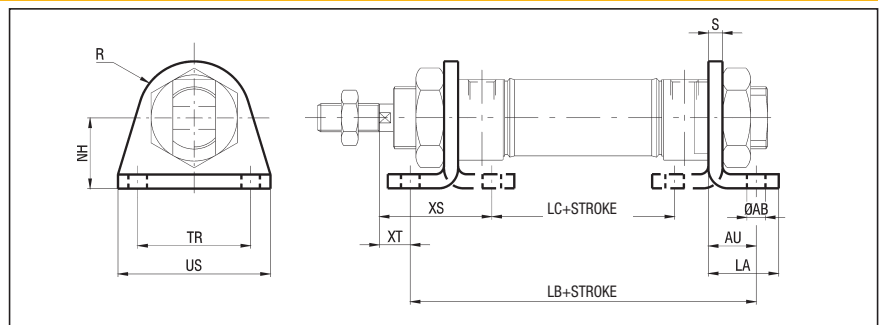
Ø	FB H13	LW	S	TF JS13	UF	UR	WEIGHT (g)
12-16	5,5	18	4	40	52	30	26
20-25	6,6	19-23	5	50	66	40	50



FOOT - STAINLESS STEEL - AUP Ø

Ø	AB H13	AU	LA	LB	LC	NH	R
12-16	5,5	14	20	74-81	28-35	20	12,5
20-25	6,6	17	25	91-95	45,5	25	20

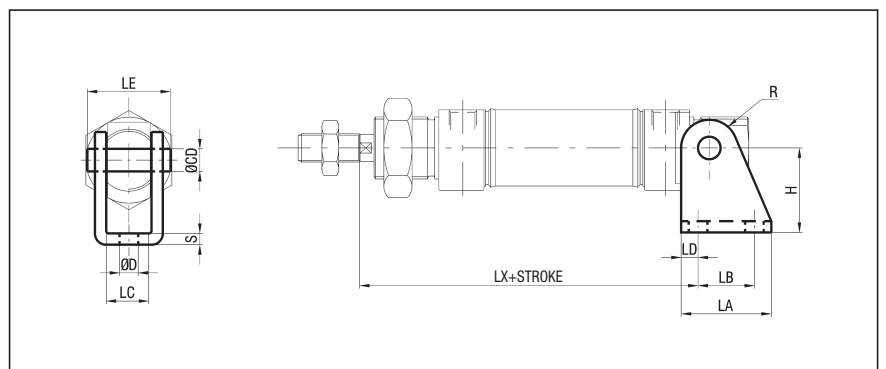
Ø	S	TR JS13	US	XS	XT	WEIGHT (g)
12-16	4	32	42	32	8	40
20-25	5	40	54	36-40	7-11	90



REAR HINGE NOT TO ISO 6432 STANDARD - STAINLESS STEEL - AUSC Ø

Ø	CD f8	D H13	H	LA	LB JS13	LC E9	LD
12-16	6	5,5	27	25	15	12,1	5
20-25	8	6,6	30	32	20	16,1	6

Ø	LE	LX	R	S	WEIGHT (g)
12-16	24	73-80	7	3	36
20-25	26	91-100	10	4	78



1

DESCRIPTION

Stainless steel cylinders serie "AP" with round profile, and correspondent fixings accessories, are available from Ø 32 to Ø 63, in the basic cylinder version, through rod, magnetic and non-magnetic. They can comply with ATEX directive, 2GD category, upon request.



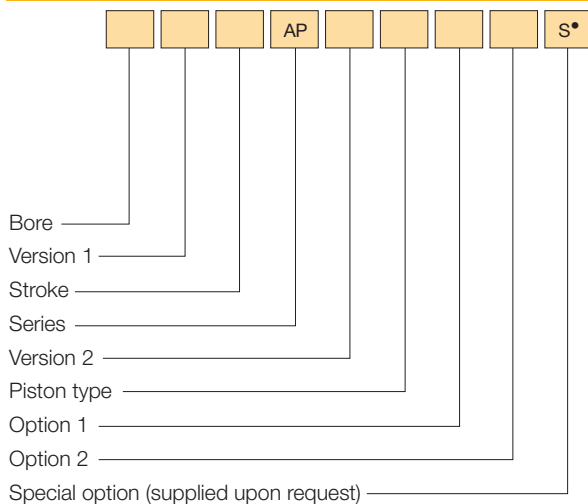
TECHNICAL DATA

Operating pressure	1 ± 10 bar
Working temperature	0 ÷ +80 °C (-20 °C with dry air) 0 ÷ +150 °C with seals for high temperature (-10 °C with dry air)
Fluid	Compressed air, filtered, continuous lubricated, unlubricated or dry lubricated
Versions	Double acting, through rod
Bore	Ø 32, 40, 50, 63
Port size	Ø 32 = G 1/8 Ø 40 - 50 = G 1/4 Ø 63 = G 3/8
Standard strokes (mm)	10, 25, 50, 80, 100, 125, 160, 200, 250, 320, 400, 500
Maximum strokes (mm)	Ø 32 ÷ 63 = 1000

MATERIALS

End caps	AISI 304 stainless steel
Cylinder barrel	Extruded tube, AISI 304 stainless steel
Barrel-end cover fixing type	Irreversible calking with dual-seal system, mechanical and pneumatic
Piston rod	AISI 316 stainless steel
Rod nut end ring nut	AISI 304 stainless steel
Piston rod bearing	Self lubricating sintered bronze
Piston	Aluminium alloy (supplied with or without magnet)
Seals	Polyurethane - FKM (Viton®)

ORDER KEY



• See chapter 1, page 1.1.

VERSION 1

/ Basic cylinder R Through rod

VERSION 2

D Double acting

PISTON TYPE

C Non-magnetic E Magnetic*

OPTION 1

2 Seals for high temperature

OPTION 2

/EX Consistent with the ATEX directive  II 2GD c T5 T100°C -20°C <Ta<80°C

* Available even with "FKM" (Viton®) seals but just for applications where is needed a chemical compatibility; not available for high temperatures.

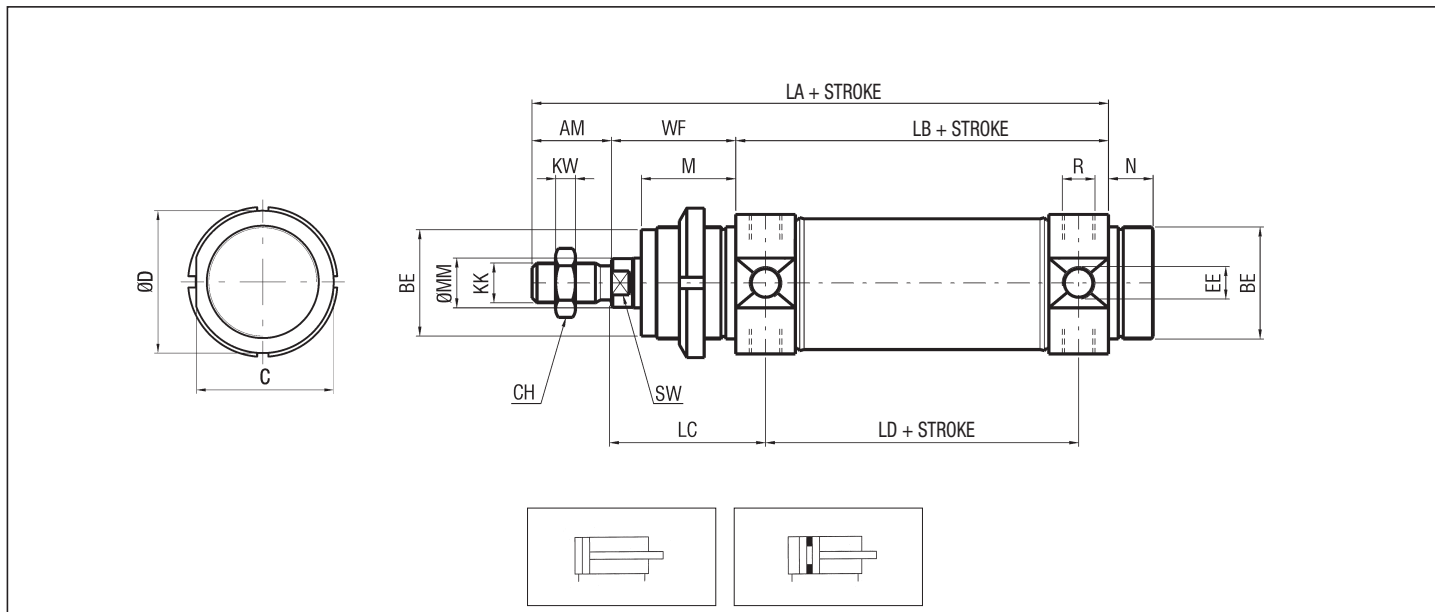
ORDER EXAMPLES

Basic cylinder Ø 32, 50 mm stroke, double acting, non-magnetic piston type: **32/50 APDC**

Basic cylinder Ø 40, 50 mm stroke, double acting, non-magnetic piston type, ATEX: **40/50 APDE/EX**

Cylinder Ø 50, through rod, 100 mm stroke, double acting, magnetic piston type: **50R100 APDE**

AP BASIC CYLINDER

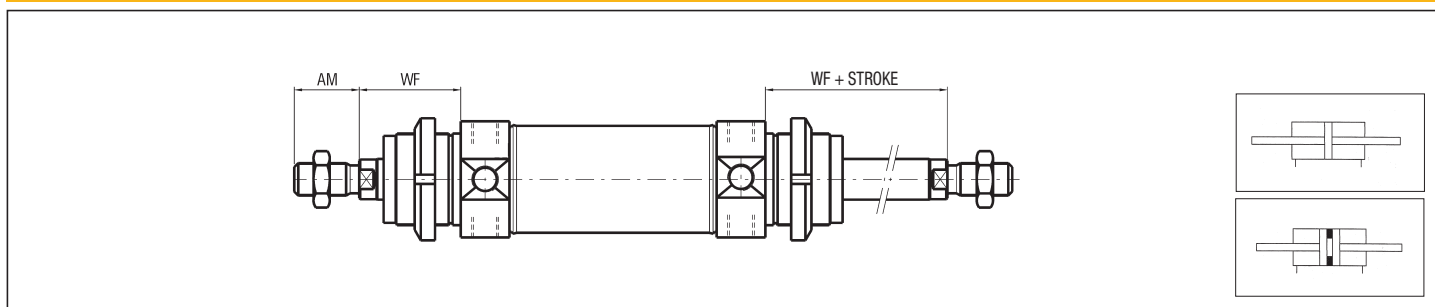


P.S.: End cap ring nuts and rod nuts supplied as standard

DIMENSIONS AND WEIGHT BASIC CYLINDER

\emptyset	AM	BE	C	CH	D	EE	KK	KW	LA	LB	LC	LD	M	MM	N	R	SW	WF	XC	XD	WEIGHT (g)	INCR. (g) x 10 mm
32	20	M30x1,5	36,5	17	38	G1/8	M10x1,25	6	154	96	47	78	30	12	14	M8x1	10	38	134	140	789	16
40	24	M38x1,5	44	19	46	G1/4	M12x1,25	7	182	113	57	89	35	16	16	M10x1	12	45	158	163	1410	26
50	32	M45x1,5	55	24	57	G1/4	M16x1,5	8	202	120	62	96	38	20	18	M12x1,5	16	50	170	176	2383	34
63	32	M45x1,5	67,5	24	70	G3/8	M16x1,5	8	206	124	63	98	38	20	18	M14x1,5	16	50	174	180	3231	50

THROUGH ROD

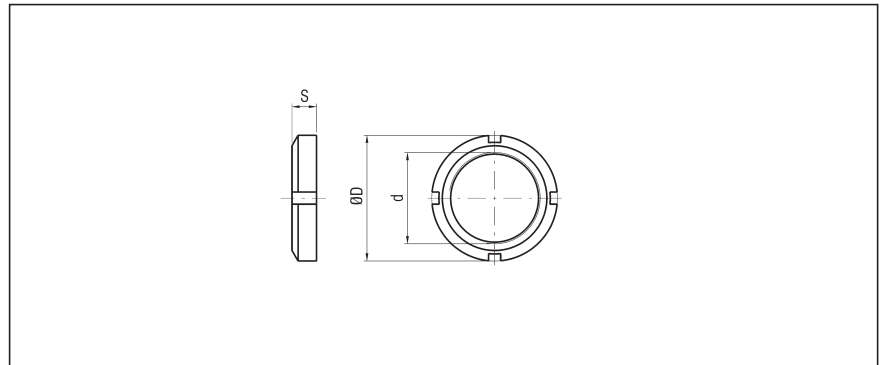


P.S.: End cap ring nuts and rod nuts supplied as standard

1

RING NUT - STAINLESS STEEL - APG Ø

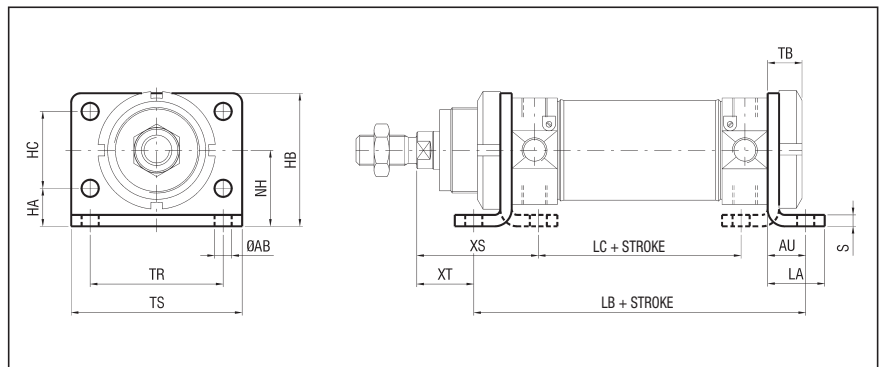
Ø	d	D	S	WEIGHT (g)
32	M30x1,5	42	8	43
40	M38x1,5	50	10	80
50-63	M45x1,5	65	10	122



FLANGE/FOOT - STAINLESS STEEL - APFP Ø

Ø	AB	AU	HA	HB	HC	LA	LB	LC
32	7	14	14	49	28	21	124	76
40	9	20	18	58	30	30	153	83
50	9	20	20	70	40	30	160	92
63	9	20	20	80	50	30	164	92

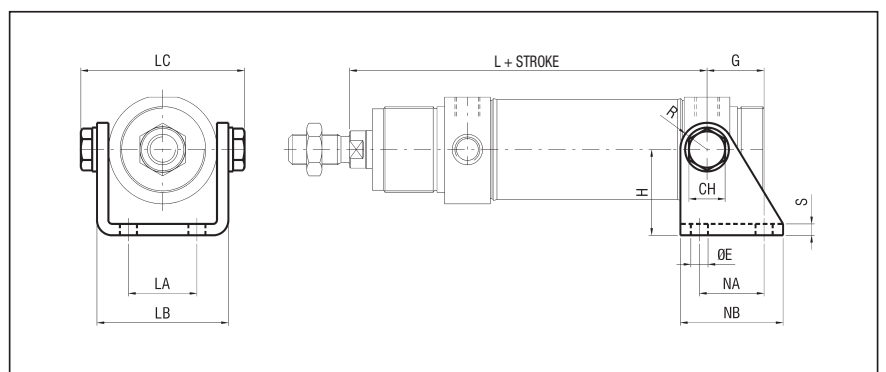
Ø	NH	S	TB	TR	TS	XS	XT	WEIGHT (g)
32	28	4	11	52	66	48	24	98
40	33	5	13	60	80	60	25	183
50	40	6	14	70	90	64	30	276
63	45	6	14	76	96	64	30	395



REAR HINGE - STAINLESS STEEL - APSC Ø

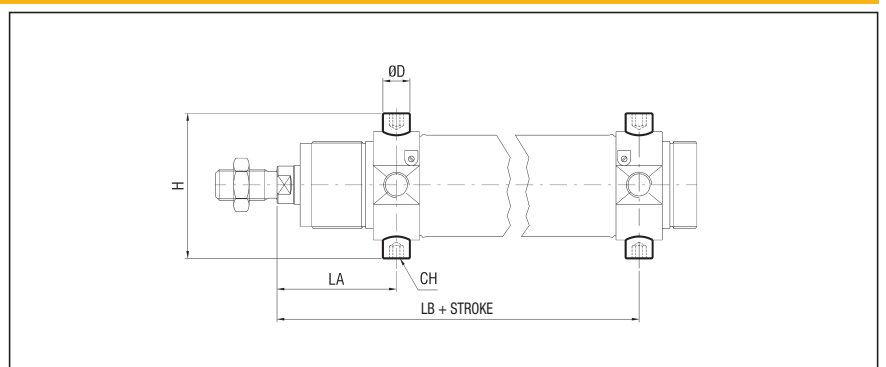
Ø	CH	E	G	H	L	LA	LB
32	13	7	20	35	125	20	46,1
40	17	9	27	40	146	28	56,1
50	19	9	30	45	158	36	69,1
63	19	9	34	50	161	42	82,1

Ø	LC	NA	NB	R	S	WEIGHT (g)
32	58	24	40	12	4	150
40	70	30	50	13	5	259
50	86	34	54	14	6	403
63	100	35	65	16	6	520



PIVOT (pair) - STAINLESS STEEL - APT Ø

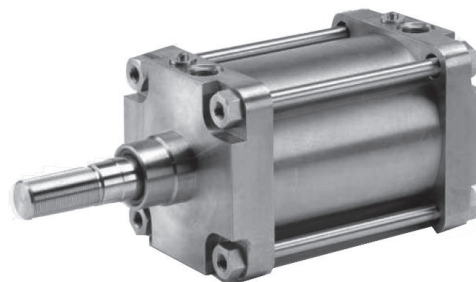
Ø	D	H	LA	LB	CH	WEIGHT (g)
32	10	51	47	125	5	10
40	12	61	57	146	6	20
50	14	75	62	158	6	40
63	16	92	63	161	8	65



1

DESCRIPTION

Stainless steel cylinders series "AX", and correspondent fixing accessories, comply with ISO 15552 standard, are available from Ø 32 to Ø 200. They are cushioned and magnetic as "special" applications (for example food, chemical and pharmaceutical industries). They can comply with ATEX directive, 2GD category, upon request.



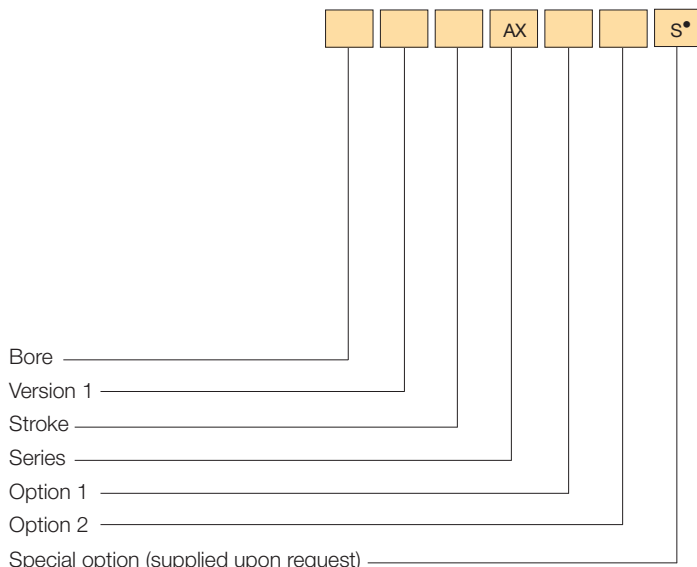
TECHNICAL DATA

Operating pressure	1 ÷ 10 bar
Working temperature	0 ÷ +80 °C (with dry air -20 °C) 0 ÷ +15 °C with seals for high temperature (with dry air -10 °C)
Fluid	Filtered, unlubricated, continuous lubricated or dry compressed air
Versions	Double acting, through rod
Bore	Ø 32, 40, 50, 63, 80, 100, 125, 160, 200
Port size	Ø 32 = G1/8 Ø 40 - 50 = G1/4 Ø 63 - 80 = G3/8 Ø 100 - 125 = G1/2 Ø 160 - 200 = G3/4
Standard strokes (mm)	25, 50, 80, 100, 125, 160, 200, 250, 300, 320, 400, 500 600, 700, 800, 900, 1000
Decelerators lenght	Ø 32 40 50 63 80 100 125 160 200 mm 27 29 32 32 32 32 42 54 54
Maximum strokes (mm)	1000

MATERIALS

End caps	AISI 304 stainless steel
Cylinder barrel	Extruded tube, AISI 304 stainless steel
Tie rods, tie and rod nut	Ø 32 ÷ 100 AISI 316 stainless steel Ø 125 ÷ 200 AISI 304 stainless steel
Piston rod	AISI 316 stainless steel
Decelerator ogives	Ø 32 ÷ 100 Delrin Ø 125 ÷ 200 Lega di alluminio
Piston rod bearing	Self lubricating sintered bronze
Piston	NBR rubber block (supplied with magnet)
Seals	Poliuretthane - FKM (Viton®)

ORDER KEY



• See Chapter 1, page 1.1.

VERSION 1

/ Double acting R Through rod

OPTION 1

2 Seals for high temperature*

OPTION 2

/EX Consistent with the ATEX directive II 2GD c T5 T100°C -20°C < Ta < 80°C

* Available even with "FKM" (Viton®) seals but just for applications where is needed a chemical compatibility; not available for high temperatures.

ORDER EXAMPLES

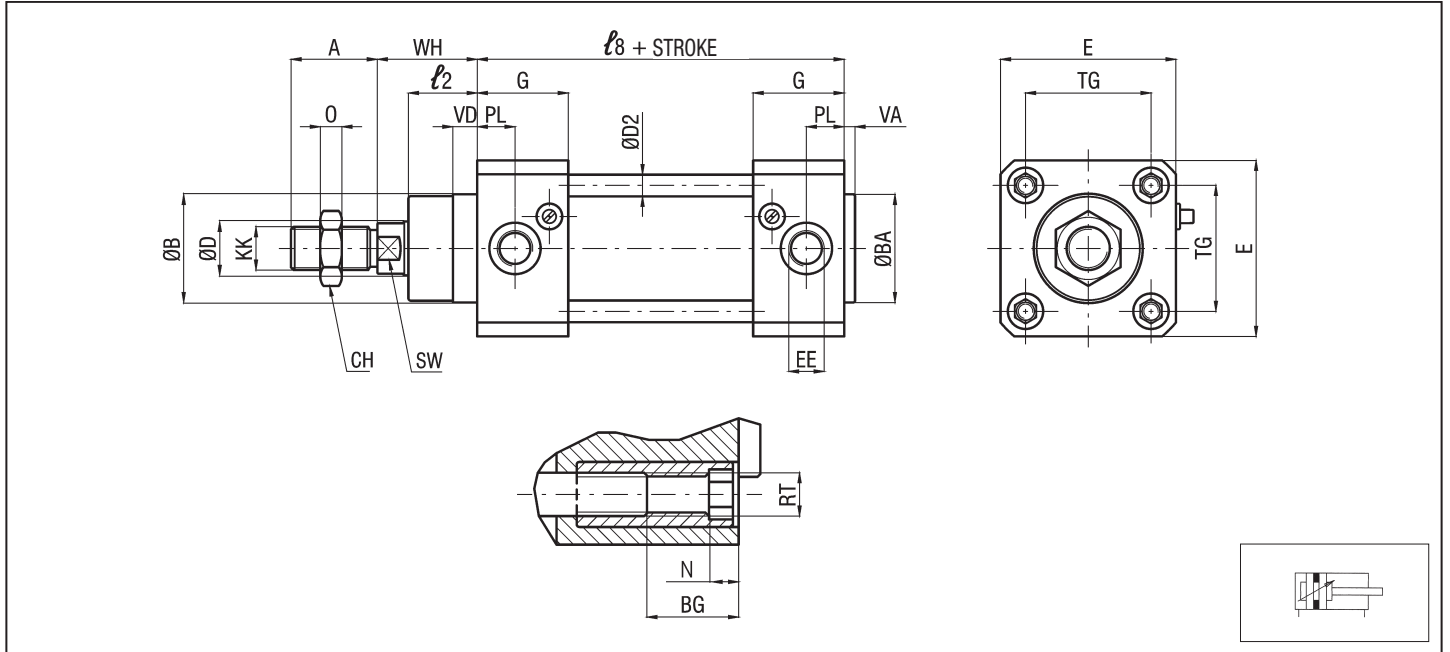
Cylinder Ø 32, 100 mm stroke, double acting, ATEX: **32/100 AX/EX**

Cylinder Ø 40, 150 mm stroke, through rod, seals for high temperature: **40R150 AX2**

SPARE PARTS

SEALS KIT	
Polyurethane	Ø/SG/AX
Through rod polyurethane	Ø/SG/R/AX
For high temperature	Ø/SG/AX2
Through rod for high temperature	Ø/SG/R/AX2

AX BASIC CYLINDER



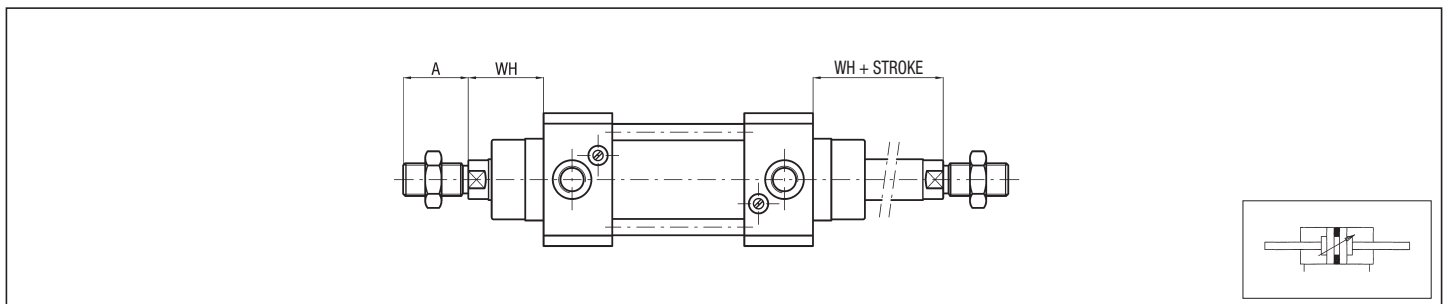
P.S.: Rod nut supplied as standard

DIMENSIONS AND WEIGHT BASIC CYLINDER

\varnothing	A*	BA* B*	BG*	CH	D	D2	E	EE*	G	KK*	ℓ_2^*	ℓ_8^*	N	O	PL*	RT*	SW*	TG*	VA*	WH*	WEIGHT (g)	INCR. (g) every 10 mm
32	22	30	16,5	17	12	6	50	G1/8	30	M10x1,25	18	94	5	6	13	M6	10	32,5	4	26	1330	24
40	24	35	16,5	19	16	6	55	G1/4	33	M12x1,25	22	105	5	7	14	M6	13	38	4	30	1800	32
50	32	40	17,5	24	20	8	65	G1/4	33,8	M16x1,5	25,5	106	5	8	14	M8	17	46,5	4	37	2760	55
63	32	45	17,5	30	20	8	75	G3/8	38	M16x1,5	25	121	5	8	16	M8	17	56,6	4	37	7110	59
80	40	45	17,5	30	25	10	95	G3/8	39,8	M20x1,5	35	128	-	9	17	M10	22	72	4	46	7700	108
100	40	55	17,5	30	25	10	110	G1/2	43,5	M20x1,5	38	138	-	9	18	M10	22	89	4	51	11320	139
125	54	60	20,5	41	32	12	140	G1/2	52,5	M27x2	46	160	-	12	18	M12	27	110	6	65	21831	207
160	72	65	22,5	55	40	16	180	G3/4	45	M36x2	50	179,5	-	14	22,5	M16	36	140	6	80	28023	323
200	72	75	22,5	55	40	16	220	G3/4	45	M36x2	55	180	-	14	22,5	M16	36	175	6	95	40469	466

* STANDARDIZED DIMENSIONS

THROUGH ROD



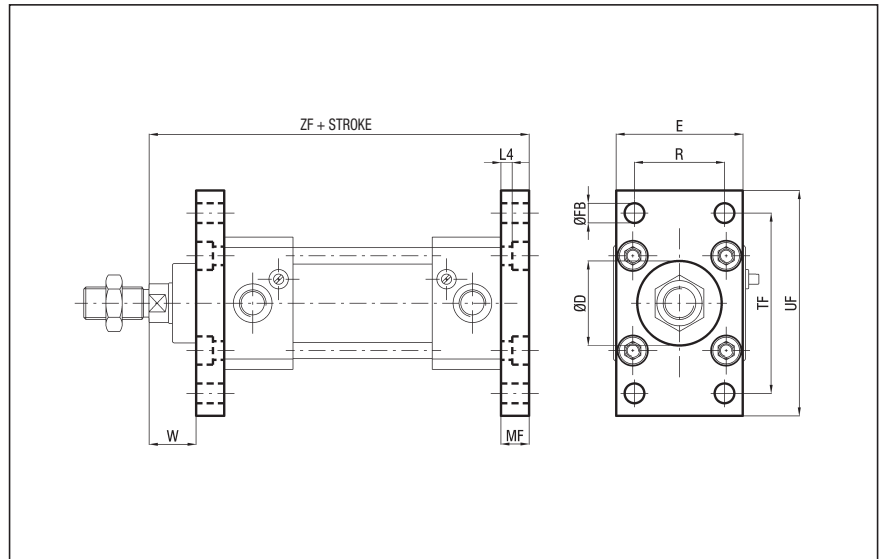
P.S.: Rod nut supplied as standard

1

FLANGE - STAINLESS STEEL - AX/F Ø (Supplied with screws)

Ø	D H11	FB H13	E	MF JS14	R JS14	TF JS14	UF
32	30	7	45	10	32	64	80
40	35	9	52	10	36	72	90
50	40	9	65	12	45	90	110
63	45	9	75	12	50	100	120
80	45	12	95	16	63	126	150
100	55	14	115	16	75	150	170

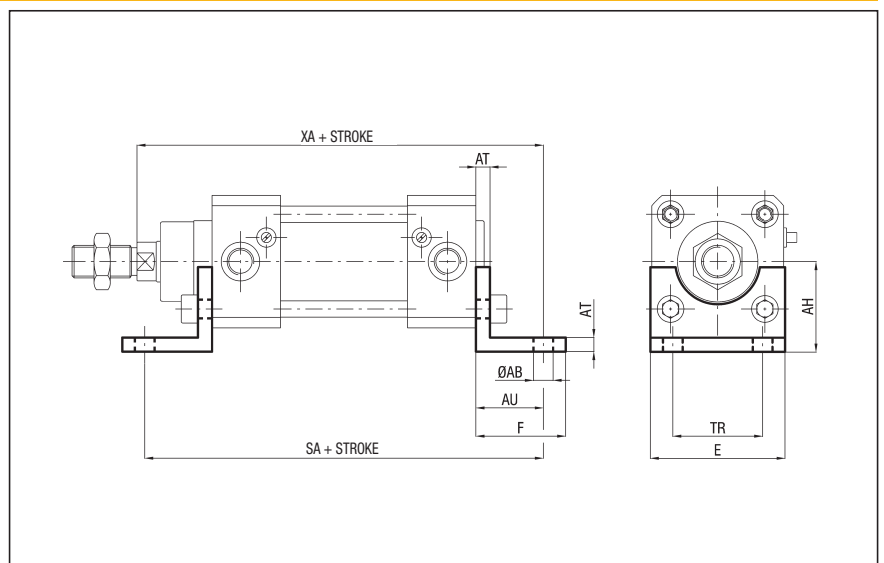
Ø	W	ZF	WEIGHT (g)
32	16	130	190
40	20	145	246
50	25	155	478
63	25	170	622
80	30	190	1430
100	35	205	1986



FOOT - STAINLESS STEEL - AX/PB Ø (Supplied with screws)

Ø	AB H14	AH JS15	AT	AU	E	F	SA
32	7	32	4	24	45	35	142
40	9	36	4	28	52	36	161
50	9	45	5	32	65	47	170
63	9	50	5	32	75	45	185
80	12	63	6	41	95	55	210
100	14	71	6	41	115	57	220

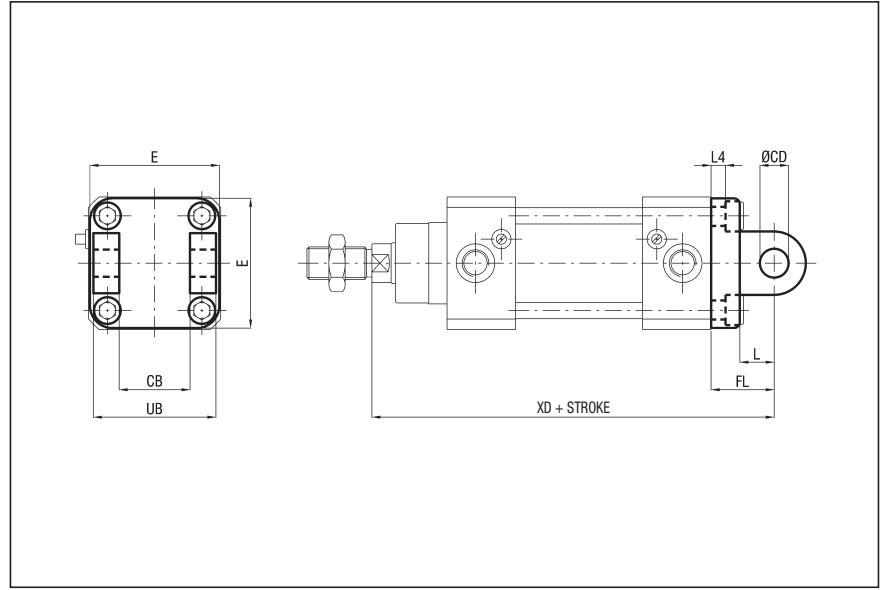
Ø	TR JS14	XA	WEIGHT (g)
32	32	144	66
40	36	163	78
50	45	175	168
63	50	190	190
80	63	215	382
100	75	230	452



REAR FEMALE HINGE - STAINLESS STEEL - AX/CF Ø (Supplied with screws)

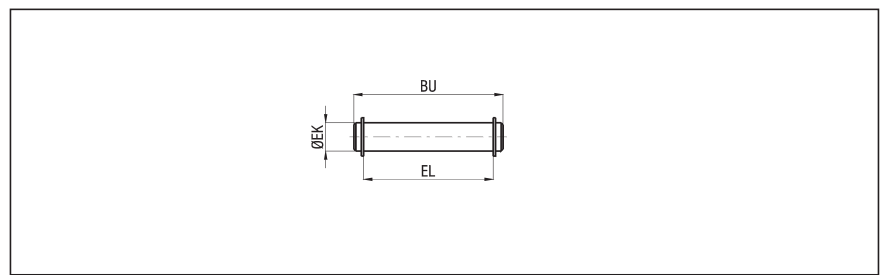
Ø	CB H14	CD H9	E	FL	L	L4	UB h14
32	26	10	45	22	13	5,5	45
40	28	12	52	25	16	5,5	52
50	32	12	65	27	16	6,5	60
63	40	16	75	32	21	6,5	70
80	50	16	95	36	22	10	90
100	60	20	115	41	27	10	110
125	70	25	140	50	30	10	130

Ø	XD	WEIGHT (g)
32	142	138
40	160	230
50	170	338
63	190	540
80	210	1000
100	230	1700
125	275	3350



PIVOT FOR REAR FEMALE HINGE - STAINLESS STEEL - AX/SEC Ø

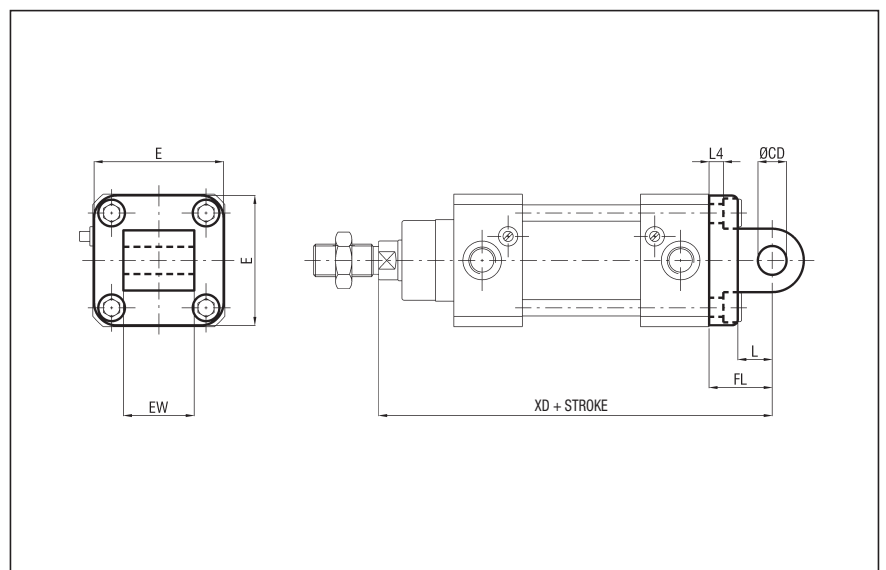
Ø	BU	EK f7	EL	WEIGHT (g)
32	53	10	46	32
40	60	12	53	52
50	68	12	61	60
63	78	16	71	122
80	98	16	91	152
100	118	20	111	290
125	139	25	132	530



REAR MALE HINGE - STAINLESS STEEL - AX/CM Ø

Ø	CD H9	E	EW	FL	L	L4	XD
32	10	45	26	22	13	5,5	142
40	12	52	28	25	16	5,5	160
50	12	65	32	27	16	6,5	170
63	16	75	40	32	21	6,5	190
80	16	95	50	36	22	10	210
100	20	115	60	41	27	10	230
125	25	140	70	50	30	10	275

Ø	WEIGHT ALL. (g)
32	138
40	230
50	338
63	540
80	1000
100	1700
125	3350

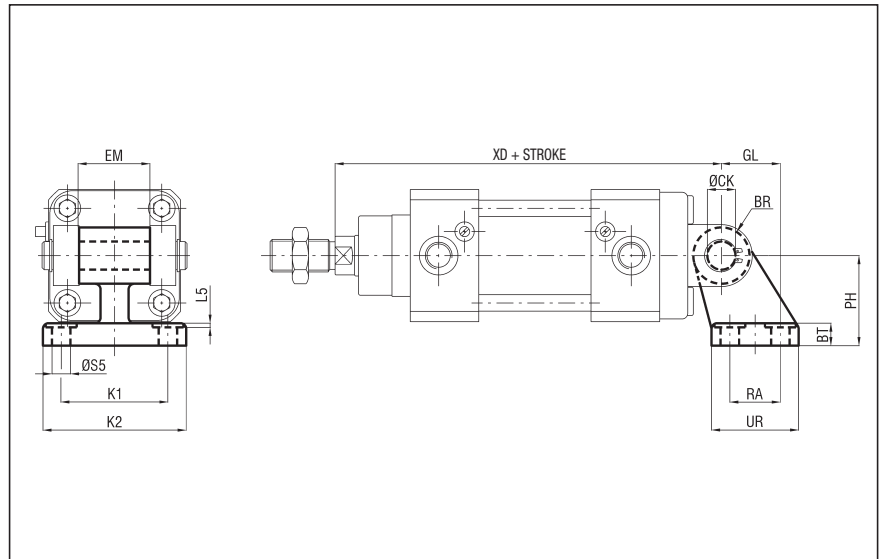


1

SQUARE JOINT - STAINLESS STEEL - AX/AS Ø

Ø	PH JS15	CK H9	EM	GL JS14	RA JS14	UR	BT	L5
32	32	10	26	21	18	31	8	1,6
40	36	12	28	24	22	35	10	1,6
50	45	12	32	33	30	45	12	1,6
63	50	16	40	37	35	50	14	1,6
80	63	16	50	47	40	60	14	2,5
100	71	20	60	55	50	70	17	2,5
125	90	25	70	70	60	90	20	3,2

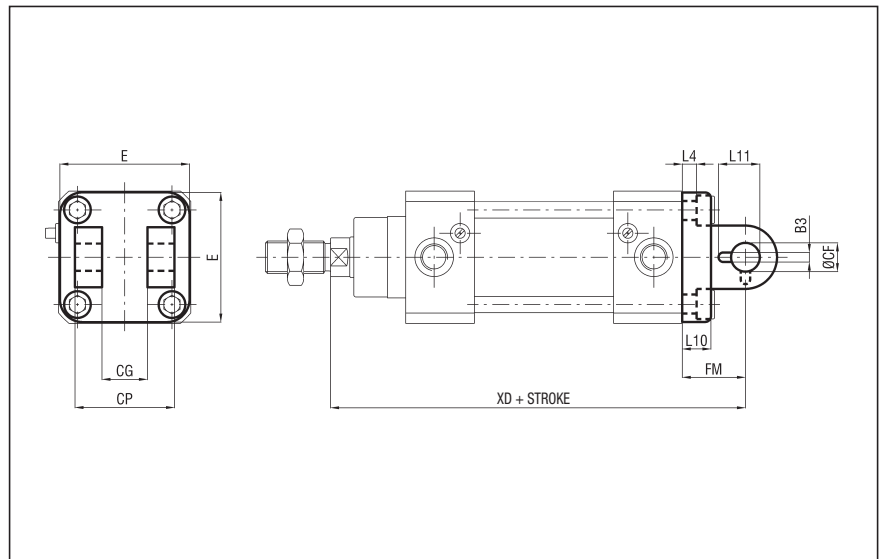
Ø	BR	S5 H13	K1 JS14	K2	XD	WEIGHT (g)
32	10	6,6	38	51	142	158
40	11	6,6	41	54	160	238
50	13	9	50	65	170	418
63	15	9	52	67	190	526
80	15	11	66	86	210	1055
100	19	11	76	96	230	1360
125	22,5	14	94	124	275	3150



NARROW REAR FEMALE HINGE - STAINLESS STEEL - AX/CFS Ø (Supplied with screws)

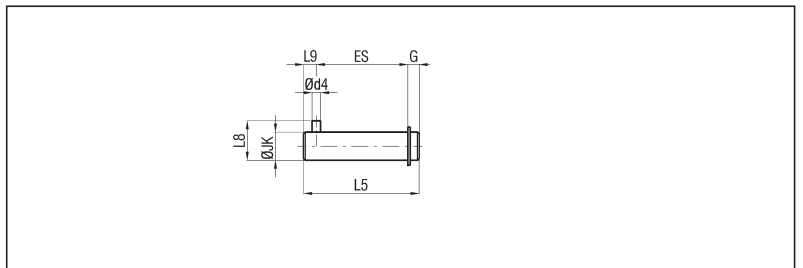
Ø	CG D10	CP d12	B3	ØCF F7	E	FM	L10	L11
32	14	34	3,3	10	45	22	9	16,5
40	16	40	4,3	12	52	25	9	18
50	21	45	4,3	16	65	27	11	22
63	21	51	4,3	16	75	32	11	22
80	25	65	4,3	20	95	36	14	26
100	25	75	6,3	20	115	41	14	26
125	37	97	6,3	30	140	50	20	39

Ø	L4	XD	WEIGHT (g)
32	5,5	142	140
40	5,5	160	230
50	6,5	170	336
63	6,5	190	546
80	10	210	1190
100	10	230	1840
125	10	275	3550



NON-ROTATING PIVOT FOR NARROW REAR FEMALE HINGE - STAINLESS STEEL - AX/SEC Ø AT

Ø	d4 H12	ØJK f7	L8	ES	L9	L5	G	WEIGHT (g)
32	3	10	14	32,5	4,5	41	4	26
40	4	12	16	38	6	48	4	42
50	4	16	20	43	6	54	5	84
63	4	16	20	49	6	60	5	94
80	4	20	24	63	6	75	6	184
100	4	20	34	73	6	85	6	208
125	6	30	36	94	9	110	7	606



Accessories

Fixings for AISI 316 stainless steel cylinders to ISO 15552 standard

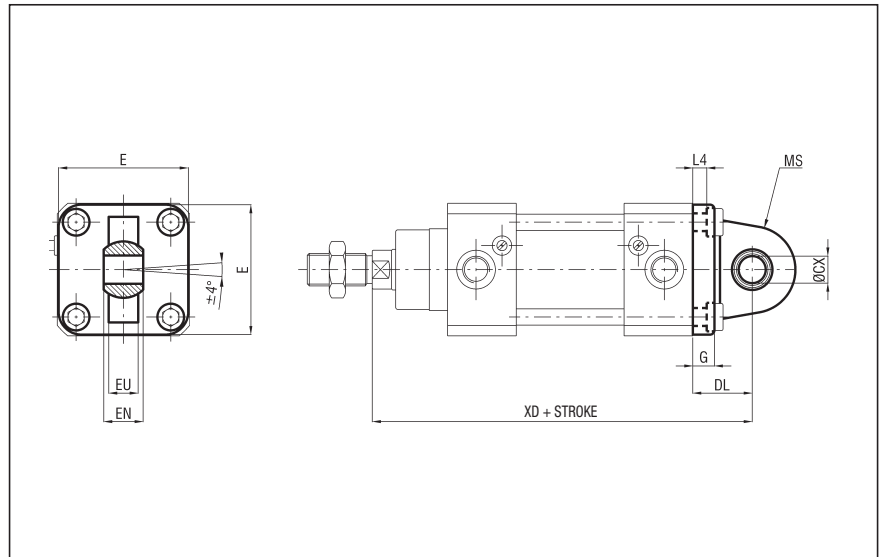
series AX

1

NARROW MALE HINGE WITH ARTICULATED HEAD (ISO 12240) - STAINLESS STEEL - AX/CMSS Ø (Supplied with screws)

Ø	ØCX H7	E	EN	MS	EU	G	DL
32	10	45	14	16	10,5	9	22
40	12	52	16	19	12	9	25
50	16	65	21	21	15	11	27
63	16	75	21	24	15	11	32
80	20	95	25	28,5	18	14	36
100	20	115	25	30	18	14	41
125	30	140	37	40	25	20	50

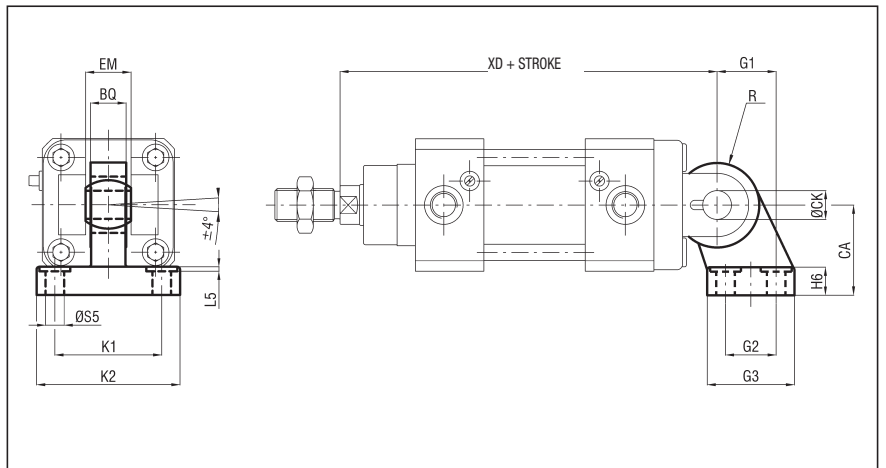
Ø	L4	XD	WEIGHT (g)
32	5,5	142	158
40	5,5	160	254
50	6,5	170	360
63	6,5	190	588
80	10	210	1118
100	10	230	1810
125	10	275	3500



SQAURE JOINT WITH ARTICULATED HEAD (ISO 12240) - STEEL - AX/ASSS Ø

Ø	CA JS15	BQ	CK H7	EM	G1 JS14	G2 JS14	G3	H6
32	32	10,5	10	14	21	18	31	10
40	36	12	12	16	24	22	35	10
50	45	15	16	21	33	30	45	12
63	50	15	16	21	37	35	50	12
80	63	18	20	25	47	40	60	14
100	71	18	20	25	55	50	70	15
125	90	25	30	37	70	60	90	20

Ø	K1 JS14	K2	L5	R	S5 H13	XD	WEIGHT (g)
32	38	51	1,6	15	6,6	142	178
40	41	54	1,6	18	6,6	160	268
50	50	65	1,6	20	9	170	458
63	52	67	1,6	23	9	190	550
80	66	86	2,5	27	11	210	970
100	76	96	2,5	30	11	230	1326
125	94	124	3,2	40	13,5	275	3000

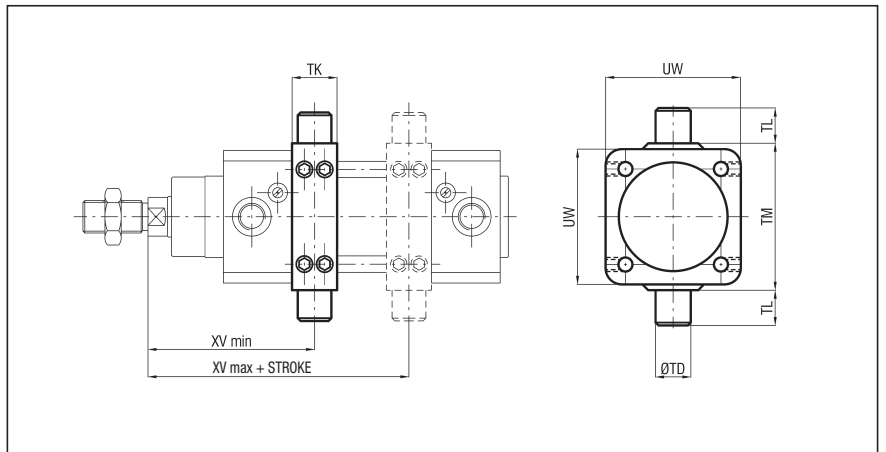


INTERMEDIATE HINGE - STAINLESS STEEL - AX/CTA Ø (Supplied with dowels)

Ø	TK e9	TD h14	TL h14	TM	UW	XV min	XV max	WEIGHT (g)
32	15	12	12	50	46	63,5	82,5	110
40	20	16	16	63	59	73	92	290
50	20	16	16	75	69	80,8	99,2	330
63	25	20	20	90	84	87,5	107,5	650
80	25	20	20	110	102	98,3	121,7	830
100	30	25	25	132	125	109,5	130,5	1560

P.S.:
- ADJUSTABLE POSITION
(Fixings with dowels)

ASSEMBLY:
AX/CTA Ø + cylinder series AX + M/AX/CTA Ø

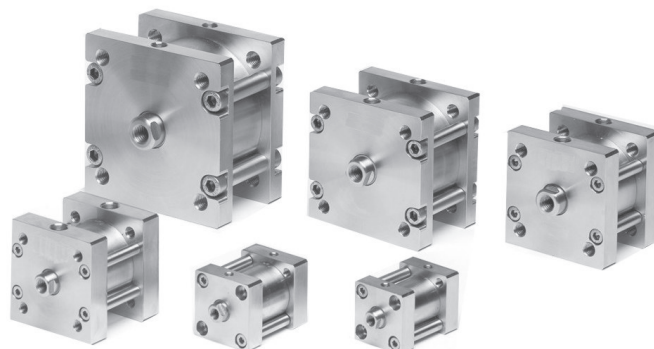


series ABX

Stainless steel
compact cylinders
to ISO 21287 standard

DESCRIPTION

Stainless steel compact cylinders series "ABX" comply with ISO 21287 standard and they are available from Ø20 to Ø100. Besides from Ø125 to Ø200 they are available with end caps distance between centers to ISO 15552 standard. Cylinders series "ABX" have magnetic piston as standard and so they can be supplied with magnetic sensors.



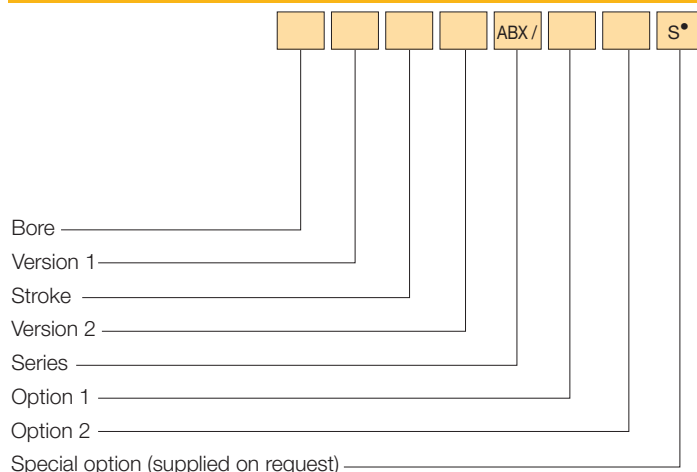
TECHNICAL DATA

Operating pressure	Single acting: 2 ÷ 10 bar Double acting: 1 ÷ 10 bar
Working temperature	0 ÷ +80 °C (with dry air -30 °C) 0 ÷ +200 °C with seals for high temperature (with dry air -10 °C)
Fluid	Compressed air, filtered, continuous lubricated, unlubricated or dry lubricated
Versions	Double acting, Single acting front spring, Single acting rear spring, Through rod
Bore	Ø 20, 25, 32, 40, 50, 63, 80, 100, 125, 160, 200
Port size	Ø 20 - 25 = M5 Ø 32 - 100 = G 1/8 Ø 125 = G 1/4 Ø 160 - 200 = G 3/8
Standard strokes (mm)	10, 25, 50, 75, 100, 125, 160, 200, 250, 300
Maximum strokes (mm)	Ø 20 - 25 = 200 Ø 32 - 40 = 250 Ø 50 ÷ 200 = 300
Max. strokes single acting (mm)	Ø 20 ÷ 100 = 25

MATERIALS

End caps	Ø 20 ÷ 100 = AISI 316 stainless steel Ø 125 ÷ 200 = AISI 304 stainless steel
Cylinder barrel	Ø 20 ÷ 100 = AISI 316 stainless steel extruded tube Ø 125 ÷ 200 = AISI 304 stainless steel extruded tube
Tie rods, tie and rod nuts	Ø 20 ÷ 100 = AISI 316 stainless steel Ø 125 ÷ 200 = AISI 304 stainless steel
Piston rod	Ø 20 ÷ 100 = AISI 316 stainless steel Ø 125 ÷ 200 = AISI 304 stainless steel
Rod nut	Ø 20 ÷ 100 = AISI 316 stainless steel Ø 125 ÷ 200 = AISI 304 stainless steel
Piston rod bearing	Bronze + PTFE
Piston	Aluminium alloy
Seals	Poliurethane FKM (Viton®)
Springs	Zinc-plated springs steel

ORDER KEY



• See Chapter 1, page 1.1.

VERSION 1

/ Basic cylinder R Through rod

VERSION 2

D Double acting Y Single acting rear spring*
S Double acting front spring*

OPTION 1

2 Seals for high temperature**

OPTION 2

7 Male threaded piston rod 8 Female threaded piston rod

* Supplied from Ø 20 ÷ 100.

** Available even with FKM (Viton®) seals but just for application where is needed a chemical compatibility; not available for high temperature.

ORDERS EXAMPLES

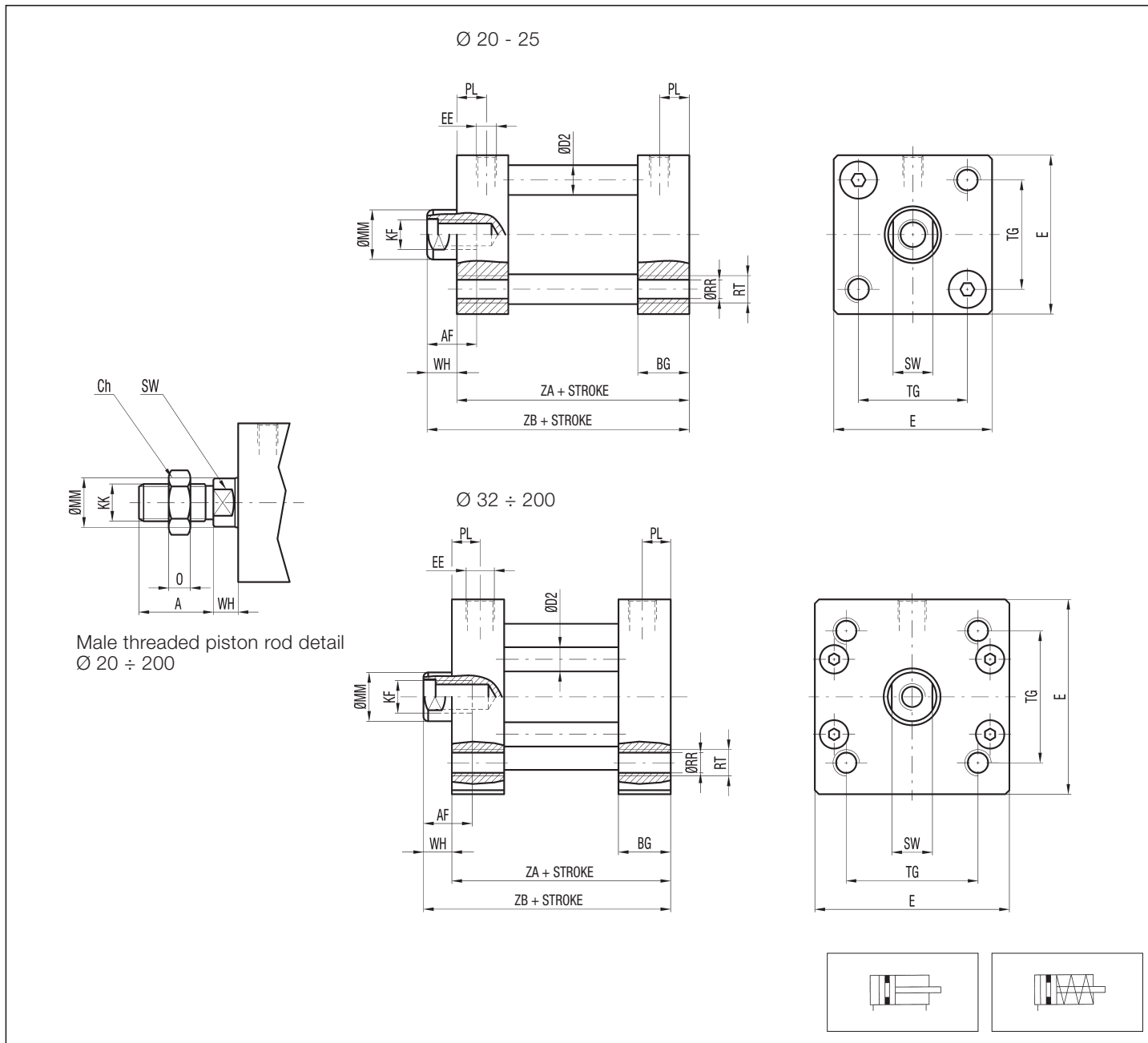
Basic cylinder Ø 50, 50 mm stroke, double acting, female threaded piston rod: **50/50 DABX8**

Basic cylinder Ø 32, 25 mm stroke, simple acting front spring, male threaded piston rod: **35/25 SABX7**

SPARE PARTS

KIT GUARNIZIONI	
Poliurethane	Ø/SG/ABX
Through rod, polyurethane	Ø/SG/R/ABX
For high temperature	Ø/SG/ABX2
Through rod for high temperature	Ø/SG/R/ABX2

ABX BASIC CYLINDER



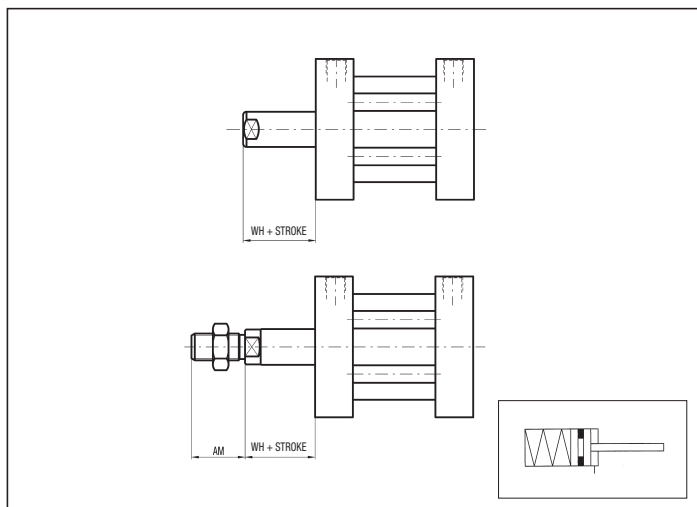
P.S.: Rod nut supplied as standard

DIMENSIONS AND WEIGHTS BASIC CYLINDER

Ø	A	AF	BG	CH	D2	DT	E	EE	KF	KK	LA	MM	O	PL	RR	RT	SW	TG	WH	ZA	ZB	WEIGHT (g)		INCR. (g) x 5 mm
																						A	AF	
20	16	10	10,4	13	6	7,5	32	M5	M6	M8	4,5	10	5	6	4,2	M5	8	22	6	37	43	295	289	8
25	16	10	10,4	13	6	7,5	32	M5	M6	M8	4,5	10	5	6	4,2	M5	8	26	6	39	45	349	343	13,5
32	19	12	12,9	17	6	-	49	G 1/8	M8	M10x1,25	-	12	6	7	5,3	M6	10	32,5	7	44	51	693	674	17,5
40	19	12	13,2	17	6	-	56	G 1/8	M8	M10x1,25	-	12	6	7	5,2	M6	10	38	7	45	52	901	882	19
50	22	16	13,2	19	7	-	66	G 1/8	M10	M12x1,25	-	16	7	7	6,7	M8	13	46,5	8	45	53	1238	1204	27
63	22	16	13,2	19	7	-	78	G 1/8	M10	M12x1,25	-	16	7	7	6,7	M8	13	56,5	8	49	57	1911	1877	38
80	28	20	13,3	30	10	-	98	G 1/8	M12	M12x1,25	-	20	8	7,5	8,5	M10	17	72	10	54	64	2702	2660	57
100	28	24	17,6	30	10	-	116	G 1/8	M12	M16x1,5	-	25	8	9,5	8,5	M10	21	89	10	67	77	4842	4760	72
125	54	25	22	41	10	-	140	G 1/4	M14	M27x2	-	30	12	10	10,2	M12	28	110	10	78	88	8243	7890	97
160	72	30	26	55	12	-	180	G 3/8	M20	M36x2	-	40	14	12	14,2	M16	36	140	12	87	99	16100	15290	147,5
200	72	30	26	55	14	-	220	G 3/8	M20	M36x2	-	40	14	12	14,2	M16	36	175	12	87	99	24250	23440	225

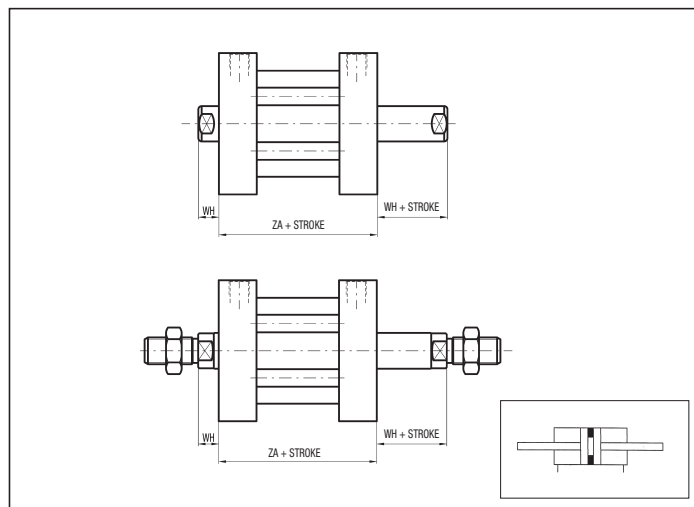
1

SINGLE ACTING REAR SPRING



P.S.: Rod nut supplied as standard

THROUGH ROD



P.S.: Rod nut supplied as standard

P.S.: Accessories for **AX** series can be used just for $\varnothing 32 \div 200$. See from page 1.52.



WAIRCOM M.B.S. S.p.A.

Via Piemonte, 13/15 - 20070 - VIZZOLO PREDABISSI (MILANO) - ITALY
Telefono / Telephone: (+ 39) 02.98.23.08.21 - Telefax / Fax: (+ 39) 02.98.23.08.30
www.waircom-mbs.com - info@waircom-mbs.com