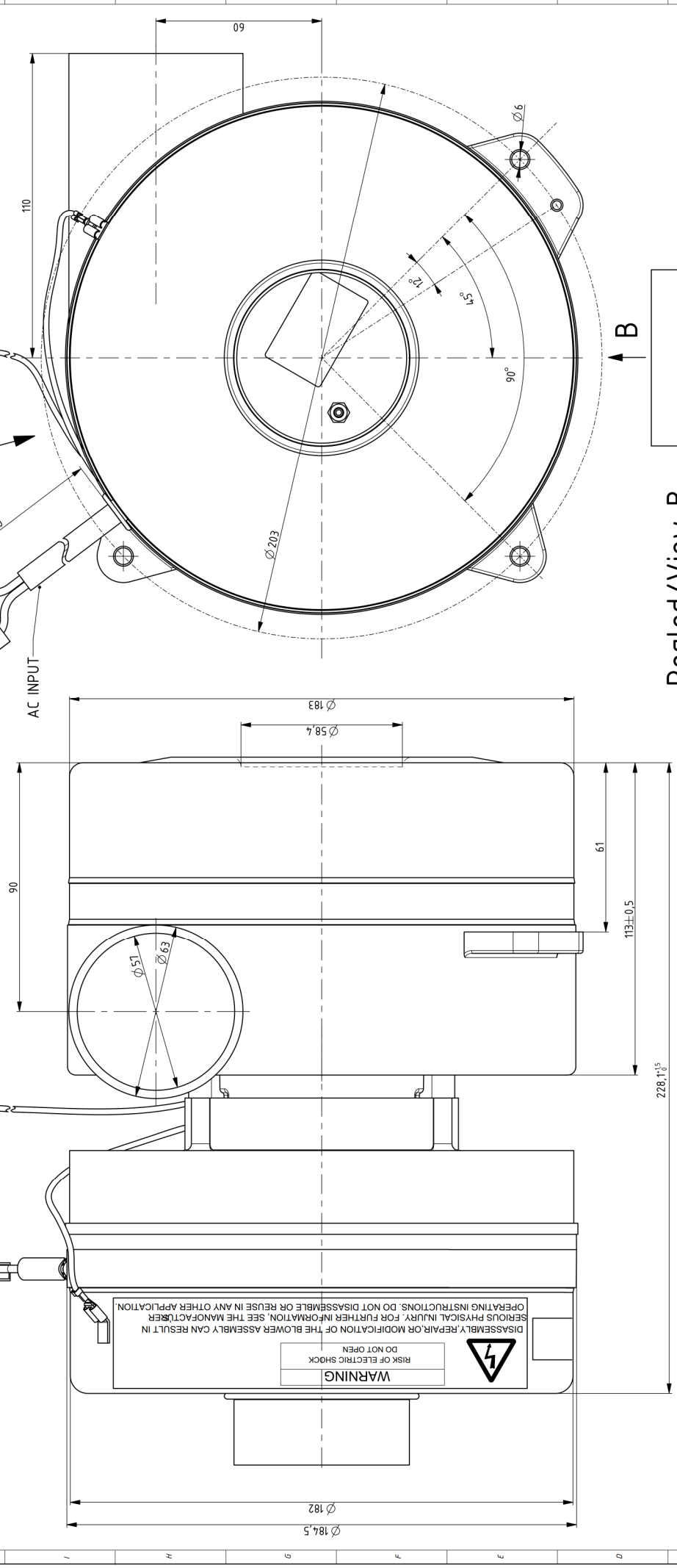


1	2	3	4	5	6	7	8	9	10	11	12	13	
<b>NAPEČNOST</b> VOLTAGE <b>230 V</b>													
<b>FREKVENCA</b> FREQUENCY <b>50/60 Hz</b>													
<b>NAZIVNA MOČ</b> NOMINAL POWER <b>1800 W</b>													



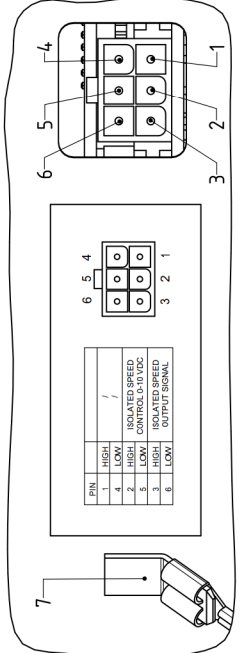
**Pogled/View B**

**WARNING**  
 RISK OF ELECTRIC SHOCK  
 DO NOT OPEN

**DISASSEMBLY, REPAIR, OR MODIFICATION OF SERIOUS PHYSICAL INJURY. FOR FURTHER INFORMATION, SEE THE MANUFACTURER OPERATING INSTRUCTIONS. DO NOT DISASSEMBLE OR REUSE IN ANY OTHER APPLICATION.**

**Thermally Protected**  
 XXXXX  
 XXXXX  
 XXXXX  
 XXXXX  
 XXXXX

**Pogled/View A**



**Conector TYCO 1586041-6**

PIN	1	2	3	4	5	6	7
Function	/	HIGH	LOW	HIGH	LOW	HIGH	PE
Control	/	Isolated speed control 0-10 VDC	Isolated speed control 0-10 VDC	Isolated speed control 0-10 VDC	Isolated speed control 0-10 VDC	Isolated speed control 0-10 VDC	Protective Earth

OSNOVNE ZNAČILNOSTI	TYPICAL CHARACTERISTICS
IZVEDBA	FAN SYSTEM
VLEŽAJENJE	TWO STAGE
VRSTA PRETOKA	DUAL BALL
SMER VRTENJA	DISCHARGE BY PASS
	DIRECTION OF ROTATION
	CCW

Reference Designation ISO 8015 ISO 2268 - mmK	Original format ISO 3437 - A2
Scale 1:2	Material
Project 06.10.15	Drawn 06.10.15
Checked 01.06.11	Approved 01.06.11
Designed 06.10.15	Released 06.10.15
Drawn 06.10.15	Checked 06.10.15
Checked 15.06.11	Released 15.06.11
Approved 15.06.11	Released 15.06.11

AD 12037	06.10.15	B. Paik
B1 10955	21.01.13	B. Paik
A0 9983	15.06.11	B. Paik
02m	5 <sup>th</sup> revision	Date
02m	5 <sup>th</sup> revision	Date

AD 12037	06.10.15	B. Paik
B1 10955	21.01.13	B. Paik
A0 9983	15.06.11	B. Paik
02m	5 <sup>th</sup> revision	Date
02m	5 <sup>th</sup> revision	Date

AD 12037	06.10.15	B. Paik
B1 10955	21.01.13	B. Paik
A0 9983	15.06.11	B. Paik
02m	5 <sup>th</sup> revision	Date
02m	5 <sup>th</sup> revision	Date

AD 12037	06.10.15	B. Paik
B1 10955	21.01.13	B. Paik
A0 9983	15.06.11	B. Paik
02m	5 <sup>th</sup> revision	Date
02m	5 <sup>th</sup> revision	Date