


VersiDrive i E3/3E3 [0,37 – 22kW] 4.01

Features:

- small design
- easy programming and connection
- precise and reliable control for IE2, IE3 & IE4 motors
- induction motors, PM motors, brushless DC motors, synchronous reluctance motors
- 14 parameters for basic settings
- precise digital control via push of a button
- application macros (industrial-, pumps- and fan operation)
- PTC input
- max. rotating field frequency 500Hz
- integrated braking chopper (up from 2,2kW)
- degree of protection IP20
- integrated mains filter
- serial communication with Modbus RTU and CANopen



AC drive
VD i E3 [0,37 – 2,2kW]
VD i 3E3 [0,75 – 22kW]
CE 

Function:

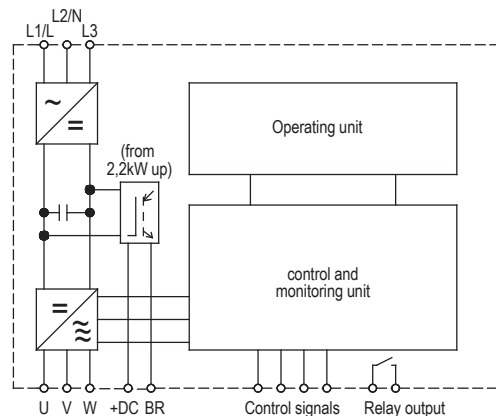
- control and setpoint entry via terminals, operating unit and Bus-systems
- PWM clock frequency 4 - 32kHz
- DC braking
- potential-free control and signalling contacts
- 150% overload for 60s
- detailed trouble check via parameter „0“
- integrated PI controller
- U/f characteristics control
- Open Loop vector speed control
- Open Loop speed control for synchronous motors
- BLDC vector control
- synchronous reluctance motor

Options: (please see accessories)

- memory stick with copying function
- remote control module (LED or OLED display)
- RJ45 cable and cable splitter
- braking resistors
- software for parameterization

Typical Application:

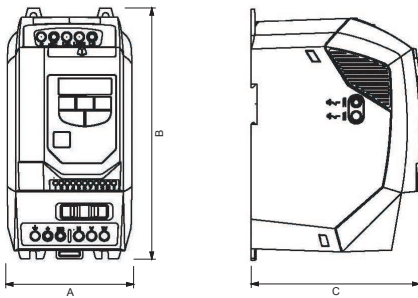
electric pumps, heat pumps, vacuum pumps
ventilators and fans, travelling cranes, extraction systems
compressors, stirrers, centrifuges, saws, conveyors
woodworking machines, grinding machines
textile machines, packaging machines
printing machines, other



Typical designation	VD i .../E3				VD i.../3E3									
	037	075	150	220	075	150	220	400	550	750	1100	1500	1850	2200
motor shaft power / kW	0,37	0,75	1,5	2,2	0,75	1,5	2,2	4,0	5,5	7,5	11,0	15,0	18,5	22
mains voltage according to DIN EN 50160 (IEC 38)	single-phase 200-240V, 48-62Hz				three-phase 380-480V, 48-62Hz									
output current / A	2,3	4,3	7	10,5	2,2	4,1	5,8	9,5	14	18	24	30	39	46
order number: 21300. ...	23037	23075	23150	23220	40075	40150	40220	40004	40005	40007	40011	40015	40018	40022
recommended mains filter (class C1)	27012.24016		27012.24030		27114.48006		27114.48016		27114.48030			27114.48055		

Technical data	VD i ... /E3				VD i ... /3E3									
	0,37	0,75	1,5	2,2	0,75	1,5	2,2	4,0	5,5	7,5	11,0	15,0	18,5	22,0
motor shaft power / kW	0,37	0,75	1,5	2,2	0,75	1,5	2,2	4,0	5,5	7,5	11,0	15,0	18,5	22,0
mains voltage according to DIN EN 50160 (IEC 38)	single-phase 200-240V, 48-62Hz				three-phase 380-480V, 48-62Hz									
output current / A	2,3	4,3	7	10,5	2,2	4,1	5,8	9,5	14	18	24	30	39	46
peak current for 1min./ A	3,5	6,5	10,5	15,7	3,3	6,2	8,7	14,3	21	27	36	45	58	69
control functions														
frequency setting range	0 – 500Hz													
torque boost	sensorless vector speed control, PM vector control, BLDC vector control, synchronous reluctance motor													
ramp-up and ramp-down time	0 ... 600s													
frequency setpoint	potentiometer $\geq 1k\Omega$, analogue signals, keypad, fixed frequencies, motor potentiometer, Modbus RTU, CANopen													
ambient / storage temperature	-10 ... 50°C, -40 ... 60°C													
design size	1			2	1		2	3			4			
weight / kg	1			1,7	1		1,7	3,2			9,1			

Dimensions:



size	A	B	C
1	82	173	123
2	109	221	150
3	131	261	175
4	171	420	212

All dimensions indicated in mm

Connection Diagram:

