

holding system



NF60003

DG60003

MG60003

MG70003

MA60003



MODULAR HOLDERS

NEW

The smallest and lightest arm in the market.



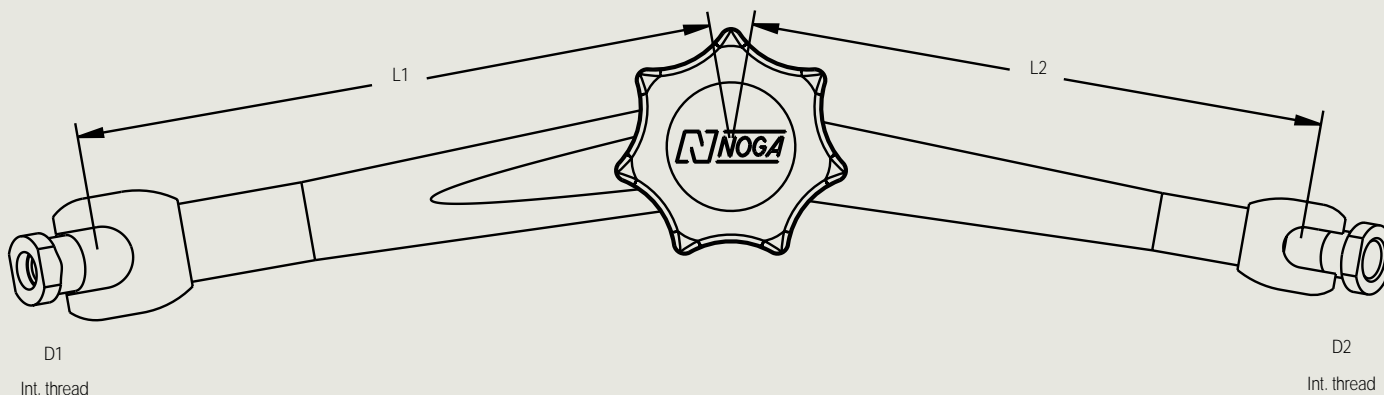
LC6100

Six different sizes of articulated arms are offered for a wide range of applications.

Choose the arms that fit your needs.

A number of accessories are shown on pages 18-19 and 22-23.

Custom-made arms and accessories are available upon request. Minimum quantity 500 pcs.


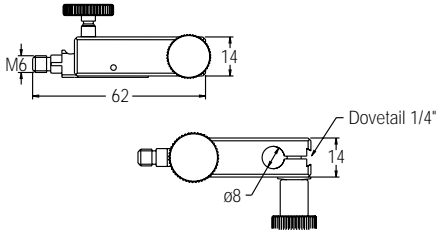

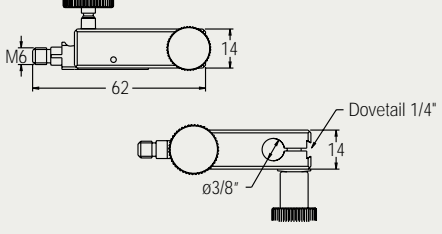

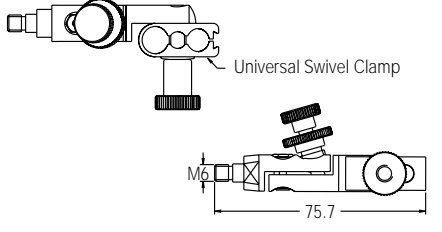

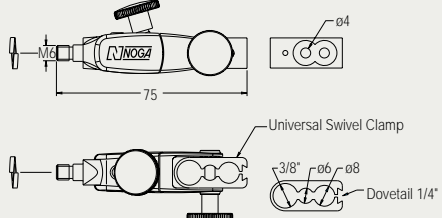


All measurements are in mm unless otherwise mentioned.

Order no.	Weight [Kg]	Int. thread		Arms length		
		D1	D2	L1	L2	Total L1+L2
NEW LC6100	0.121	M6	M6	38	38	76
NF60003	0.210	M6	M6	56	51	107
DG60003	0.250	M6	M6	110	101	211
MG60003	0.750	M8	M6	133	113	246
MG70003	0.800	M8	M6	163	113	276
MA60003	3.000	M10 x 1.25	M6	286.5	222.5	509

holding system

Top attachments for dial & test indicators


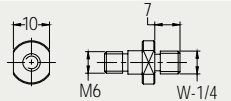

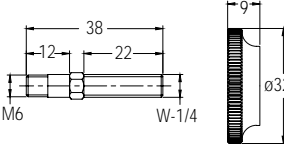

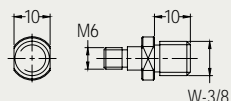

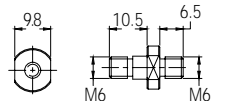

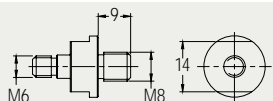

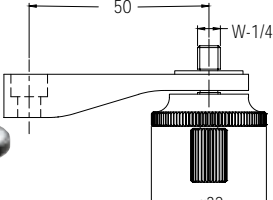
FA1300	M6	PLASTIC F.A. 8mm		
FA1301	M6	PLASTIC F.A. 3/8"		
FA1400	M6	2SM Metal F.A. 6mm, 8mm, 3/8"		
FA1500	M6	Metal F.A. 6mm, 8mm, 3/8"		

Clamps for top attachment


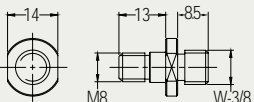

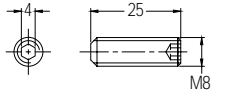
NF0125	M6 EXT.	CLAMP 1"		
DG0125	M6 EXT.	CLAMP 2"		

ACCESSORIES


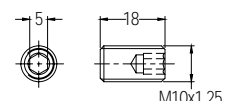

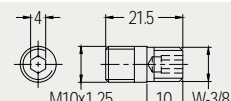

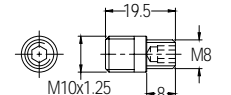
M6 Accessories

AD6010		
AD6013		
AD6030		
AD6060		
AD6080		
MA0125		

M8 Accessories

AD8030		
AD8080		

M10 x 1.25 Accessories




AD1000		
AD1030		
AD1080		

3 Points Clamp


	Dia. Post	Dia. Arm	
PH0315	10	8	For Holder PH3100
PH0310	14	12	For Holders: PH2040 PH6400 PH6410
PH0312	16	16	For Holders: PH4016, PH6600, PH6610
PH0313	18	16	For Holders: PH6800, PH6810



Knobs

DG0160	Knob for NF&DG Holders	
MG1620	Knob for MG Holders	
MA0100	Knob for MA Holders	

Screws

DG0340	M5x0.5	Replacement screw for FA1500.	
DG0141	M4x0.5	Replacement screw for NF10403, NF10433, DG10503, DG10533, MG10503 & MG10533.	