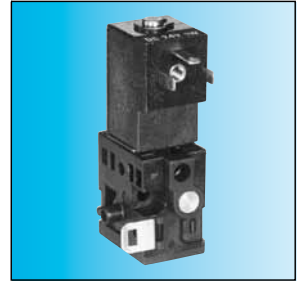
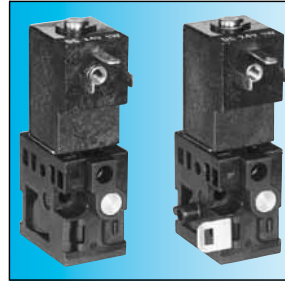
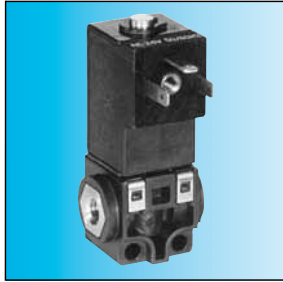


Multi-fluid solenoid valves



Standard 2/2 miniature solenoid valves for fluids and inert gases

- Autonomous
- Mounted individually or in a battery
- Variable orientation coil
- Low power consumption : 1 W
- Quick to fit together, no tools needed
- M5 fittings or possibility of barb



Mounting

Individual

Bank end valves (1 pair)

Intermediate valve

Part numbers

| Orifice diameter | KV | Adjustment range | Power | NC | NC | NC |
|------------------|-----|------------------|-------|------------|------------|------------|
| 0.8 mm | 0.3 | 1 • 8 b | 1W | 81 546 001 | 81 547 001 | 81 547 501 |

Standard features

| | |
|--------------------------------------|--|
| Voltage | 24V \sim |
| Electrical connections | 2.8 x 0.5 blade terminals (W7D5) at 9.4 mm centres |
| Fluid connection | tapped holes M5 |
| Manual override + pressure indicator | without |

General characteristics

| | |
|------------------------------|--|
| Response time | 5 → 15 ms |
| Operating temperature | - 5 °C → +50 °C |
| Viscosity range | up to 30 cst |
| Vibration resistance | up to 5 g |
| Air flow rate (at 2 bars) | 15 → 40 NI/mn |
| Maximum switching rate | 30 Hz |
| Weight | Individual mounting: 32.5 g Bank end/inner valves: 35 g |
| Body material | Glass-reinforced polyamide 6.6 |
| Mechanical life (operations) | 1.5 x 10 ⁷ |
| UL and cUL approval | MH 15085 |

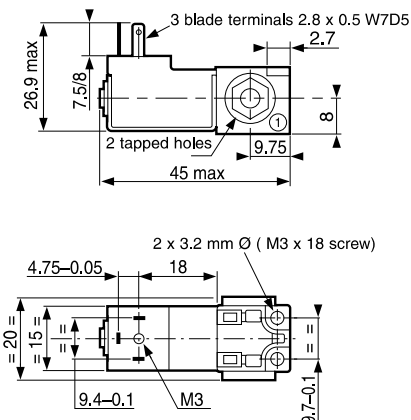
Accessories for 2/2 miniature solenoid valves

| | |
|--|------------------------------------|
| Connector for solenoid valve (see page 65) | 81 516 082 |
| Visual indicators (see page 65) | 24 V-50/60 Hz CC: 81 513 052 |
| | 48 V-50/60 Hz AC: 81 513 055 |
| | 110 V-50/60 Hz AC: 81 513 058 |
| | 220 V-50/60 Hz AC: 81 513 059 |
| LED seal (see page 65) | 12-24 V \sim \sim : 81 513 064 |

Dimensions

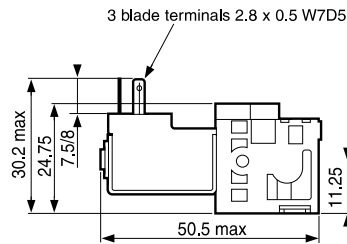
Individual

81 546 0



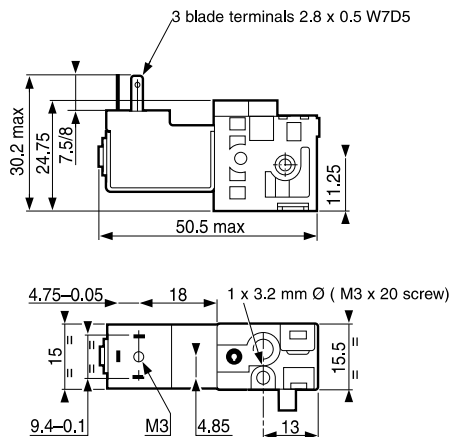
Bank end valves (1 pair)

81 547 0



Intermediate valve

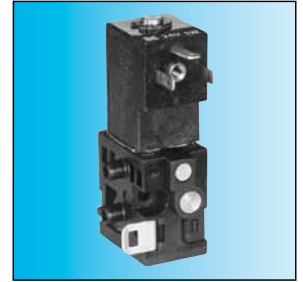
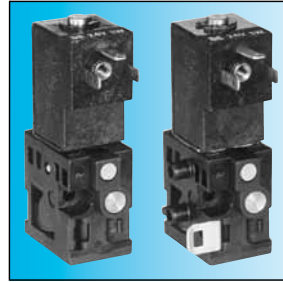
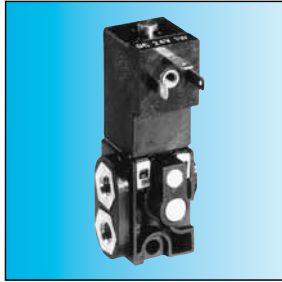
81 547 5



6

Standard 3/2 miniature solenoid valves for fluids and inert gases

- Autonomous
- Mounted individually or in a battery
- All connections on one face
- Small size



Mounting

Individual

Bank end valves (1 pair)

Intermediate valve

Part numbers

| Orifice diameter | KV Débit | Adjustment range | Power | NC | NC | NC |
|------------------|----------|------------------|-------|------------|------------|------------|
| 0.8 mm | 0.3 25 | 1 • 8 b | 1W | 81 548 010 | 81 549 010 | 81 549 510 |
| 0.8 mm | 0.3 | 1 • 8 b | 2W | | | |
| 1.2 mm | 0.6 40 | - 0.9 • 3 b | 2W | 81 548 011 | 81 549 011 | 81 549 511 |
| 1.5 mm | 0.8 60 | 0 • 2 b | 2W | 81 548 012 | 81 549 012 | 81 549 512 |

Standard features

| | |
|------------------------|--|
| Voltage | 24V $\overline{\text{---}}$ |
| Electrical connections | 2.8 x 0.5 blade terminals (W7D5) at 9.4 mm centres |
| Fluid connection | tapped holes M5 |
| Manual override | by impulse |
| Pressure indicator | without |

General characteristics

| | |
|------------------------------|--|
| Response time | 5 → 15 ms |
| Operating temperature | - 5 °C → +50 °C |
| Viscosity range | up to 30 cst |
| Vibration resistance | up to 5 g |
| Air flow rate (at 2 bars) | 15 → 40 NI/min |
| Maximum switching rate | 30 Hz |
| Weight | Individual mounting: 32.5 g Bank end/inner valves: 35 g |
| Body material | Glass-reinforced polyamide 6.6 |
| Mechanical life (operations) | 1.5 x 10 ⁷ |
| UL and cUL approval | MH 15085 |

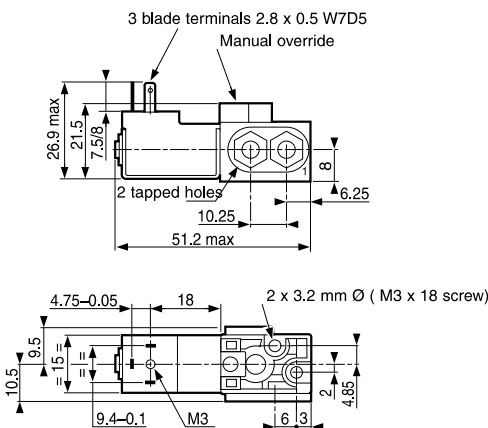
Accessories for 3/2 miniature solenoid valves

| | |
|--|---|
| Connector for solenoid valve (see page 5/11) | 81 516 082 |
| Visual indicators (see page 65) | 24 V-50/60 Hz DC: 81 513 052 |
| | 48 V-50/60 Hz AC: 81 513 055 |
| | 110 V-50/60 Hz AC: 81 513 058 |
| | 220 V-50/60 Hz AC: 81 513 059 |
| LED seal (see page 65) | 12-24 V \sim $\overline{\text{---}}$: 81 513 064 |

Dimensions

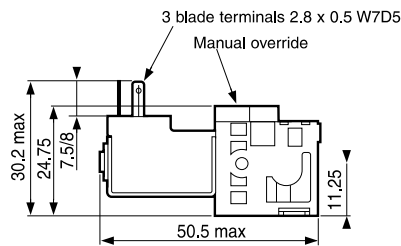
Individual

81 548 0



Bank end valves (1 pair)

81 549 0



Intermediate valve

81 549 5

