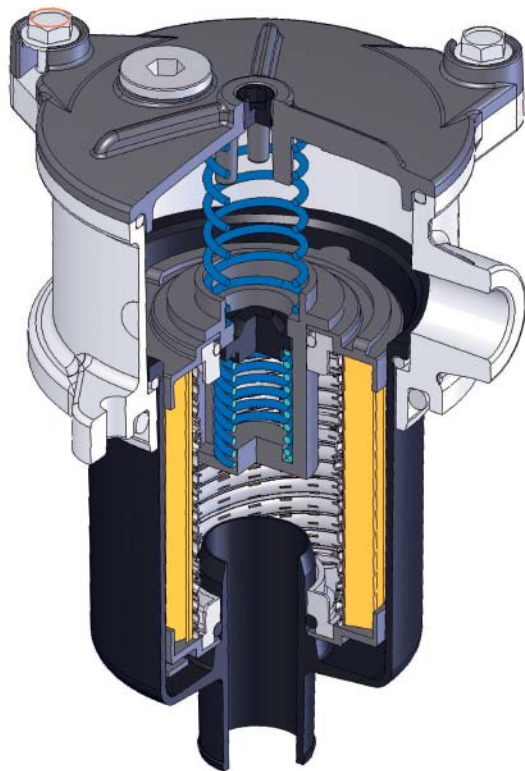
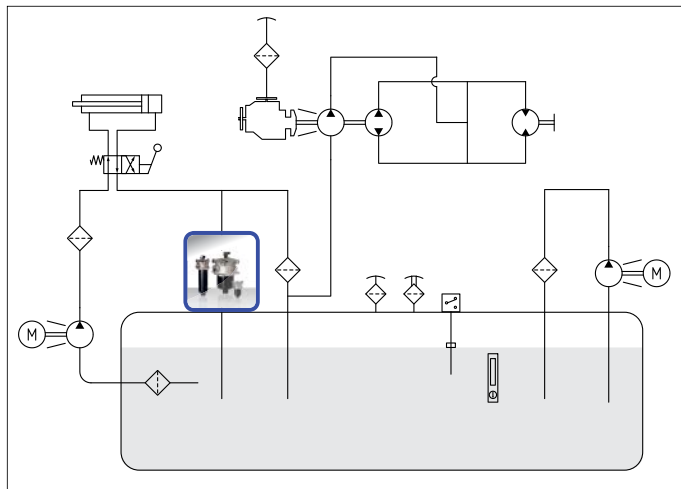


RFM



TANK TOP RETURN FILTER





RFM

300 kPa (3 bar)

Ports: 3/8" ÷ 2" 1/2
Flow rates: 5 ÷ 700 l/min

TECHNICAL DATA

Max. working pressure: 300 kPa (3 bar)
Max. test pressure: 500 kPa (5 bar)
Bursting pressure: 1 MPa (10 bar)
Fatigue test: 0 ÷ 300 kPa (3 bar) / 300.000 cycles
Bypass valve: Δp 170 kPa (1,7 bar) \pm 0,2

Filter element collapse pressure:

Δp 300 kPa (3 bar)
(type CD-CV) - ISO 2941
 Δp 1 MPa (10 bar)
(type DR-VR-MV-MS-MN- FT-FC-FD-FV) - ISO 2941

Working temperature: -25 ÷ +110°C

MATERIALS

Cover and head: aluminium
Bowl: polyamide (steel for size 004 and 055 to 160)
Seals: standard NBR
on request FKM

COMPATIBILITY (ISO 2943:1999)

Full with fluids: HH-HL-HM-HV-HTG
(according to ISO 6743/4).
For fluids different than the above mentioned,
please contact our Sales Department.

All tests performed according
to the following standards:

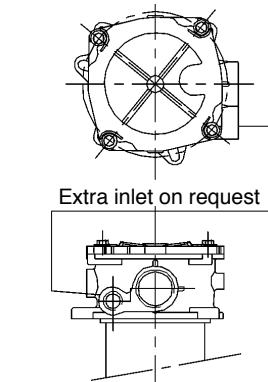
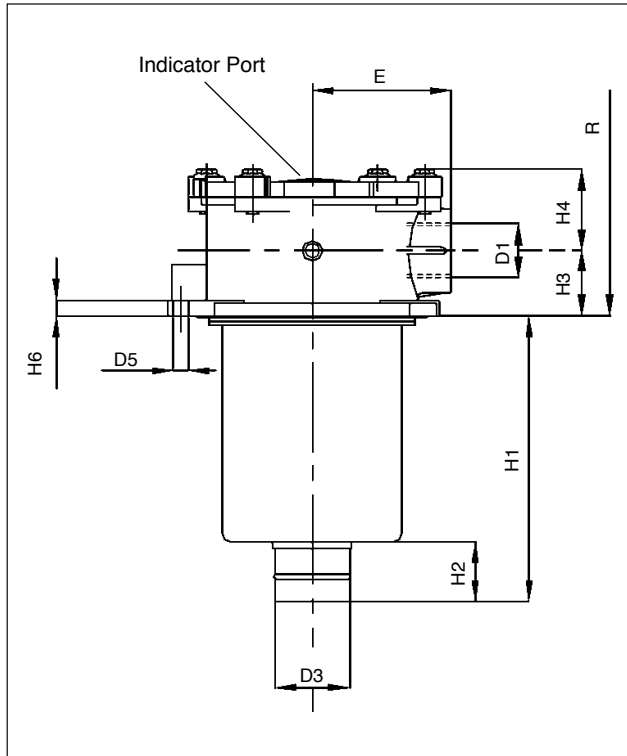
ISO 2941: Element collapse resistance test
ISO 2942: Production integrity test
ISO 2943: Fluids compatibility
ISO 3723: End load test method
ISO 3724: Flow fatigue resistance method
ISO 3968: Pressure drop versus flow rate
ISO 16889: Multipass test.

For further information contact our Technical Dept.

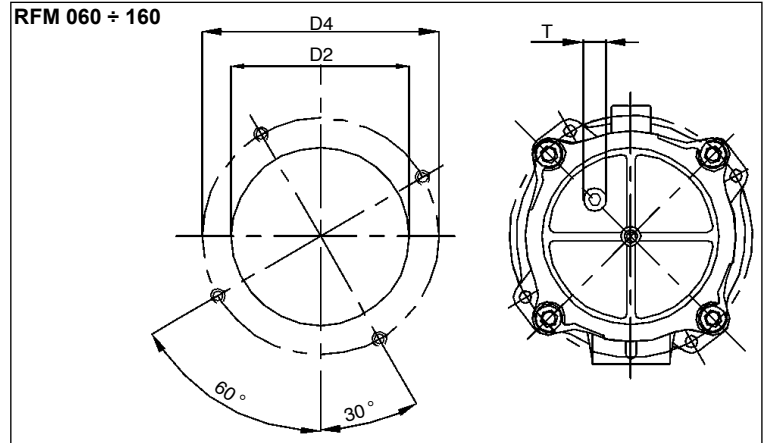
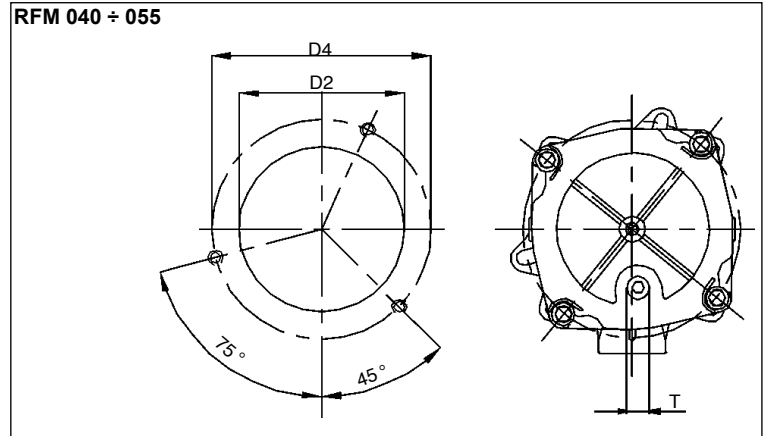
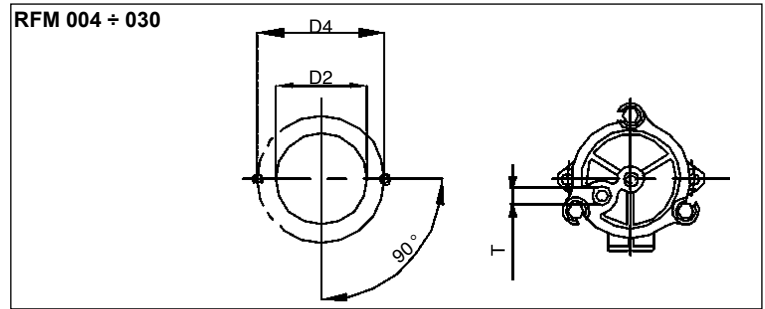
DIMENSIONAL LAYOUT

(mm)

TANK MOUNTING PATTERN



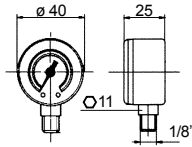
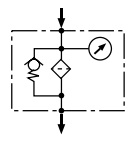
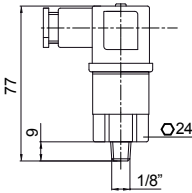
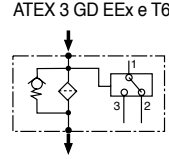
For RFM 040 - 050 - 055 only



| Type | D1 | D2 min | D2 max | D3 | D4 | D5 | H1 | H2 | H3 | H4 | H5 | E | T | Weight Kg |
|---------|------------|--------|--------|------|-----|------|-----|----|----|----|----|-----|------|-----------|
| RFM 004 | 3/8" | 50 | 50 | 12 | 80 | 6,5 | 59 | 16 | 12 | 33 | 9 | 40 | 1/8" | 0,3 |
| RFM 008 | 1/2" | 67 | 68 | 24 | 90 | 6,5 | 80 | 20 | 22 | 33 | 9 | 50 | 3/8" | 0,45 |
| RFM 009 | M 18 x 1,5 | 67 | 68 | 24 | 90 | 6,5 | 80 | 20 | 22 | 33 | 9 | 50 | 3/8" | 0,45 |
| RFM 011 | M 22 x 1,5 | 89 | 90 | 28 | 115 | 9 | 107 | 27 | 28 | 44 | 12 | 67 | 3/8" | 0,8 |
| RFM 012 | 1/2" | 89 | 90 | 28 | 115 | 9 | 107 | 27 | 28 | 44 | 12 | 67 | 3/8" | 0,8 |
| RFM 015 | 3/4" | 89 | 90 | 28 | 115 | 9 | 107 | 27 | 28 | 44 | 12 | 67 | 3/8" | 0,8 |
| RFM 020 | 3/4" | 89 | 90 | 28 | 115 | 9 | 150 | 27 | 28 | 44 | 12 | 67 | 3/8" | 0,95 |
| RFM 025 | 1" | 89 | 90 | 28 | 115 | 9 | 150 | 27 | 28 | 44 | 12 | 67 | 3/8" | 0,95 |
| RFM 030 | 1" | 89 | 90 | 40 | 115 | 9 | 234 | 30 | 28 | 44 | 12 | 67 | 3/8" | 1,2 |
| RFM 040 | 1" | 126 | 131 | 40 | 175 | 10,5 | 248 | 50 | 35 | 56 | 13 | 95 | 1/2" | 2,1 |
| RFM 050 | 1" 1/4" | 126 | 131 | 40 | 175 | 10,5 | 248 | 50 | 35 | 56 | 13 | 95 | 1/2" | 2,1 |
| RFM 055 | 1" 1/4" | 126 | 131 | 40 | 175 | 10,5 | 265 | 30 | 35 | 56 | 13 | 95 | 1/2" | 2,3 |
| RFM 060 | 1" 1/4" | 174 | 180 | 50 | 220 | 10,5 | 178 | 50 | 55 | 69 | 13 | 115 | 1/2" | 3,1 |
| RFM 070 | 1" 1/2" | 174 | 180 | 50 | 220 | 10,5 | 178 | 50 | 55 | 69 | 13 | 115 | 1/2" | 3,1 |
| RFM 080 | 1" 1/2" | 174 | 180 | 50 | 220 | 10,5 | 240 | 50 | 55 | 69 | 13 | 115 | 1/2" | 3,5 |
| RFM 100 | 1" 1/2" | 174 | 180 | 63,5 | 220 | 10,5 | 240 | 50 | 55 | 69 | 13 | 115 | 1/2" | 3,6 |
| RFM 110 | 2" - § | 174 | 180 | 63,5 | 220 | 10,5 | 240 | 50 | 55 | 69 | 13 | 115 | 1/2" | 3,65 |
| RFM 125 | 2" - § | 174 | 180 | 63,5 | 220 | 10,5 | 240 | 50 | 55 | 69 | 13 | 115 | 1/2" | 3,65 |
| RFM 150 | 2" - § | 174 | 180 | 63,5 | 220 | 10,5 | 285 | 50 | 55 | 69 | 13 | 115 | 1/2" | 3,8 |
| RFM 160 | 2" - § | 174 | 180 | 63,5 | 220 | 10,5 | 300 | 50 | 55 | 69 | 13 | 115 | 1/2" | 3,85 |

§ = 2" 1/2. Further information on request.

CLOGGING INDICATORS

| NBR | FKM | Pressure gauge | |
|---|-----|---------------------------|--|
| 32 | - | Scale 0 ÷ 600 kPa (6 bar) |   |
| NBR | FKM | Pressure switch | |
| P1 | - | Setting 150 kPa (1,5 bar) |   |
| SPDT, C.C. 30V: > max resistive or inductive load 3A - 1A respectively C.A. 125 or 250V: > max resistive or inductive load 3A - 0,5A respectively Protection IP65 - Connector DIN 43650 | | | |

FLOW RATES

(l/min)

The reference fluid has a kinematic viscosity of 30 cSt and a density of 0,86 Kg/dm³.
 For different oil viscosity please contact our Sales Department for further information.

| Type | Filter Media | | | | | | | | | | |
|---------|--------------|-----|-----|-----|-----|-----|-----|-----|-----|-----|-----|
| | FT | FC | FD | FV | CD | DR | CV | VR | MV | MS | MN |
| RFM 004 | 5 | 8 | 9 | 10 | 15 | 15 | 17 | 17 | 19 | 20 | 25 |
| RFM 008 | 8 | 12 | 14 | 16 | 20 | 20 | 23 | 23 | 27 | 30 | 35 |
| RFM 009 | 8 | 12 | 14 | 16 | 20 | 20 | 23 | 23 | 27 | 30 | 35 |
| RFM 011 | 20 | 25 | 28 | 32 | 35 | 35 | 40 | 40 | 45 | 50 | 55 |
| RFM 012 | 20 | 25 | 28 | 32 | 35 | 35 | 40 | 40 | 45 | 50 | 55 |
| RFM 015 | 25 | 30 | 32 | 38 | 40 | 40 | 45 | 45 | 50 | 60 | 65 |
| RFM 020 | 35 | 40 | 46 | 54 | 55 | 55 | 60 | 60 | 65 | 80 | 85 |
| RFM 025 | 45 | 50 | 60 | 65 | 65 | 65 | 70 | 70 | 85 | 100 | 110 |
| RFM 030 | 58 | 70 | 70 | 84 | 84 | 84 | 90 | 90 | 110 | 130 | 142 |
| RFM 040 | 70 | 80 | 85 | 95 | 100 | 100 | 105 | 105 | 120 | 150 | 160 |
| RFM 050 | 80 | 95 | 105 | 115 | 120 | 120 | 130 | 130 | 150 | 180 | 185 |
| RFM 055 | 95 | 105 | 120 | 125 | 140 | 140 | 150 | 150 | 170 | 200 | 200 |
| RFM 060 | 85 | 100 | 108 | 122 | 125 | 125 | 135 | 135 | 170 | 240 | 250 |
| RFM 070 | 90 | 110 | 110 | 132 | 150 | 150 | 160 | 160 | 200 | 260 | 270 |
| RFM 080 | 115 | 155 | 170 | 185 | 200 | 200 | 210 | 210 | 250 | 310 | 325 |
| RFM 100 | 120 | 160 | 178 | 192 | 205 | 205 | 215 | 215 | 255 | 315 | 330 |
| RFM 110 | 180 | 210 | 240 | 260 | 300 | 300 | 320 | 320 | 370 | 450 | 465 |
| RFM 125 | 180 | 210 | 240 | 260 | 300 | 300 | 320 | 320 | 370 | 450 | 465 |
| RFM 150 | 195 | 230 | 280 | 290 | 380 | 380 | 410 | 410 | 480 | 560 | 570 |
| RFM 160 | 285 | 320 | 361 | 380 | 450 | 450 | 500 | 500 | 570 | 650 | 670 |

DIRT HOLDING CAPACITY

(g) ISO MTD $\Delta p = 170$ kPa (1,7 bar)

| Type | Filter Media | | | |
|---------|--------------|------|-------|-------|
| | FT | FC | FD | FV |
| RFM 004 | 1,8 | 2,4 | 2,6 | 4,0 |
| RFM 008 | 2,3 | 2,9 | 3,34 | 5,18 |
| RFM 009 | 2,3 | 2,9 | 3,34 | 5,18 |
| RFM 011 | 4,9 | 6,3 | 7,1 | 10,8 |
| RFM 012 | 4,9 | 6,3 | 7,1 | 10,8 |
| RFM 015 | 4,9 | 6,3 | 7,1 | 10,8 |
| RFM 020 | 7,5 | 9,8 | 10,9 | 16,2 |
| RFM 025 | 7,5 | 9,8 | 10,9 | 16,2 |
| RFM 030 | 10,7 | 13,8 | 15,3 | 22,6 |
| RFM 040 | 27,6 | 36,4 | 40,2 | 59,4 |
| RFM 050 | 27,6 | 36,4 | 40,2 | 59,4 |
| RFM 055 | 32,8 | 43,1 | 47,0 | 70,5 |
| RFM 060 | 27,9 | 36,8 | 40,48 | 59,8 |
| RFM 070 | 27,9 | 36,8 | 40,48 | 59,8 |
| RFM 080 | 35,4 | 46,4 | 50,6 | 75,9 |
| RFM 100 | 35,4 | 46,4 | 50,6 | 75,9 |
| RFM 110 | 35,8 | 47,0 | 52,0 | 76,7 |
| RFM 125 | 42,7 | 56,1 | 62,1 | 91,6 |
| RFM 150 | 44,3 | 58,3 | 64,4 | 95,1 |
| RFM 160 | 47,7 | 62,4 | 69,0 | 102,0 |

FILTER AREA

(cm²)

| Type | Filter Media | | | | | | |
|---------|--------------|------|------|------|------|------|------|
| | MV | MS | MN | CD | DR | CV | VR |
| RFM 004 | 205 | 205 | 205 | 345 | 345 | 345 | 345 |
| RFM 008 | 290 | 290 | 290 | 380 | 380 | 380 | 380 |
| RFM 009 | 290 | 290 | 290 | 380 | 380 | 380 | 380 |
| RFM 011 | 460 | 460 | 460 | 990 | 990 | 990 | 990 |
| RFM 012 | 460 | 460 | 460 | 990 | 990 | 990 | 990 |
| RFM 015 | 460 | 460 | 460 | 990 | 990 | 990 | 990 |
| RFM 020 | 712 | 712 | 712 | 1600 | 1600 | 1600 | 1600 |
| RFM 025 | 712 | 712 | 712 | 1600 | 1600 | 1600 | 1600 |
| RFM 030 | 1200 | 1200 | 1200 | 2670 | 2670 | 2670 | 2670 |
| RFM 040 | 1738 | 1738 | 1738 | 4280 | 4280 | 4280 | 4280 |
| RFM 050 | 1738 | 1738 | 1738 | 4280 | 4280 | 4280 | 4280 |
| RFM 055 | 2075 | 2075 | 2075 | 5120 | 5120 | 5120 | 5120 |
| RFM 060 | 2380 | 2055 | 1740 | 4400 | 4400 | 4400 | 4400 |
| RFM 070 | 2380 | 2055 | 1740 | 4400 | 4400 | 4400 | 4400 |
| RFM 080 | 3430 | 2955 | 2485 | 6500 | 6500 | 6500 | 6500 |
| RFM 100 | 3430 | 2955 | 2485 | 6500 | 6500 | 6500 | 6500 |
| RFM 110 | 3800 | 3800 | 3800 | 7050 | 7050 | 7050 | 7050 |
| RFM 125 | 4395 | 3780 | 3160 | 7650 | 7650 | 7650 | 7650 |
| RFM 150 | 4816 | 4075 | 3430 | 8350 | 8350 | 8350 | 8350 |
| RFM 160 | 5070 | 4600 | 4275 | 8800 | 8800 | 8800 | 8800 |

Technical data subject to variations without prior notice. RFM 10/2012