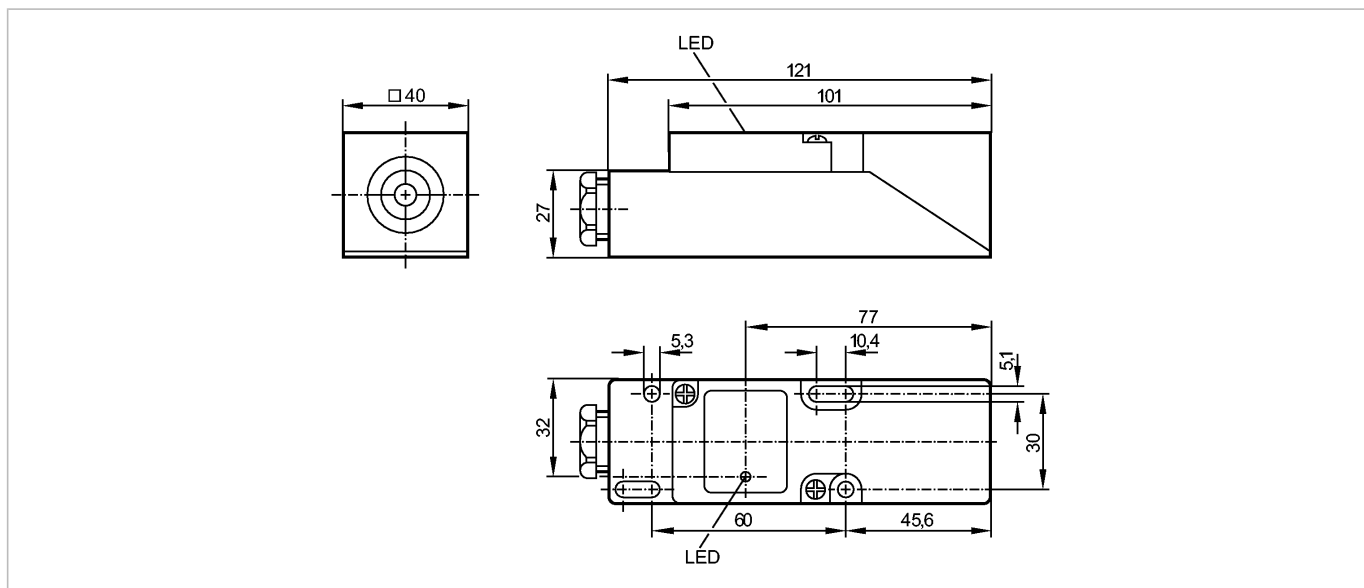


IM0011

IME2015BFBOA

Inductive sensors



Made in Germany



Product characteristics

Inductive sensor
Rectangular, plastics
Terminals
Sensing range 15 mm; [f] flush mountable

Electrical data

Electrical design	AC/DC
Operating voltage [V]	20...250 AC/DC
Protection class	II
Reverse polarity protection	no

Outputs

Output function	normally open / closed programmable
Voltage drop [V]	< 6.5 AC / < 6 DC
Minimum load current [mA]	5
Leakage current [mA]	< 2.5 (250 V AC) / < 1.3 (110 V AC) / < 0.8 (24 V DC)

Current rating

- Current rating (continuous) [mA]	350 AC (...50 °C) / 250 AC (...80 °C) / 100 DC
- Current rating (peak) [mA]	î: 2.2 A (20 ms / 0.5 Hz)
Short-circuit proof	no
Overload protection	no
Switching frequency [Hz]	20 AC / 55 DC

Range

Sensing range [mm]	15
Real sensing range (Sr) [mm]	15 ± 10 %
Operating distance [mm]	0...12.1

Accuracy / deviations

Correction factors	mild steel = 1 / stainless steel approx. 0.7 / brass approx. 0.4 / Al approx. 0.3 / Cu approx. 0.2
Hysteresis [% of Sr]	1...15
Switch-point drift [% of Sr]	-10...10

IM0011

IME2015BFBOA

Inductive sensors

Environment	
Ambient temperature [°C]	-25...80
Protection	IP 65
Tests / approvals	
EMC	EN 60947-5-2 EN 55011: class B
MTTF [Years]	603
Mechanical data	
Mounting	flush mountable
Housing materials	PPE
Weight [kg]	0.188
Displays / operating elements	
Output status indication LED	yellow
Electrical connection	
Connection	terminals up to 2.5 mm ² ; cable diameter 7...13 mm, cable gland M20 x 1.5
Wiring	
<p>Note: miniature fuse to IEC60127-2 sheet 1, ≤ 2 A (fast acting)</p>	
Remarks	
Remarks	<p>Recommendation: check the unit for reliable function after a short circuit. 5 positions of the active zone possible</p>
Pack quantity [piece]	1