

SAFETY LIGHT CURTAINS

JANUS M - MI 2B

Built-in Muting function. Dedicated connections for connecting external Muting sensors of any type. Built-in override function.



Certifications:



Technical data:

Family	JANUS M -
Code	1360660
Safety level (SIL / PL)	Type 4 - SIL 3 - SILCL 3 - PL e - Cat. 4
Height of protected area (mm)	510
Detection	Access control
Overall height transmitter (mm)	736
Number of beams	2
Power supply (VDC)	24 +/- 20%
Max. length of the connection cables (m)	100
Connections	5 poles M12 connector (emitter), 19 poles M23 connector (receiver), 5 poles M12 connector (muting sensors)
Operating Range (m)	6 or 16 selectable
Response time (ms)	7
Safety outputs	2 fail-safe PNP - 500 mA at 24 VDC with protection against short circuit, overload and reverse polarity
Light curtain status and weak signal	PNP - 100 mA at 24 VDC
Muting sensors	with relay or PNP DARK-ON output
Restart	User-selectable automatic or manual
Muting logic	Two-way with 2 or 4 sensors, one-way with 2 sensors
Max. override time-out	15 min
Max. muting time-out	30 sec. or 90 min. selectable - 30 sec. or infinite models with 4 sensors
Muting Function	Built-in
CCF (ISO 13849-1)	80%
MTTFd (ISO 13849-1) years	100
PFHd (IEC 61508)	7,53E-09
Degree of protection	IP 65
Operating temperature (°C)	From -10 to 55
Cross section dimensions (mm)	50 x 60
Overall height (mm)	776
Master Slave Models	no
Protective enclosures	no

Packaging dimensions WxHxL (mm)	195x135x830
Gross weight (Kg)	5,4

Accessories:

[CABLES CD 5](#)
[CABLES CD 10](#)
[CABLES CD 15](#)
[CABLES CD 20](#)
[CABLES CD 25](#)
[CABLES CD 50](#)
[CABLES CDM 9](#)
[CABLES CJBE 3](#)
[CABLES CJBE 5](#)
[CABLES CJBE 10](#)
[CABLES CJBE 25](#)
[CABLES CD 95](#)
[CABLES CJM 9](#)
[CABLES CJ 3](#)
[CABLES CJ 5](#)
[CABLES CJ 10](#)
[CABLES CJ 15](#)
[CABLES CJ 20](#)
[CABLES CJ 20L2](#)
[CABLES CJ 30](#)
[CABLES CJ 30L2](#)
[CABLES CJ 35](#)
[CABLES CJBR 3](#)
[CABLES CJBR 5](#)
[CABLES CJBR 10](#)
[CABLES CJM 23](#)
[FMC B2 FLOOR SUPPORT COLUMN](#)
[FMC S2 COLUMN WITH MIRROR](#)
[FMC SB2 COLUMN WITH ADJUSTABLE MIRRORS](#)
[FMC B2R FLOOR SUPPORT COLUMN](#)
[MJBOX MJB 1 Connection box](#)
[MJBOX MJB 3 Connection box](#)
[LASER ALIGNEMENT LAD 3](#)
[ACCESSORIES BRACKETS SFB 4J](#)
[ACCESSORIES SP 600 S - DEFLECTION MIRROR](#)

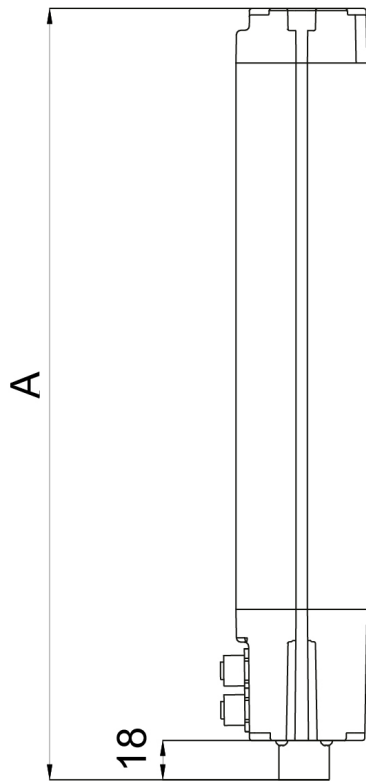
Related products:

[JANUS ACCESSORIES SL](#)
[JANUS ACCESSORIES S2L](#)
[JANUS ACCESSORIES S2L V](#)
[MOSAIC MR2](#)
[Safety relay modules for devices with integrated feedback input for EDM - AD SR0](#)
[Safety relay modules for devices with integrated feedback input for EDM - AD SR0A](#)

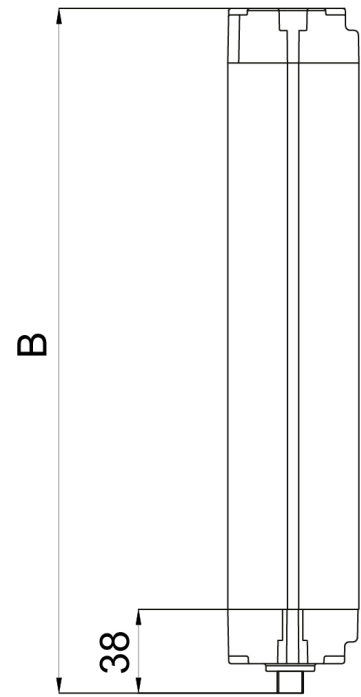
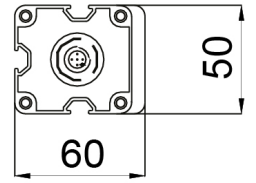
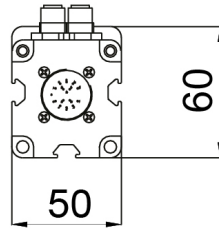
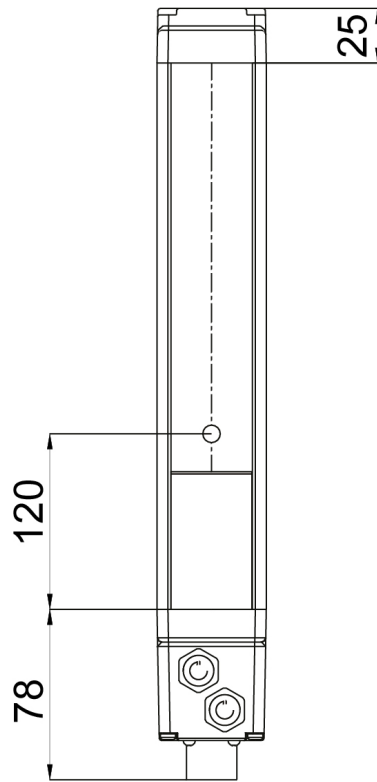
See technical drawing in the next page.

Technical drawing:

B = 736 mm
A = 776 mm



RX



TX