

Models: 781-SS*, 781-SS-WE*

Cast Stainless Steel Flanged & Butt Weld End Y Strainers Sizes: 1/2" - 24" (15 - 600mm)

Pressure / Temperature – Non-Shock		
Model	Material	Rating
781-SS,	Stainless	275psig @ -20°F to 100°F
781-SS-WE	Steel	19.0 barg @ -29°C to 38°C 150psig @ 565°F 10.2 barg @ 300°C

781-SS **Class 150**
781-SS-WE **Class 150**



Model 781-SS



Model 781-SS-WE

*781/781-WE supersede model
 761/761-WE. 761/761-WE still available
 upon request

Typical Service

- Used extensively to strain foreign matter from pipelines and provide economical protection for costly pumps, meters, valves, and other similar mechanical equipment.
- Especially important where weld debris is likely present in the pipeline.
- Well suited for long service in high pressure and temperature applications.

Features

- Machined seats in both body and cap align and lock the screen in place to stop sediment bypass.
- Machined seats facilitate alignment and accurate reseating after servicing.

Construction

- Designed for Class 150 specifications.
- Heavy gauge reinforced screens are used.

IMPORTANT NOTE: Model 781-SS-WE ends are machined to match Schedule 40 pipe. Other connections are available, consult factory.

Self-Cleaning

- Self-cleaning is accomplished by opening the plug or valve connected to the blowoff outlet.

Blowoff Outlets

- Blowoff outlets are NPT tapped at location C. See next page for NPT sizes.
- Blind covers are available, consult factory.

Capacity

- Generously proportioned bodies.
- Open Area Ratio much greater than pipe size, ensuring low pressure drop.

Screens

MODEL	SIZES	STANDARD (WATER)		STEAM RECOMENDATION	
		MATERIAL	OPENING	MATERIAL	OPENING
All	1/2" - 4"	304SS	.062 perf	304SS	.033 perf
All	5" and Up	304SS	.125 perf	304SS	.062 perf

Job Name _____
 Job Location _____
 Engineer _____
 Approval _____

Contractor _____
 Approval _____
 Contractor's P.O. No. _____
 Representative _____

Material

	764-WE, 765M-WE, 766M-WE, 767-WE
Body	Stainless Steel, ASTM A351 Grade CF8M
Cover	Stainless Steel, ASTM A351 Grade CF8M
Gasket	316 Graphite

*Cover may be manufactured from equivalent plate grade material.

ALSO AVAILABLE:

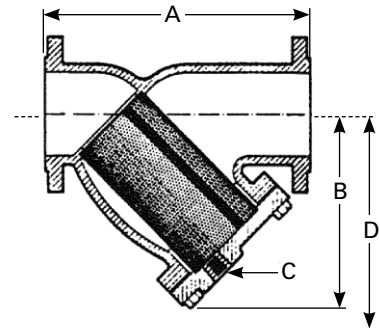
Body/Cap: Alloy 20 (ASTM A351 Gr.CN7M)
 Hastelloy C
 Monel (Ni-Cu)

Pressure Drop

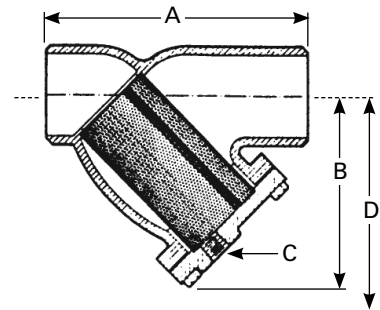
See Pressure Drop Charts in Technical Data Section of the Mueller Steam Specialty Engineering binder.

Dimensions and Weights

SIZE		DIMENSIONS						WEIGHT		
		A		B		C		D		
in.	mm	in.	mm	in.	mm	in.	mm	Screen Removal		
								in.	mm	
781-SS										
1/2	15	5 7/8	149	3 1/2	89	3/8	10	5	130	5.5 2.5
3/4	20	7 3/8	187	3 3/4	95	1/2	15	5	130	10.25 4.6
1	25	7 3/8	187	3 3/4	95	1/2	15	5	130	10.25 4.6
1 1/4	32	7	178	4 3/4	121	1/2	15	7	178	9.75 4.4
1 1/2	40	7	181	4 3/4	121	1/2	15	7	178	12.5 5.6
2	50	7 7/8	200	5 1/4	133	1/2	15	7	178	18 8.1
2 1/2	65	9 3/4	248	6 1/2	165	1	25	9 3/4	248	28 12.7
3	80	10 1/16	256	7	178	1	25	10	254	34 15
4	100	12 1/8	308	8 3/4	210	1 1/2	40	12	305	55 25
5	125	15 5/8	397	11 1/4	286	2	50	20	508	90 40
6	150	18 1/2	470	13 1/2	343	2	50	20	508	153 69
8	200	21 3/8	543	15 1/2	394	2	50	22 3/4	578	220 100
10	250	26	660	18 1/2	470	2	50	28	711	320 145
12	300	29 7/8	759	22 1/4	565	2	50	30	762	550 250
14	350	36	914	25	635	2	50	36 1/2	927	975 442
16	400	41 1/8	1056	26 1/2	673	2	50	42	1067	1635 741
18	450	46	1168	34 7/8	886	2	50	50 7/8	1292	2376 1078
20	500	49 1/2	1257	39	991	2	50	55 3/8	1407	2675 1213
24	600	58 3/8	1483	44 1/8	1122	2	50	67 1/4	1708	4880 2213
781-SS-WE										
1/2	15	6 5/8	168	3 1/2	89	3/8	10	5	130	3 1.3
3/4	20	8 1/16	211	3 3/4	95	1/2	15	5	130	9 4
1	25	8 1/16	211	3 3/4	95	1/2	15	5	130	9 4
1 1/4	32	10 1/8	257	5 1/4	133	1/2	15	7	178	12 5.4
1 1/2	40	10 1/4	260	5 1/4	133	1/2	15	7	178	13 5.9
2	50	10 1/4	260	5 1/4	133	1/2	15	7	178	13 5.9
2 1/2	65	10 5/8	269	6 1/2	165	1	25	9 3/4	248	14 6.3
3	80	12	305	7	178	1	25	10	254	20 9
4	100	14 1/2	368	8 3/4	210	1 1/2	40	12	305	40 18
5	125	19 9/16	491	13 1/2	343	2	50	20	508	90 40
6	150	19 9/16	491	13 1/2	343	2	50	20	508	90 40
8	200	23 3/8	594	15 3/4	400	2	50	22 3/4	578	168 76
10	250	27 3/8	695	19	483	2	50	28	711	250 113
12	300	32	813	22 1/4	565	2	50	30	762	440 200
14	350	36	914	25	635	2	50	36 1/2	927	815 370
16	400	41 1/16	1056	26 1/2	673	2	50	42	1067	1433 650
18	450	46	1168	34 7/8	886	2	50	50 7/8	1292	2152 976
20	500	49 1/2	1257	39	991	2	50	55 3/8	1407	2393 1085
24	600	58 3/8	1483	44 1/8	1122	2	50	67 1/4	1708	4486 2034



Model 781-SS



Model 781-SS-WE

Mueller Steam Specialty product specifications in U.S. customary units and metric are approximate and are provided for reference only. For precise measurements, please contact Mueller Steam Specialty Technical Service. Mueller Steam Specialty reserves the right to change or modify product design, construction, specifications, or materials without prior notice and without incurring any obligation to make such changes and modifications on Mueller Steam Specialty products previously or subsequently sold.



A Watts Water Technologies Company

USA: Tel: (800) 334-6259 • Fax: (800) 421-6772 • MuellerSteam.com

Latin America: Tel: (52) 81-1001-8600 • Fax: (52) 81-8000-7091 • MuellerSteam.com