

Directional valves ▶ Electrically operated

Series 579







Brochure





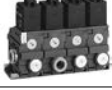




Directional valves ▶ Electrically operated

Series 579

Single valves

	<p>3/2-directional valve, Series 579</p> <ul style="list-style-type: none"> ▶ Qn = 50 l/min ▶ NC ▶ pipe connection ▶ Compressed air connection output: Ø6x1 ▶ Electr. connection: Plug, ISO 15217, form C ▶ single valve ▶ Manual override: with detent 	5
	<p>3/2-directional valve, Series 579</p> <ul style="list-style-type: none"> ▶ Qn = 520 - 600 l/min ▶ NO ▶ pipe connection ▶ Compressed air connection output: Ø6x1 - Ø 8x1 ▶ Electr. connection: Plug, ISO 15217, form C ▶ single valve ▶ Manual override: with detent ▶ Pilot: internal 	7
	<p>3/2-directional valve, Series 579</p> <ul style="list-style-type: none"> ▶ external ▶ Qn = 520 - 600 l/min ▶ NO ▶ pipe connection ▶ Compressed air connection output: Ø6x1 - Ø 8x1 ▶ Electr. connection: Plug, ISO 15217, form C ▶ single valve ▶ Pilot: external 	10
	<p>3/2-directional valve, Series 579</p> <ul style="list-style-type: none"> ▶ Qn = 520 - 850 l/min ▶ NC ▶ pipe connection ▶ Compressed air connection output: Ø6x1 - Ø 8x1 ▶ Electr. connection: Plug, ISO 15217, form C ▶ single valve ▶ Manual override: with detent ▶ Pilot: internal 	13
	<p>3/2-directional valve, Series 579</p> <ul style="list-style-type: none"> ▶ external ▶ Qn = 520 - 850 l/min ▶ NC ▶ pipe connection ▶ Compressed air connection output: Ø6x1 - Ø 8x1 ▶ Electr. connection: Plug, ISO 15217, form C ▶ single valve ▶ Pilot: external 	16
	<p>5/2-directional valve, Series 579</p> <ul style="list-style-type: none"> ▶ Qn = 520 - 600 l/min ▶ pipe connection ▶ Compressed air connection output: Ø6x1 - Ø 8x1 ▶ Electr. connection: Plug, ISO 15217, form C ▶ single valve ▶ Manual override: with detent ▶ Pilot: internal 	19





Stackable valves for valve systems

	<p>3/2-directional valve, Series 579</p> <ul style="list-style-type: none"> ▶ Qn = 50 l/min ▶ NC ▶ pipe connection ▶ Compressed air connection output: Ø6x1 ▶ Electr. connection: Plug, ISO 15217, form C ▶ Can be assembled into blocks ▶ Manual override: with detent 	22
	<p>3/2-directional valve, Series 579</p> <ul style="list-style-type: none"> ▶ Qn = 520 l/min ▶ NC ▶ pipe connection ▶ Compressed air connection output: Ø6x1 ▶ Electr. connection: Plug, ISO 15217, form C ▶ Can be assembled into blocks ▶ Manual override: with detent ▶ Pilot: internal 	25
	<p>3/2-directional valve, Series 579</p> <ul style="list-style-type: none"> ▶ Qn = 520 l/min ▶ NO ▶ pipe connection ▶ Compressed air connection output: Ø6x1 ▶ Electr. connection: Plug, ISO 15217, form C ▶ Can be assembled into blocks ▶ Manual override: with detent ▶ Pilot: internal 	29
	<p>3/2-directional valve, Series 579</p> <ul style="list-style-type: none"> ▶ external ▶ Qn = 520 l/min ▶ NC ▶ pipe connection ▶ Compressed air connection output: Ø6x1 ▶ Electr. connection: Plug, ISO 15217, form C ▶ Can be assembled into blocks ▶ Pilot: external 	33
	<p>3/2-directional valve, Series 579</p> <ul style="list-style-type: none"> ▶ external ▶ Qn = 520 l/min ▶ NO ▶ pipe connection ▶ Compressed air connection output: Ø6x1 ▶ Electr. connection: Plug, ISO 15217, form C ▶ Can be assembled into blocks ▶ Pilot: external 	37
	<p>3/2-directional valve, Series 579</p> <ul style="list-style-type: none"> ▶ Qn = 600 l/min ▶ NO ▶ pipe connection ▶ Compressed air connection output: Ø 8x1 ▶ Electr. connection: Plug, ISO 15217, form C ▶ Can be assembled into blocks ▶ Manual override: with detent ▶ Pilot: internal 	41
	<p>3/2-directional valve, Series 579</p> <ul style="list-style-type: none"> ▶ external ▶ Qn = 600 l/min ▶ NO ▶ pipe connection ▶ Compressed air connection output: Ø 8x1 ▶ Electr. connection: Plug, ISO 15217, form C ▶ Can be assembled into blocks ▶ Pilot: external 	45

Part numbers marked in bold are available from the central warehouse in Germany, see the shopping basket for more detailed information

Pneumatics catalog, online PDF, as of 2017-01-09, ©AVENTICS S.à r.l., subject to change



Directional valves ▶ Electrically operated
Series 579

	3/2-directional valve, Series 579 ▶ Qn = 850 l/min ▶ NC ▶ pipe connection ▶ Compressed air connection output: Ø 8x1 ▶ Electr. connection: Plug, ISO 15217, form C ▶ Can be assembled into blocks ▶ Manual override: with detent ▶ Pilot: internal	49
	3/2-directional valve, Series 579 ▶ external ▶ Qn = 850 l/min ▶ NC ▶ pipe connection ▶ Compressed air connection output: Ø 8x1 ▶ Electr. connection: Plug, ISO 15217, form C ▶ Can be assembled into blocks ▶ Pilot: external	53
	5/2-directional valve, Series 579 ▶ Qn = 520 l/min ▶ pipe connection ▶ Compressed air connection output: Ø6x1 ▶ Electr. connection: Plug, ISO 15217, form C ▶ Can be assembled into blocks ▶ Manual override: with detent ▶ Pilot: internal	57
	5/2-directional valve, Series 579 ▶ Qn = 600 l/min ▶ NC ▶ pipe connection ▶ Compressed air connection output: Ø 8x1 ▶ Electr. connection: Plug, ISO 15217, form C ▶ Can be assembled into blocks ▶ Manual override: with detent ▶ Pilot: internal	61

Accessories

	Electrical connector, Series CN1 ▶ 8 mm ▶ ISO 15217 ▶ form C	65
	Connector with cable, Series CN1 ▶ form C ▶ 8 mm	67
	Contact bridge ▶ Control: plug M12 ▶ Plug, M12x1, 4-pin ▶ Number of solenoid coils: 1	69
	Contact bridge ▶ Control: Multipole ▶ Plug, Snap Ø8, 3-pin ▶ Number of solenoid coils: 1	70
	Silencers, Series SI1 ▶ Sintered bronze	71
	Silencers, Series SI1	71
	Collected exhaust, Series SI1	72
	Silencers, Series SI1 ▶ Sintered bronze	73
	Threaded pins	73

Directional valves ▶ Electrically operated
Series 579

	Name plates	74
	Air connection module	74

Directional valves ▶ Electrically operated

3/2-directional valve, Series 579

▶ Qn = 50 l/min ▶ NC ▶ pipe connection ▶ Compressed air connection output: Ø6x1 ▶ Electr. connection: Plug, ISO 15217, form C ▶ single valve ▶ Manual override: with detent



P579_400

Version	Poppet valve
Sealing principle	Soft sealing
Working pressure min./max.	0 bar / 7 bar
Ambient temperature min./max.	-15 °C / +50 °C
Medium temperature min./max.	-15 °C / +50 °C
Medium	Compressed air
Max. particle size	5 µm
Oil content of compressed air	0 mg/m³ - 1 mg/m³
Nominal flow Qn	50 l/min
Protection class with connection	IP65
	Protected against polarity reversal
Duty cycle	100 %
Typ. switch-on time	20 ms
Typ. switch-off time	23 ms
Weight	0.079 kg
Materials:	
Housing	Polyamide
Seals	Acrylonitrile butadiene rubber

Technical Remarks

- The min. control pressure must be adhered to, since otherwise faulty switching and valve failure may result!
- The pressure dew point must be at least 15 °C under ambient and medium temperature and may not exceed 3 °C.
- The oil content of compressed air must remain constant during the life cycle.
- Use only the approved oils from AVENTICS, see chapter „Technical information“.
- Versions with voltage of less than 50 V DC do not have a protective ground.

Operational voltage			LED	Voltage tolerance		Power consumption	Switch-on power		Holding power	
DC	AC 50 Hz	AC 60 Hz		DC	AC 60 Hz	DC	AC 50 Hz	AC 60 Hz	AC 50 Hz	AC 60 Hz
						W	VA	VA	VA	VA
12 V	-	-	-	-10% / +10%	-	2	-	-	-	-
24 V	-	-	-	-10% / +10%	-	2	-	-	-	-
24 V	-	-	Red	-10% / +10%	-	2.1	-	-	-	-
-	24 V	24 V	-	-	-10% / +15%	-	4.2	4.2	3.1	3.1
-	110 V	110 V	-	-	-10% / +15%	-	4.2	4.2	3	3
-	230 V	230 V	-	-	-10% / +15%	-	4.4	4.4	3.1	3.1

	MO	Compressed air connection		Operational voltage			Power consumption	Holding power	Holding power	Switch-on power	Switch-on power	Part No.
		Input	Output	DC	AC 50 Hz	AC 60 Hz						
				DC	AC 50 Hz	AC 60 Hz						
							[W]	[VA]	[VA]	[VA]	[VA]	
	NC	Ø6x1	Ø6x1	12 V	-	-	2	-	-	-	-	5794000210
				24 V	-	-	2	-	-	-	-	5794000220
				24 V	-	-	2.1	-	-	-	-	5794000620
				-	24 V	24 V	-	3.1	3.1	4.2	4.2	5794005220
				-	110 V	110 V	-	3	3	4.2	4.2	5794005270
				-	230 V	230 V	-	3.1	3.1	4.4	4.4	5794005280

Part numbers marked in bold are available from the central warehouse in Germany, see the shopping basket for more detailed information

Pneumatics catalog, online PDF, as of 2017-01-09, ©AVENTICS S.à r.l., subject to change

Directional valves ▶ Electrically operated

3/2-directional valve, Series 579

▶ $Q_n = 50 \text{ l/min}$ ▶ NC ▶ pipe connection ▶ Compressed air connection output: $\text{Ø}6 \times 1$ ▶ Electr. connection: Plug, ISO 15217, form C ▶ single valve ▶ Manual override: with detent

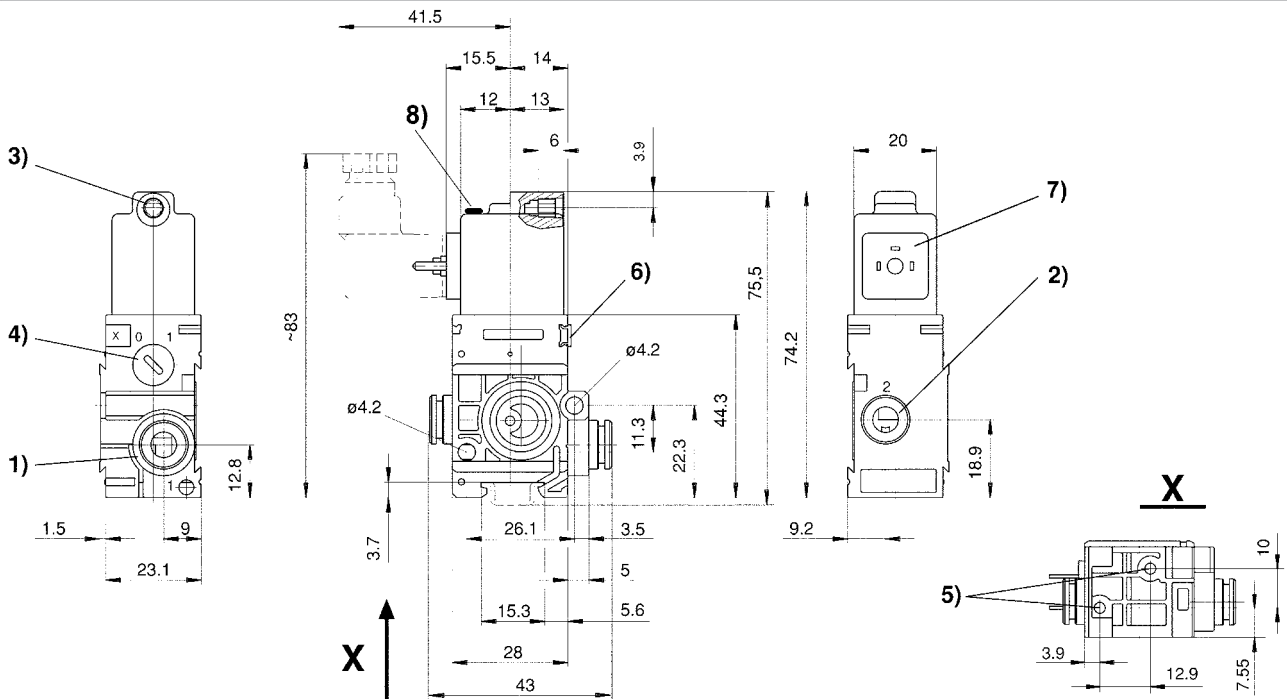
Part No.	LED	Note
5794000210	-	-
5794000220	-	-
5794000620	Red	1)
5794005220	-	-
5794005270	-	-
5794005280	-	-

MO = Manual override

1) with LED and protective diode for reducing voltage peaks in the solenoid coil

Nominal flow Q_n at 6 bar and $\Delta p = 1 \text{ bar}$

Dimensions



D579_400

- 1) Port 1
- 2) Port 2
- 3) Port 3, core Ø for M5
- 4) Manual override
- 5) Pocket hole 6 mm deep for 3.5 self-tapping screw
- 6) Mounting space for name plate
- 7) Coil can be rotated at 180° intervals
- 8) LED

Directional valves ▶ Electrically operated

3/2-directional valve, Series 579

▶ Qn = 520 - 600 l/min ▶ NO ▶ pipe connection ▶ Compressed air connection output: Ø6x1 - Ø 8x1 ▶ Electr. connection: Plug, ISO 15217, form C ▶ single valve ▶ Manual override: with detent ▶ Pilot: internal



P579_460

Version	Poppet valve
Sealing principle	Soft sealing
Working pressure min./max.	2 bar / 8 bar
Ambient temperature min./max.	-15°C / +50°C
Medium temperature min./max.	-15°C / +50°C
Medium	Compressed air
Max. particle size	5 µm
Oil content of compressed air	0 mg/m³ - 1 mg/m³
Nominal flow Qn	See table below
Protection class with connection	IP65
	Protected against polarity reversal
Duty cycle	100 %
Typ. switch-on time	18 ms
Typ. switch-off time	16 ms
Weight	0.093 kg
Materials:	
Housing	Polyamide
Seals	Acrylonitrile butadiene rubber; Polyurethane

Technical Remarks

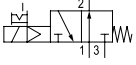
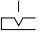
- The min. control pressure must be adhered to, since otherwise faulty switching and valve failure may result!
- The pressure dew point must be at least 15 °C under ambient and medium temperature and may not exceed 3 °C.
- The oil content of compressed air must remain constant during the life cycle.
- Use only the approved oils from AVENTICS, see chapter „Technical information“.
- At an ambient temperature of 40 °C the max. working pressure is 10 bar.
- Versions with voltage of less than 50 V DC do not have a protective ground.

Operational voltage			LED	Voltage tolerance		Power consumption	Switch-on power		Holding power	
DC	AC 50 Hz	AC 60 Hz		DC	AC 60 Hz		AC 50 Hz	AC 60 Hz	AC 50 Hz	AC 60 Hz
						W	VA	VA	VA	VA
12 V	-	-	-	-10% / +10%	-	1.6	-	-	-	-
24 V	-	-	-	-10% / +10%	-	1.6	-	-	-	-
24 V	-	-	Red	-10% / +10%	-	1.7	-	-	-	-
-	24 V	24 V	-	-	-10% / +15%	-	3	2.6	2.2	1.8
-	110 V	110 V	-	-	-10% / +15%	-	4.2	3.4	3	2.4
-	230 V	230 V	-	-	-10% / +15%	-	3.2	2.8	2.3	2
-	230 V	230 V	Red	-	-10% / +15%	-	3.4	3	2.5	2.2

Directional valves ► Electrically operated

3/2-directional valve, Series 579

► Qn = 520 - 600 l/min ► NO ► pipe connection ► Compressed air connection output: Ø6x1 - Ø 8x1 ► Electr. connection: Plug, ISO 15217, form C ► single valve ► Manual override: with detent ► Pilot: internal

	MO	Compressed air connection		Operational voltage			Power consumption	Hold-ing power	Hold-ing power	Switch-on power	Switch-on power	Part No.		
				DC	AC 50 Hz	AC 60 Hz								
		Input	Output	DC	AC 50 Hz	AC 60 Hz	[W]	[VA]	[VA]	[VA]	[VA]			
	NO		Ø6x1	Ø6x1	12 V	-	-	1.6	-	-	-	-	5794410210	
			Ø6x1	Ø6x1	24 V	-	-	1.6	-	-	-	-	-	5794410220
			Ø6x1	Ø6x1	24 V	-	-	1.7	-	-	-	-	-	5794410620
			Ø6x1	Ø6x1	-	24 V	24 V	-	2.2	1.8	3	2.6	-	5794415220
			Ø6x1	Ø6x1	-	110 V	110 V	-	3	2.4	4.2	3.4	-	5794415270
			Ø6x1	Ø6x1	-	230 V	230 V	-	2.3	2	3.2	2.8	-	5794415280
			Ø6x1	Ø6x1	-	230 V	230 V	-	2.5	2.2	3.4	3	-	5794415680
			Ø 8x1	Ø 8x1	12 V	-	-	1.6	-	-	-	-	-	5794610210
			Ø 8x1	Ø 8x1	24 V	-	-	1.6	-	-	-	-	-	5794610220
			Ø 8x1	Ø 8x1	24 V	-	-	1.7	-	-	-	-	-	5794610620
			Ø 8x1	Ø 8x1	-	24 V	24 V	-	2.2	1.8	3	2.6	-	5794615220
			Ø 8x1	Ø 8x1	-	110 V	110 V	-	3	2.4	4.2	3.4	-	5794615270
			Ø 8x1	Ø 8x1	-	230 V	230 V	-	2.3	2	3.2	2.8	-	5794615280
			Ø 8x1	Ø 8x1	-	230 V	230 V	-	2.5	2.2	3.4	3	-	5794615680

Part No.	Qn	LED	Note
	[l/min]		
5794410210	520	-	-
5794410220	520	-	-
5794410620	520	Red	1)
5794415220	520	-	-
5794415270	520	-	-
5794415280	520	-	-
5794415680	520	Red	-
5794610210	600	-	-
5794610220	600	-	-
5794610620	600	Red	1)
5794615220	600	-	-
5794615270	600	-	-
5794615280	600	-	-
5794615680	600	Red	-

MO = Manual override

1) With LED and protective diode for reducing voltage peaks in the solenoid coil, protected against polarity reversal

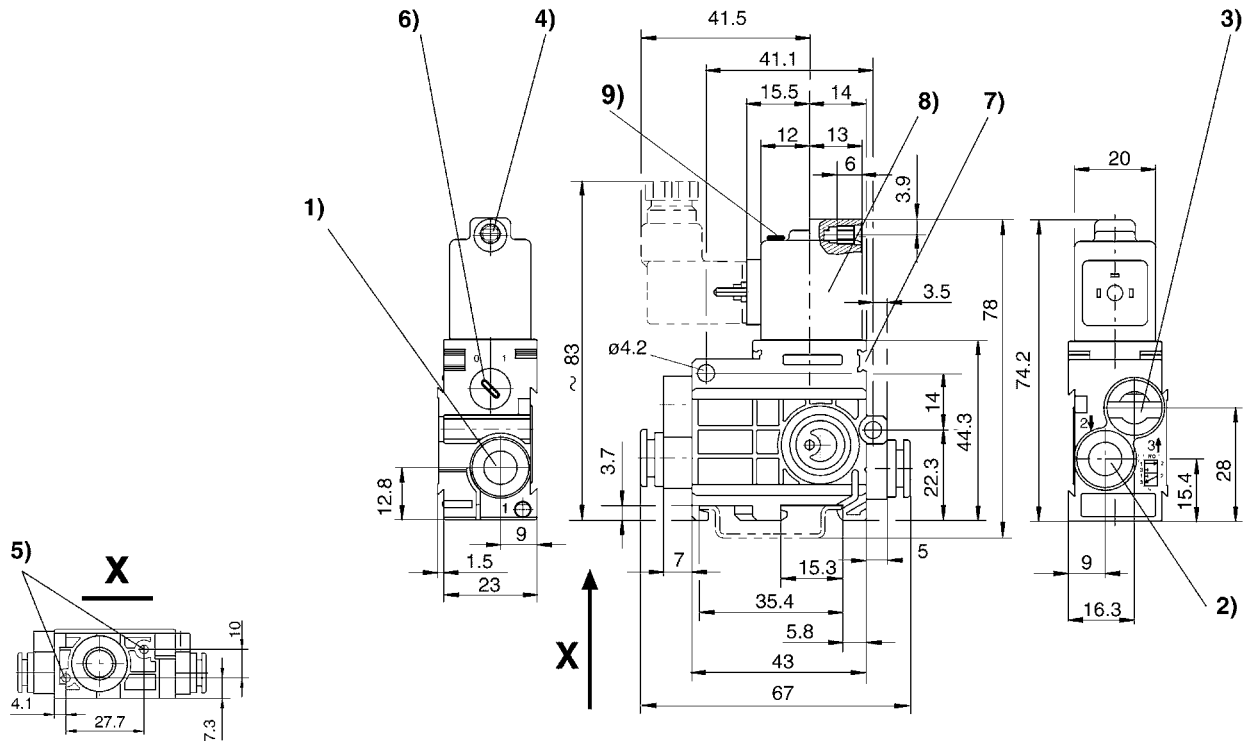
Nominal flow Qn at 6 bar and Δp = 1 bar

Directional valves ▶ Electrically operated

3/2-directional valve, Series 579

▶ Qn = 520 - 600 l/min ▶ NO ▶ pipe connection ▶ Compressed air connection output: Ø6x1 - Ø 8x1 ▶ Electr. connection: Plug, ISO 15217, form C ▶ single valve ▶ Manual override: with detent ▶ Pilot: internal

Dimensions



D579_460

- 1) Port 1
- 2) Port 2
- 3) Port 3, exhaust air must not be throttled
- 4) Core Ø for M5
- 5) Pocket hole 6 mm deep for 3.5 self-tapping screw
- 6) Manual override
- 7) Mounting space for name plate
- 8) Coil can be rotated at 180° intervals
- 9) LED

3/2-directional valve, Series 579

▶ external ▶ Qn = 520 - 600 l/min ▶ NO ▶ pipe connection ▶ Compressed air connection output: Ø6x1 - Ø 8x1
 ▶ Electr. connection: Plug, ISO 15217, form C ▶ single valve ▶ Pilot: external



1003-031

Version	Poppet valve
Sealing principle	Soft sealing
Working pressure min./max.	0.5 bar / 8 bar
Control pressure min./max.	2 bar / 8 bar
Ambient temperature min./max.	-15 °C / +50 °C
Medium temperature min./max.	-15 °C / +50 °C
Medium	Compressed air
Max. particle size	5 µm
Oil content of compressed air	0 mg/m ³ - 1 mg/m ³
Nominal flow Qn	See table below
Protection class with connection	IP65
	Protected against polarity reversal
Duty cycle	100 %
Typ. switch-on time	18 ms
Typ. switch-off time	16 ms
Weight	0.093 kg
Materials:	
Housing	Polyamide
Seals	Acrylonitrile butadiene rubber; Polyurethane

Technical Remarks

- The min. control pressure must be adhered to, since otherwise faulty switching and valve failure may result!
- The pressure dew point must be at least 15 °C under ambient and medium temperature and may not exceed 3 °C.
- The oil content of compressed air must remain constant during the life cycle.
- Use only the approved oils from AVENTICS, see chapter „Technical information“.
- At an ambient temperature of 40 °C the max. working pressure is 10 bar.
- Versions with voltage of less than 50 V DC do not have a protective ground.
- The control pressure must be at least as high as the working pressure.

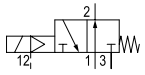
Operational voltage			LED	Voltage tolerance		Power consumption	Switch-on power		Holding power	
DC	AC 50 Hz	AC 60 Hz		DC	AC 60 Hz		DC	AC 50 Hz	AC 60 Hz	AC 50 Hz
						W	VA	VA	VA	VA
12 V	-	-	-	-10% / +10%	-	1.6	-	-	-	-
24 V	-	-	-	-10% / +10%	-	1.6	-	-	-	-
24 V	-	-	Red	-10% / +10%	-	1.7	-	-	-	-
-	24 V	24 V	-	-	-10% / +15%	-	3	2.6	2.2	1.8
-	110 V	110 V	-	-	-10% / +15%	-	4.2	3.4	3	2.4
-	230 V	230 V	-	-	-10% / +15%	-	3.2	2.8	2.3	2
-	230 V	230 V	Red	-	-10% / +15%	-	3.4	3	2.5	2.2

Directional valves ▶ Electrically operated

3/2-directional valve, Series 579

▶ external ▶ Qn = 520 - 600 l/min ▶ NO ▶ pipe connection ▶ Compressed air connection output: Ø6x1 - Ø 8x1

▶ Electr. connection: Plug, ISO 15217, form C ▶ single valve ▶ Pilot: external

		Compressed air connection			Operational voltage			Power consumption	Holding power	Holding power	Switch-on power	Part No.
		Input	Output	Pilot connection	DC	AC 50 Hz	AC 60 Hz	DC	AC 50 Hz	AC 60 Hz	AC 50 Hz	
								[W]	[VA]	[VA]	[VA]	
	NO	Ø6x1	Ø6x1	Ø 4	12 V	-	-	1.6	-	-	-	5794420210
		Ø6x1	Ø6x1		24 V	-	-	1.6	-	-	-	5794420220
		Ø6x1	Ø6x1		24 V	-	-	1.7	-	-	-	5794420620
		Ø6x1	Ø6x1		-	24 V	24 V	-	2.2	1.8	3	5794425220
		Ø6x1	Ø6x1		-	110 V	110 V	-	3	2.4	4.2	5794425270
		Ø6x1	Ø6x1		-	230 V	230 V	-	2.3	2	3.2	5794425280
		Ø6x1	Ø6x1		-	230 V	230 V	-	2.5	2.2	3.4	5794425680
		Ø 8x1	Ø 8x1		12 V	-	-	1.6	-	-	-	5794620210
		Ø 8x1	Ø 8x1		24 V	-	-	1.6	-	-	-	5794620220
		Ø 8x1	Ø 8x1		24 V	-	-	1.7	-	-	-	5794620620
		Ø 8x1	Ø 8x1		-	24 V	24 V	-	2.2	1.8	3	5794625220
		Ø 8x1	Ø 8x1		-	110 V	110 V	-	3	2.4	4.2	5794625270
		Ø 8x1	Ø 8x1		-	230 V	230 V	-	2.3	2	3.2	5794625280
		Ø 8x1	Ø 8x1		-	230 V	230 V	-	2.5	2.2	3.4	5794625680

Part No.	Switch-on power	Qn	LED	Note
	AC 60 Hz			
	[VA]	[l/min]		
5794420210	-	520	-	-
5794420220	-	520	-	-
5794420620	-	520	Red	1)
5794425220	2.6	520	-	-
5794425270	3.4	520	-	-
5794425280	2.8	520	-	-
5794425680	3	520	Red	-
5794620210	-	600	-	-
5794620220	-	600	-	-
5794620620	-	600	Red	1)
5794625220	2.6	600	-	-
5794625270	3.4	600	-	-
5794625280	2.8	600	-	-
5794625680	3	600	Red	-

MO = Manual override

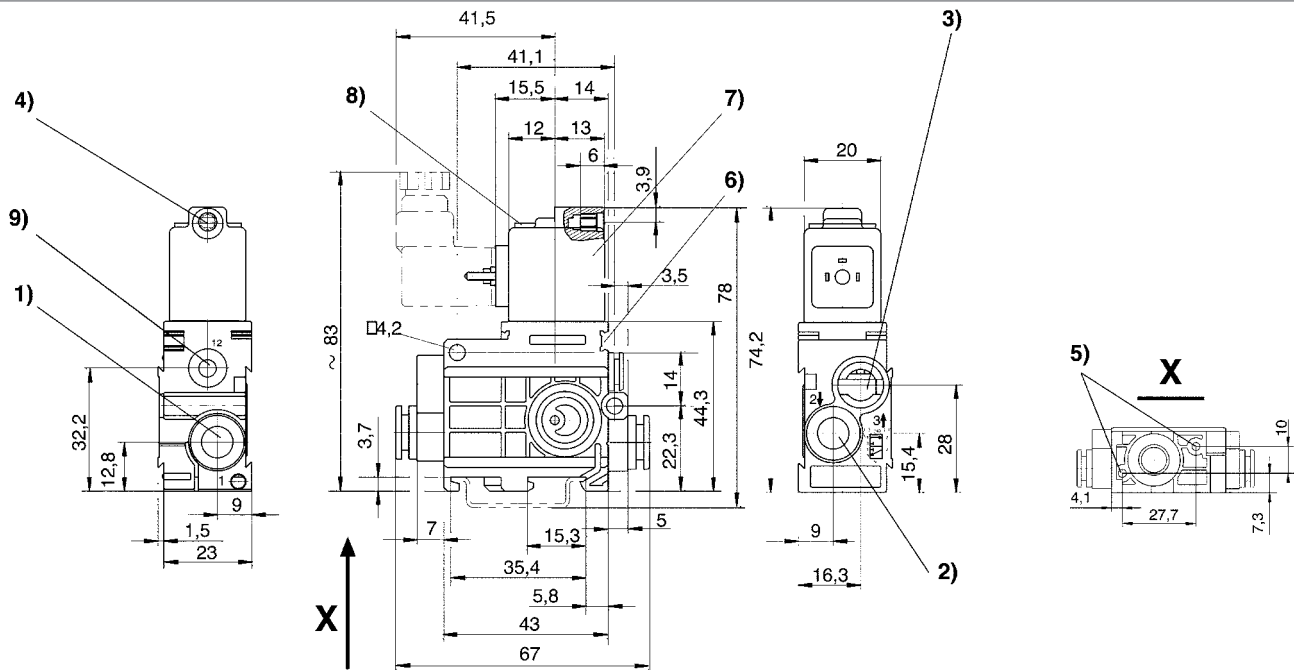
1) With LED and protective diode for reducing voltage peaks in the solenoid coil, protected against polarity reversal

Nominal flow Qn at 6 bar and Δp = 1 bar

3/2-directional valve, Series 579

- ▶ external ▶ Qn = 520 - 600 l/min ▶ NO ▶ pipe connection ▶ Compressed air connection output: Ø6x1 - Ø 8x1
- ▶ Electr. connection: Plug, ISO 15217, form C ▶ single valve ▶ Pilot: external

Dimensions



- 1) Port 1
- 2) Port 2
- 3) Port 3, exhaust air must not be throttled
- 4) Core Ø for M5
- 5) Pocket hole 6 mm deep for 3.5 self-tapping screw
- 6) Mounting space for name plate
- 7) Coil can be rotated at 180° intervals
- 8) LED
- 9) Port 12

D579_467

Directional valves ▶ Electrically operated

3/2-directional valve, Series 579

▶ Qn = 520 - 850 l/min ▶ NC ▶ pipe connection ▶ Compressed air connection output: Ø6x1 - Ø 8x1 ▶ Electr. connection: Plug, ISO 15217, form C ▶ single valve ▶ Manual override: with detent ▶ Pilot: internal



P579_460

Version	Poppet valve
Sealing principle	Soft sealing
Working pressure min./max.	2 bar / 8 bar
Ambient temperature min./max.	-15 °C / +50 °C
Medium temperature min./max.	-15 °C / +50 °C
Medium	Compressed air
Max. particle size	5 µm
Oil content of compressed air	0 mg/m³ - 1 mg/m³
Nominal flow Qn	See table below
Protection class with connection	IP65
	Protected against polarity reversal
Duty cycle	100 %
Typ. switch-on time	18 ms
Typ. switch-off time	16 ms
Weight	0.093 kg
Materials:	
Housing	Polyamide
Seals	Acrylonitrile butadiene rubber; Polyurethane

Technical Remarks

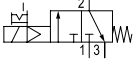
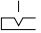
- The min. control pressure must be adhered to, since otherwise faulty switching and valve failure may result!
- The pressure dew point must be at least 15 °C under ambient and medium temperature and may not exceed 3 °C.
- The oil content of compressed air must remain constant during the life cycle.
- Use only the approved oils from AVENTICS, see chapter „Technical information“.
- At an ambient temperature of 40 °C the max. working pressure is 10 bar.
- Versions with voltage of less than 50 V DC do not have a protective ground.

Operational voltage			LED	Voltage tolerance		Power consumption	Switch-on power		Holding power	
DC	AC 50 Hz	AC 60 Hz		DC	AC 60 Hz		AC 50 Hz	AC 60 Hz	AC 50 Hz	AC 60 Hz
						W	VA	VA	VA	VA
12 V	-	-	-	-10% / +10%	-	1.6	-	-	-	-
24 V	-	-	-	-10% / +10%	-	1.6	-	-	-	-
24 V	-	-	Red	-10% / +10%	-	1.7	-	-	-	-
-	24 V	24 V	-	-10% / +15%	-	-	3	2.6	2.2	1.8
-	110 V	110 V	-	-10% / +15%	-	-	4.2	3.4	3	2.4
-	230 V	230 V	-	-10% / +15%	-	-	3.2	2.8	2.3	2
-	230 V	230 V	Red	-10% / +15%	-	-	3.4	3	2.5	2.2

Directional valves ► Electrically operated

3/2-directional valve, Series 579

► Qn = 520 - 850 l/min ► NC ► pipe connection ► Compressed air connection output: Ø6x1 - Ø 8x1 ► Electr. connection: Plug, ISO 15217, form C ► single valve ► Manual override: with detent ► Pilot: internal

	MO	Compressed air connection		Operational voltage			Power consumption	Hold-ing power	Hold-ing power	Switch-on power	Switch-on power	Part No.		
		Input	Output	DC	AC 50 Hz	AC 60 Hz	DC	AC 50 Hz	AC 60 Hz	AC 50 Hz	AC 60 Hz			
							[W]	[VA]	[VA]	[VA]	[VA]			
	NC		Ø6x1	Ø6x1	12 V	-	-	1.6	-	-	-	-	5794400210	
			Ø6x1	Ø6x1	24 V	-	-	1.6	-	-	-	-	-	5794400220
			Ø6x1	Ø6x1	24 V	-	-	1.7	-	-	-	-	-	5794400620
			Ø6x1	Ø6x1	-	24 V	24 V	-	2.2	1.8	3	2.6	5794405220	
			Ø6x1	Ø6x1	-	110 V	110 V	-	3	2.4	4.2	3.4	5794405270	
			Ø6x1	Ø6x1	-	230 V	230 V	-	2.3	2	3.2	2.8	5794405280	
			Ø6x1	Ø6x1	-	230 V	230 V	-	2.5	2.2	3.4	3	5794405680	
			Ø 8x1	Ø 8x1	12 V	-	-	1.6	-	-	-	-	-	5794600210
			Ø 8x1	Ø 8x1	24 V	-	-	1.6	-	-	-	-	-	5794600220
			Ø 8x1	Ø 8x1	24 V	-	-	1.7	-	-	-	-	-	5794600620
			Ø 8x1	Ø 8x1	-	24 V	24 V	-	2.2	1.8	3	2.6	5794605220	
			Ø 8x1	Ø 8x1	-	110 V	110 V	-	3	2.4	4.2	3.4	5794605270	
			Ø 8x1	Ø 8x1	-	230 V	230 V	-	2.3	2	3.2	2.8	5794605280	
			Ø 8x1	Ø 8x1	-	230 V	230 V	-	2.5	2.2	3.4	3	5794605680	

Part No.	Qn	LED	Note
	[l/min]		
5794400210	520	-	-
5794400220	520	-	-
5794400620	520	Red	1)
5794405220	520	-	-
5794405270	520	-	-
5794405280	520	-	-
5794405680	520	Red	-
5794600210	850	-	-
5794600220	850	-	-
5794600620	850	Red	1)
5794605220	850	-	-
5794605270	850	-	-
5794605280	850	-	-
5794605680	850	Red	-

MO = Manual override

1) with LED and protective diode for reducing voltage peaks in the solenoid coil

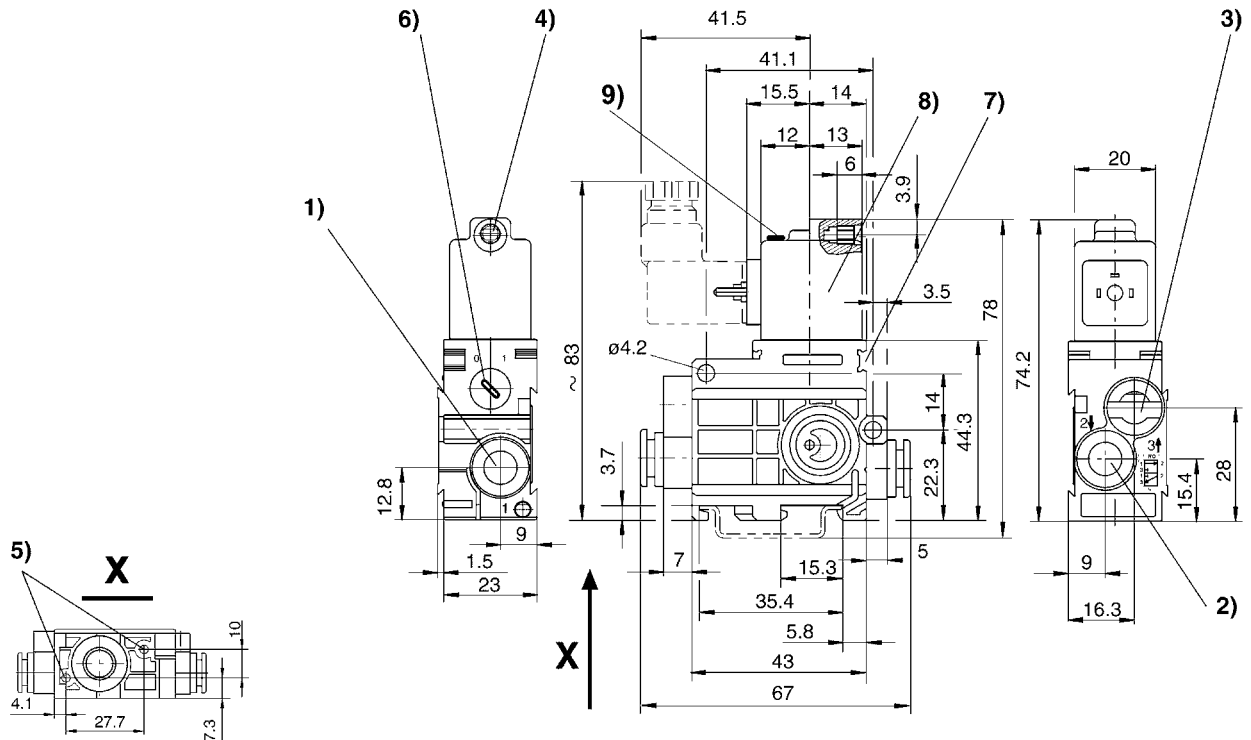
Nominal flow Qn at 6 bar and Δp = 1 bar

Directional valves ▶ Electrically operated

3/2-directional valve, Series 579

▶ Qn = 520 - 850 l/min ▶ NC ▶ pipe connection ▶ Compressed air connection output: Ø6x1 - Ø 8x1 ▶ Electr. connection: Plug, ISO 15217, form C ▶ single valve ▶ Manual override: with detent ▶ Pilot: internal

Dimensions



D579_460

- 1) Port 1
- 2) Port 2
- 3) Port 3, exhaust air must not be throttled
- 4) Core Ø for M5
- 5) Pocket hole 6 mm deep for 3.5 self-tapping screw
- 6) Manual override
- 7) Mounting space for name plate
- 8) Coil can be rotated at 180° intervals
- 9) LED

Directional valves ▶ Electrically operated

3/2-directional valve, Series 579

- ▶ external ▶ Qn = 520 - 850 l/min ▶ NC ▶ pipe connection ▶ Compressed air connection output: Ø6x1 - Ø 8x1
 ▶ Electr. connection: Plug, ISO 15217, form C ▶ single valve ▶ Pilot: external



1003-031

Version	Poppet valve
Sealing principle	Soft sealing
Working pressure min./max.	0.5 bar / 8 bar
Control pressure min./max.	2 bar / 8 bar
Ambient temperature min./max.	-15 °C / +50 °C
Medium temperature min./max.	-15 °C / +50 °C
Medium	Compressed air
Max. particle size	5 µm
Oil content of compressed air	0 mg/m ³ - 1 mg/m ³
Nominal flow Qn	See table below
Protection class with connection	IP65
	Protected against polarity reversal
Duty cycle	100 %
Typ. switch-on time	18 ms
Typ. switch-off time	16 ms
Weight	0.093 kg
Materials:	
Housing	Polyamide
Seals	Acrylonitrile butadiene rubber; Polyurethane

Technical Remarks

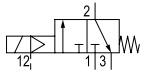
- The min. control pressure must be adhered to, since otherwise faulty switching and valve failure may result!
- The pressure dew point must be at least 15 °C under ambient and medium temperature and may not exceed 3 °C.
- The oil content of compressed air must remain constant during the life cycle.
- Use only the approved oils from AVENTICS, see chapter „Technical information“.
- At an ambient temperature of 40 °C the max. working pressure is 10 bar.
- Versions with voltage of less than 50 V DC do not have a protective ground.
- The control pressure must be at least as high as the working pressure.

Operational voltage			LED	Voltage tolerance		Power consumption	Switch-on power		Holding power	
DC	AC 50 Hz	AC 60 Hz		DC	AC 60 Hz		DC	AC 50 Hz	AC 60 Hz	AC 50 Hz
						W	VA	VA	VA	VA
-	24 V	24 V	-	-	-10% / +15%	-	3	2.6	2.2	1.8
-	110 V	110 V	-	-	-10% / +15%	-	4.2	3.4	3	2.4
-	230 V	230 V	-	-	-10% / +15%	-	3.2	2.8	2.3	2
-	230 V	230 V	Red	-	-10% / +15%	-	3.4	3	2.5	2.2
12 V	-	-	-	-10% / +10%	-	1.6	-	-	-	-
24 V	-	-	Red	-10% / +10%	-	1.7	-	-	-	-
24 V	-	-	-	-10% / +10%	-	1.6	-	-	-	-

Directional valves ▶ Electrically operated

3/2-directional valve, Series 579

- ▶ external ▶ Qn = 520 - 850 l/min ▶ NC ▶ pipe connection ▶ Compressed air connection output: Ø6x1 - Ø 8x1
- ▶ Electr. connection: Plug, ISO 15217, form C ▶ single valve ▶ Pilot: external

		Compressed air connection			Operational voltage			Power consumption	Holding power	Holding power	Switch-on power	Part No.			
		Input	Output	Pilot connection	DC	AC 50 Hz	AC 60 Hz	DC	AC 50 Hz	AC 60 Hz	AC 50 Hz				
												[W]	[VA]	[VA]	[VA]
	NC	Ø6x1	Ø6x1	Ø 4	-	24 V	24 V	-	2.2	1.8	3	5794475220			
		Ø6x1	Ø6x1		-	110 V	110 V	-	3	2.4	4.2	5794475270			
		Ø6x1	Ø6x1		-	230 V	230 V	-	2.3	2	3.2	5794475280			
		Ø6x1	Ø6x1		-	230 V	230 V	-	2.5	2.2	3.4	5794475680			
		Ø6x1	Ø6x1		12 V	-	-	1.6	-	-	-	5794470210			
		Ø6x1	Ø6x1		24 V	-	-	1.7	-	-	-	5794470620			
		Ø6x1	Ø6x1		24 V	-	-	1.6	-	-	-	5794470220			
		Ø 8x1	Ø 8x1		12 V	-	-	1.6	-	-	-	5794670210			
		Ø 8x1	Ø 8x1		24 V	-	-	1.6	-	-	-	5794670220			
		Ø 8x1	Ø 8x1		24 V	-	-	1.7	-	-	-	5794670620			
		Ø 8x1	Ø 8x1		-	24 V	24 V	-	2.2	1.8	3	5794675220			
		Ø 8x1	Ø 8x1		-	110 V	110 V	-	3	2.4	4.2	5794675270			
		Ø 8x1	Ø 8x1		-	230 V	230 V	-	2.3	2	3.2	5794675280			
		Ø 8x1	Ø 8x1		-	230 V	230 V	-	2.5	2.2	3.4	5794675680			

Part No.	Switch-on power	Qn	LED	Note
AC 60 Hz				
[VA]		[l/min]		
5794475220	2.6	520	-	-
5794475270	3.4	520	-	-
5794475280	2.8	520	-	-
5794475680	3	520	Red	-
5794470210	-	520	-	-
5794470620	-	520	Red	1)
5794470220	-	520	-	-
5794670210	-	850	-	-
5794670220	-	850	-	-
5794670620	-	850	Red	1)
5794675220	2.6	850	-	-
5794675270	3.4	850	-	-
5794675280	2.8	850	-	-
5794675680	3	850	Red	-

MO = Manual override

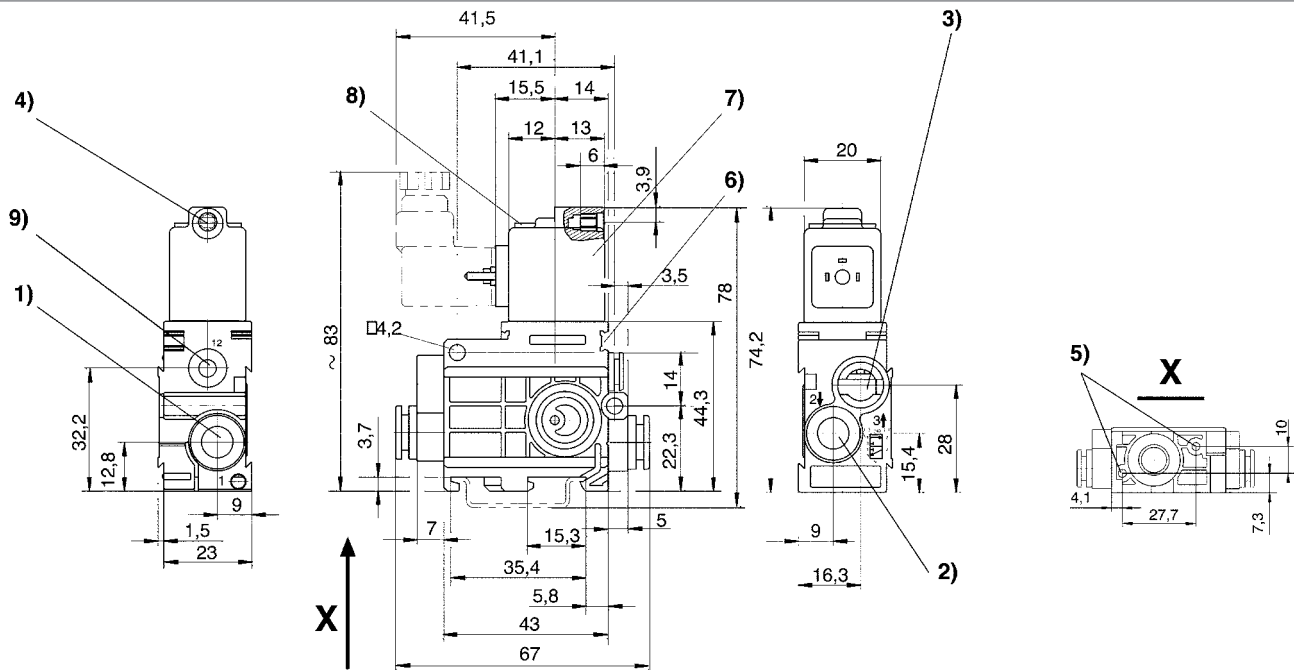
1) With LED and protective diode for reducing voltage peaks in the solenoid coil, protected against polarity reversal

Nominal flow Qn at 6 bar and Δp = 1 bar

3/2-directional valve, Series 579

- ▶ external ▶ $Q_n = 520 - 850 \text{ l/min}$ ▶ NC ▶ pipe connection ▶ Compressed air connection output: $\text{Ø}6 \times 1 - \text{Ø} 8 \times 1$
- ▶ Electr. connection: Plug, ISO 15217, form C ▶ single valve ▶ Pilot: external

Dimensions



- 1) Port 1
- 2) Port 2
- 3) Port 3, exhaust air must not be throttled
- 4) Core Ø for M5
- 5) Pocket hole 6 mm deep for 3.5 self-tapping screw
- 6) Mounting space for name plate
- 7) Coil can be rotated at 180° intervals
- 8) LED
- 9) Port 12

D579_467

Directional valves ▶ Electrically operated

5/2-directional valve, Series 579

▶ Qn = 520 - 600 l/min ▶ pipe connection ▶ Compressed air connection output: Ø6x1 - Ø 8x1 ▶ Electr. connection: Plug, ISO 15217, form C ▶ single valve ▶ Manual override: with detent ▶ Pilot: internal



P579_470

Version	Poppet valve
Sealing principle	Soft sealing
Working pressure min./max.	2 bar / 8 bar
Ambient temperature min./max.	-15 °C / +50 °C
Medium temperature min./max.	-15 °C / +50 °C
Medium	Compressed air
Max. particle size	5 µm
Oil content of compressed air	0 mg/m³ - 1 mg/m³
Nominal flow Qn	See table below
Protection class with connection	IP65
	Protected against polarity reversal
Duty cycle	100 %
Typ. switch-on time	27 ms
Typ. switch-off time	28 ms
Weight	0.133 kg
Materials:	
Housing	Polyamide
Seals	Acrylonitrile butadiene rubber; Polyurethane

Technical Remarks

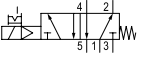
- The min. control pressure must be adhered to, since otherwise faulty switching and valve failure may result!
- The pressure dew point must be at least 15 °C under ambient and medium temperature and may not exceed 3 °C.
- The oil content of compressed air must remain constant during the life cycle.
- Use only the approved oils from AVENTICS, see chapter „Technical information“.
- At an ambient temperature of 40 °C the max. working pressure is 10 bar.
- Versions with voltage of less than 50 V DC do not have a protective ground.

Operational voltage			LED	Voltage tolerance		Power consumption	Switch-on power		Holding power	
DC	AC 50 Hz	AC 60 Hz		DC	AC 60 Hz		DC	AC 50 Hz	AC 60 Hz	AC 50 Hz
						W	VA	VA	VA	VA
12 V	-	-	-	-10% / +10%	-	1.6	-	-	-	-
24 V	-	-	-	-10% / +10%	-	1.6	-	-	-	-
24 V	-	-	Red	-10% / +10%	-	1.7	-	-	-	-
-	24 V	24 V	-	-10% / +15%	-	-	3	2.6	2.2	1.8
-	110 V	110 V	-	-10% / +15%	-	-	4.2	3.4	3	2.4
-	230 V	230 V	-	-10% / +15%	-	-	3.2	2.8	2.3	2
-	230 V	230 V	Red	-10% / +15%	-	-	3.4	3	2.5	2.2

Directional valves ► Electrically operated

5/2-directional valve, Series 579

► Qn = 520 - 600 l/min ► pipe connection ► Compressed air connection output: Ø6x1 - Ø 8x1 ► Electr. connection: Plug, ISO 15217, form C ► single valve ► Manual override: with detent ► Pilot: internal

	MO	Compressed air connection		Operational voltage			Power consumption	Holding power	Holding power	Switch-on power	Switch-on power	Part No.
		Input	Output	DC	AC 50 Hz	AC 60 Hz	DC	AC 50 Hz	AC 60 Hz	AC 50 Hz	AC 60 Hz	
							[W]	[VA]	[VA]	[VA]	[VA]	
		Ø6x1	Ø6x1	12 V	-	-	1.6	-	-	-	-	5794700210
		Ø6x1	Ø6x1	24 V	-	-	1.6	-	-	-	-	5794700220
		Ø6x1	Ø6x1	24 V	-	-	1.7	-	-	-	-	5794700620
		Ø6x1	Ø6x1	-	24 V	24 V	-	2.2	1.8	3	2.6	5794705220
		Ø6x1	Ø6x1	-	110 V	110 V	-	3	2.4	4.2	3.4	5794705270
		Ø6x1	Ø6x1	-	230 V	230 V	-	2.3	2	3.2	2.8	5794705280
		Ø6x1	Ø6x1	-	230 V	230 V	-	2.5	2.2	3.4	3	5794705680
		Ø 8x1	Ø 8x1	12 V	-	-	1.6	-	-	-	-	5794900210
		Ø 8x1	Ø 8x1	24 V	-	-	1.6	-	-	-	-	5794900220
		Ø 8x1	Ø 8x1	24 V	-	-	1.7	-	-	-	-	5794900620
		Ø 8x1	Ø 8x1	-	24 V	24 V	-	2.2	1.8	3	2.6	5794905220
		Ø 8x1	Ø 8x1	-	110 V	110 V	-	3	2.4	4.2	3.4	5794905270
		Ø 8x1	Ø 8x1	-	230 V	230 V	-	2.3	2	3.2	2.8	5794905280
		Ø 8x1	Ø 8x1	-	230 V	230 V	-	2.5	2.2	3.4	3	5794905680

Part No.	Qn	LED	Note
		[l/min]	
5794700210	520	-	-
5794700220	520	-	-
5794700620	520	Red	1)
5794705220	520	-	-
5794705270	520	-	-
5794705280	520	-	-
5794705680	520	Red	-
5794900210	600	-	-
5794900220	600	-	-
5794900620	600	Red	1)
5794905220	600	-	-
5794905270	600	-	-
5794905280	600	-	-
5794905680	600	Red	-

MO = Manual override

1) With LED and protective diode for reducing voltage peaks in the solenoid coil, protected against polarity reversal

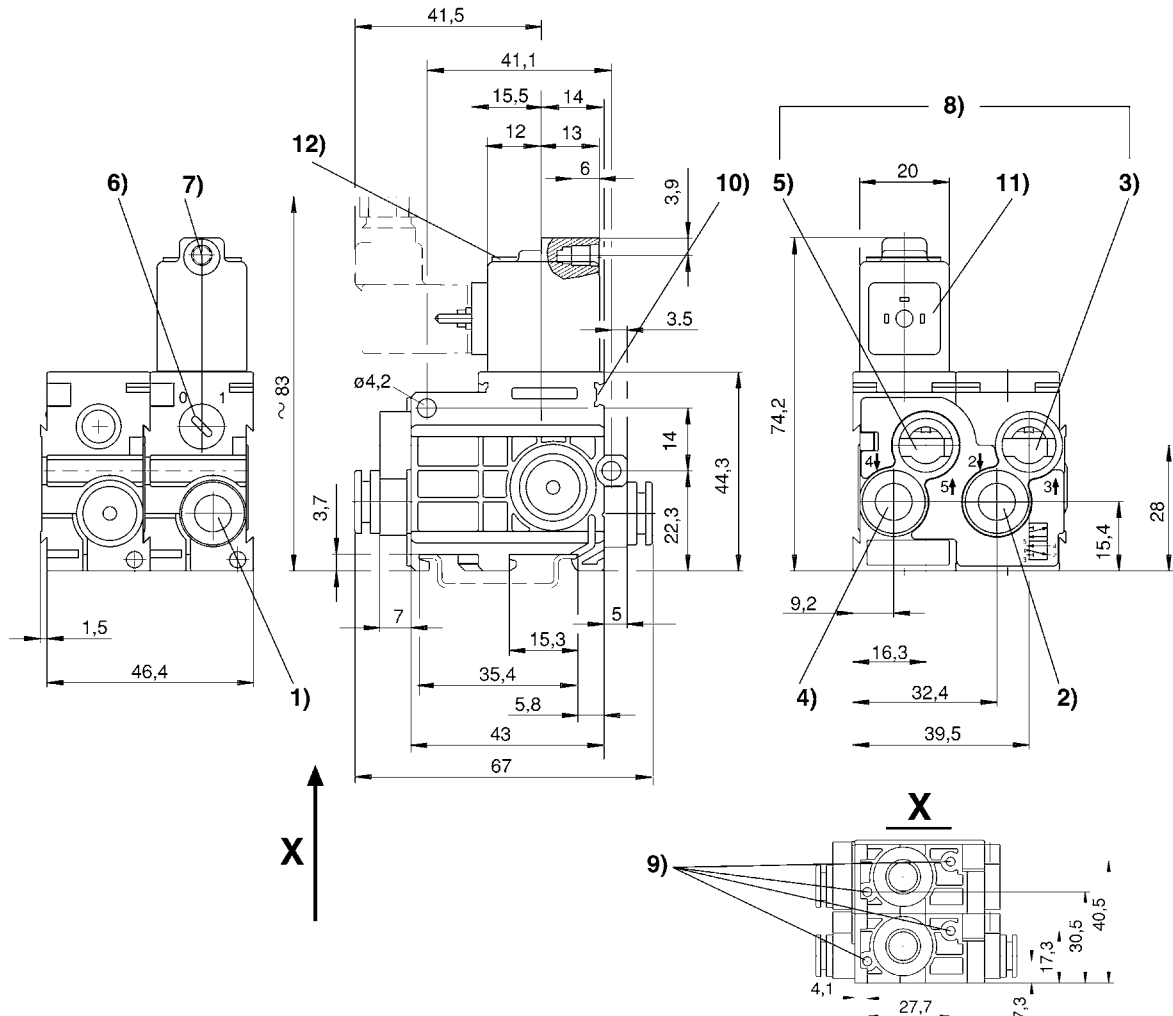
Nominal flow Qn at 6 bar and Δp = 1 bar

Directional valves ▶ Electrically operated

5/2-directional valve, Series 579

▶ $Q_n = 520 - 600 \text{ l/min}$ ▶ pipe connection ▶ Compressed air connection output: $\text{Ø}6 \times 1 - \text{Ø}8 \times 1$ ▶ Electr. connection: Plug, ISO 15217, form C ▶ single valve ▶ Manual override: with detent ▶ Pilot: internal

Dimensions



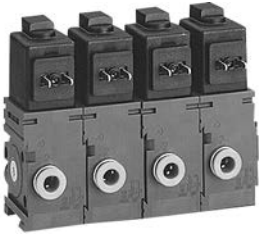
D579_470

1) port 1 2) port 2 3) port 3 4) port 4 5) port 5 6) manual override 7) core Ø for M 5 8) exhaust air must not be throttled 9) pocket hole 6 mm deep for 3.5 self-tapping screw 10) mounting space for name plate 11) coil can be rotated at 180° intervals 12) LED

Directional valves ▶ Electrically operated

3/2-directional valve, Series 579

▶ Qn = 50 l/min ▶ NC ▶ pipe connection ▶ Compressed air connection output: Ø6x1 ▶ Electr. connection: Plug, ISO 15217, form C ▶ Can be assembled into blocks ▶ Manual override: with detent



P579_020

Version	Poppet valve
Sealing principle	Soft sealing
Working pressure min./max.	0 bar / 7 bar
Ambient temperature min./max.	-15 °C / +50 °C
Medium temperature min./max.	-15 °C / +50 °C
Medium	Compressed air
Max. particle size	5 µm
Oil content of compressed air	0 mg/m ³ - 1 mg/m ³
Nominal flow Qn	50 l/min
Protection class with connection	IP65
	Protected against polarity reversal
Duty cycle	100 %
Typ. switch-on time	20 ms
Typ. switch-off time	23 ms
Weight	0.079 kg
Materials:	
Housing	Polyamide
Seals	Acrylonitrile butadiene rubber

Technical Remarks

- The min. control pressure must be adhered to, since otherwise faulty switching and valve failure may result!
- The pressure dew point must be at least 15 °C under ambient and medium temperature and may not exceed 3 °C.
- The oil content of compressed air must remain constant during the life cycle.
- Use only the approved oils from AVENTICS, see chapter „Technical information“.
- Versions with voltage of less than 50 V DC do not have a protective ground.

Operational voltage			LED	Voltage tolerance		Power consumption	Switch-on power		Holding power	
DC	AC 50 Hz	AC 60 Hz		DC	AC 60 Hz		DC	AC 50 Hz	AC 60 Hz	AC 50 Hz
						W	VA	VA	VA	VA
12 V	-	-	-	-10% / +10%	-	2	-	-	-	-
24 V	-	-	-	-10% / +10%	-	2	-	-	-	-
24 V	-	-	Red	-10% / +10%	-	2.1	-	-	-	-
-	24 V	24 V	-	-	-10% / +15%	-	4.2	4.2	3.1	3.1
-	110 V	110 V	-	-	-10% / +15%	-	4.2	4.2	3	3
-	230 V	230 V	-	-	-10% / +15%	-	4.4	4.4	3.1	3.1
-	230 V	230 V	Red	-	-10% / +15%	-	4.6	4.6	3.3	3.3

Directional valves ▶ Electrically operated

3/2-directional valve, Series 579

▶ Qn = 50 l/min ▶ NC ▶ pipe connection ▶ Compressed air connection output: Ø6x1 ▶ Electr. connection: Plug, ISO 15217, form C ▶ Can be assembled into blocks ▶ Manual override: with detent

	MO	Type	Compressed air connection		Operational voltage			Power consumption	Hold-ing power	Hold-ing power	Part No.
			Input	Output	DC	AC 50 Hz	AC 60 Hz	DC	AC 50 Hz	AC 60 Hz	
	NC	Inlet valve	Ø 8x1		12 V	-	-	2	-	-	5790200210
		Inlet valve	Ø 8x1		24 V	-	-	2	-	-	5790200220
		Inlet valve	Ø 8x1		24 V	-	-	2.1	-	-	5790200620
		Inlet valve	Ø 8x1		-	24 V	24 V	-	3.1	3.1	5790205220
		Inlet valve	Ø 8x1		-	110 V	110 V	-	3	3	5790205270
		Inlet valve	Ø 8x1		-	230 V	230 V	-	3.1	3.1	5790205280
		Inlet valve	Ø 8x1		-	230 V	230 V	-	3.3	3.3	5790205680
		Stacking valve	-	Ø6x1	12 V	-	-	2	-	-	5791200210
		Stacking valve	-	Ø6x1	24 V	-	-	2	-	-	5791200220
		Stacking valve	-	Ø6x1	24 V	-	-	2.1	-	-	5791200620
		Stacking valve	-	Ø6x1	-	24 V	24 V	-	3.1	3.1	5791205220
		Stacking valve	-	Ø6x1	-	110 V	110 V	-	3	3	5791205270
		Stacking valve	-	Ø6x1	-	230 V	230 V	-	3.1	3.1	5791205280
		Stacking valve	-	Ø6x1	-	230 V	230 V	-	3.3	3.3	5791205680
		End valve	-	Ø6x1	12 V	-	-	2	-	-	5792200210
		End valve	-	Ø6x1	24 V	-	-	2	-	-	5792200220
		End valve	-	Ø6x1	24 V	-	-	2.1	-	-	5792200620
		End valve	-	Ø6x1	-	24 V	24 V	-	3.1	3.1	5792205220
		End valve	-	Ø6x1	-	110 V	110 V	-	3	3	5792205270
		End valve	-	Ø6x1	-	230 V	230 V	-	3.1	3.1	5792205280
End valve	-	Ø6x1	-	230 V	230 V	-	3.3	3.3	5792205680		

Part No.	Switch-on power		LED		Note
	AC 50 Hz	AC 60 Hz			
	[VA]	[VA]			
5790200210	-	-	-	-	-
5790200220	-	-	-	-	-
5790200620	-	-	Red	-	1)
5790205220	4.2	4.2	-	-	-
5790205270	4.2	4.2	-	-	-
5790205280	4.4	4.4	-	-	-
5790205680	4.6	4.6	Red	-	-
5791200210	-	-	-	-	-
5791200220	-	-	-	-	-
5791200620	-	-	Red	-	1)
5791205220	4.2	4.2	-	-	-
5791205270	4.2	4.2	-	-	-
5791205280	4.4	4.4	-	-	-
5791205680	4.6	4.6	Red	-	-
5792200210	-	-	-	-	-
5792200220	-	-	-	-	-
5792200620	-	-	Red	-	1)
5792205220	4.2	4.2	-	-	-
5792205270	4.2	4.2	-	-	-
5792205280	4.4	4.4	-	-	-
5792205680	4.6	4.6	Red	-	-

MO = Manual override

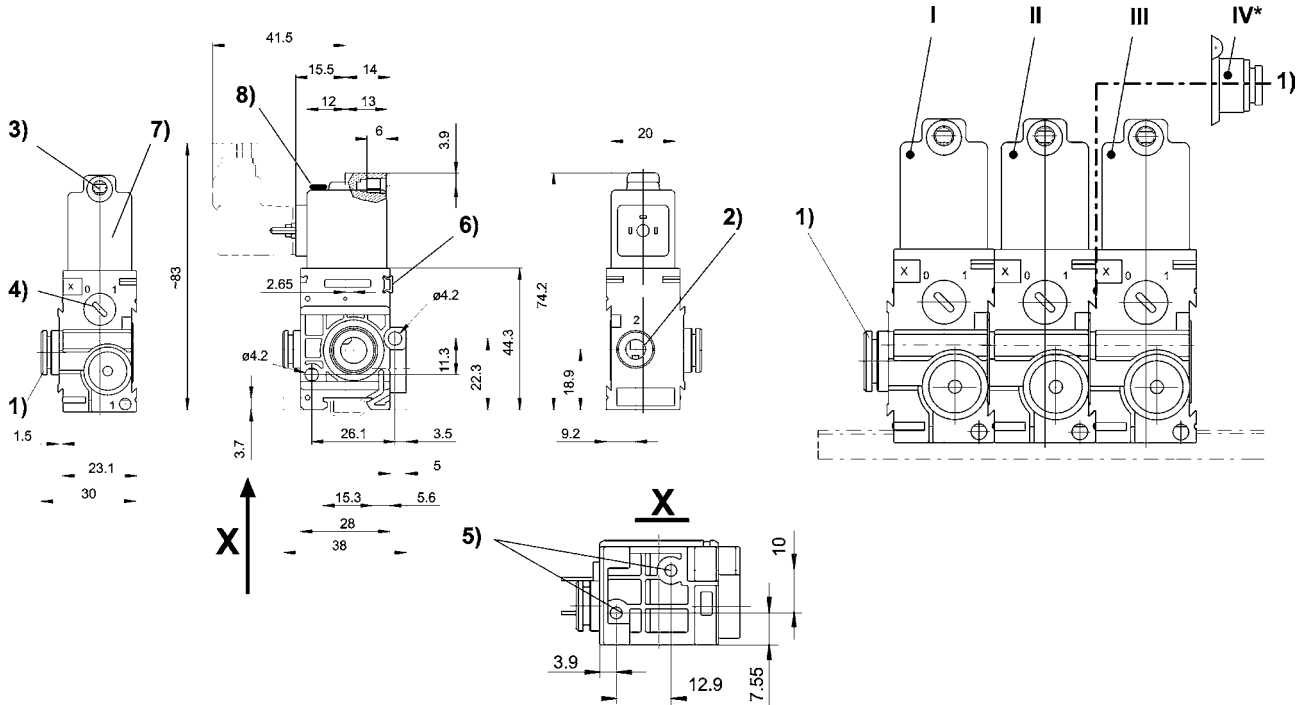
1) With LED and protective diode for reducing voltage peaks in the solenoid coil, protected against polarity reversal

Nominal flow Qn at 6 bar and Δp = 1 bar

3/2-directional valve, Series 579

▶ Qn = 50 l/min ▶ NC ▶ pipe connection ▶ Compressed air connection output: Ø6x1 ▶ Electr. connection: Plug, ISO 15217, form C ▶ Can be assembled into blocks ▶ Manual override: with detent

Dimensions



- 1) Port 1
- 2) Port 2
- 3) Port 3 core Ø for M5
- 4) Manual override
- 5) Pocket hole 6 mm deep for 3.5 self-tapping screw
- 6) Mounting space for name plate
- 7) Coil can be rotated at 180° intervals
- 8) LED

D579_020

* Air conn. module (item IV) mounted onto stacking valve (item II) permits additional air supply from right hand side. End valve (item III) not required.
I = Inlet valve, II = Stacking valve, III = End valve

Directional valves ▶ Electrically operated

3/2-directional valve, Series 579

▶ Qn = 520 l/min ▶ NC ▶ pipe connection ▶ Compressed air connection output: Ø6x1 ▶ Electr. connection: Plug, ISO 15217, form C ▶ Can be assembled into blocks ▶ Manual override: with detent ▶ Pilot: internal



P579_051

Version	Poppet valve
Sealing principle	Soft sealing
Working pressure min./max.	2 bar / 8 bar
Ambient temperature min./max.	-15 °C / +50 °C
Medium temperature min./max.	-15 °C / +50 °C
Medium	Compressed air
Max. particle size	5 µm
Oil content of compressed air	0 mg/m³ - 1 mg/m³
Protection class with connection	IP65
	Protected against polarity reversal
Duty cycle	100 %
Typ. switch-on time	18 ms
Typ. switch-off time	16 ms
Weight	0.093 kg
Materials:	
Housing	Polyamide
Seals	Acrylonitrile butadiene rubber; Polyurethane

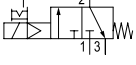

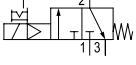

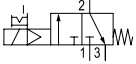

Technical Remarks

- The min. control pressure must be adhered to, since otherwise faulty switching and valve failure may result!
- The pressure dew point must be at least 15 °C under ambient and medium temperature and may not exceed 3 °C.
- The oil content of compressed air must remain constant during the life cycle.
- Use only the approved oils from AVENTICS, see chapter „Technical information“.
- At an ambient temperature of 40 °C the max. working pressure is 10 bar.
- Versions with voltage of less than 50 V DC do not have a protective ground.

Operational voltage			LED	Voltage tolerance		Power consumption	Switch-on power		Holding power	
DC	AC 50 Hz	AC 60 Hz		DC	AC 60 Hz		DC	AC 50 Hz	AC 60 Hz	AC 50 Hz
						W	VA	VA	VA	VA
12 V	-	-	-	-10% / +10%	-	1.6	-	-	-	-
24 V	-	-	-	-10% / +10%	-	1.6	-	-	-	-
24 V	-	-	Red	-10% / +10%	-	1.7	-	-	-	-
-	24 V	24 V	-	-	-10% / +15%	-	3	2.6	2.2	1.8
-	110 V	110 V	-	-	-10% / +15%	-	4.2	3.4	3	2.4
-	230 V	230 V	-	-	-10% / +15%	-	3.2	2.8	2.3	2
-	230 V	230 V	Red	-	-10% / +15%	-	3.4	3	2.5	2.2

3/2-directional valve, Series 579

► Qn = 520 l/min ► NC ► pipe connection ► Compressed air connection output: Ø6x1 ► Electr. connection: Plug, ISO 15217, form C ► Can be assembled into blocks ► Manual override: with detent ► Pilot: internal

	MO	Type	Compressed air connection		Operational voltage			Power consumption	Hold-ing power	Hold-ing power	Part No.	
			Input	Output	DC	AC 50 Hz	AC 60 Hz	DC	AC 50 Hz	AC 60 Hz		
								[W]	[VA]	[VA]		
	NC		Inlet valve	Ø 8x1		12 V	-	-	1.6	-	-	5790500210
			Inlet valve	Ø 8x1		24 V	-	-	1.6	-	-	5790500220
			Inlet valve	Ø 8x1		24 V	-	-	1.7	-	-	5790500620
			Inlet valve	Ø 8x1		-	24 V	24 V	-	2.2	1.8	5790505220
			Inlet valve	Ø 8x1		-	110 V	110 V	-	3	2.4	5790505270
			Inlet valve	Ø 8x1		-	230 V	230 V	-	2.3	2	5790505280
			Inlet valve	Ø 8x1		-	230 V	230 V	-	2.5	2.2	5790505680
			Stacking valve	-	Ø6x1	12 V	-	-	1.6	-	-	5791500210
			Stacking valve	-	Ø6x1	24 V	-	-	1.6	-	-	5791500220
			Stacking valve	-	Ø6x1	24 V	-	-	1.7	-	-	5791500620
			Stacking valve	-	Ø6x1	-	24 V	24 V	-	2.2	1.8	5791505220
			Stacking valve	-	Ø6x1	-	110 V	110 V	-	3	2.4	5791505270
			Stacking valve	-	Ø6x1	-	230 V	230 V	-	2.3	2	5791505280
			Stacking valve	-	Ø6x1	-	230 V	230 V	-	2.5	2.2	5791505680
	NC		Stacking valve, add. compressed air port	Ø6x1		12 V	-	-	1.6	-	-	5796400210
			Stacking valve, add. compressed air port	Ø6x1		24 V	-	-	1.6	-	-	5796400220
			Stacking valve, add. compressed air port	Ø6x1		24 V	-	-	1.7	-	-	5796400620
			Stacking valve, add. compressed air port	Ø6x1		-	24 V	24 V	-	2.2	1.8	5796405220
			Stacking valve, add. compressed air port	Ø6x1		-	110 V	110 V	-	3	2.4	5796405270
			Stacking valve, add. compressed air port	Ø6x1		-	230 V	230 V	-	2.3	2	5796405280
			Stacking valve, add. compressed air port	Ø6x1		-	230 V	230 V	-	2.5	2.2	5796405680
			Stacking valve, add. compressed air port	Ø 8x1		12 V	-	-	1.6	-	-	5796500210
			Stacking valve, add. compressed air port	Ø 8x1		24 V	-	-	1.6	-	-	5796500220
			Stacking valve, add. compressed air port	Ø 8x1		24 V	-	-	1.7	-	-	5796500620
			Stacking valve, add. compressed air port	Ø 8x1		-	24 V	24 V	-	2.2	1.8	5796505220
			Stacking valve, add. compressed air port	Ø 8x1		-	110 V	110 V	-	3	2.4	5796505270
			Stacking valve, add. compressed air port	Ø 8x1		-	230 V	230 V	-	2.3	2	5796505280
			Stacking valve, add. compressed air port	Ø 8x1		-	230 V	230 V	-	2.5	2.2	5796505680
	NC		End valve	-	Ø6x1	12 V	-	-	1.6	-	-	5792500210
			End valve	-	Ø6x1	24 V	-	-	1.6	-	-	5792500220
			End valve	-	Ø6x1	24 V	-	-	1.7	-	-	5792500620
			End valve	-	Ø6x1	-	24 V	24 V	-	2.2	1.8	5792505220
			End valve	-	Ø6x1	-	110 V	110 V	-	3	2.4	5792505270
			End valve	-	Ø6x1	-	230 V	230 V	-	2.3	2	5792505280
End valve	-	Ø6x1	-	230 V	230 V	-	2.5	2.2	5792505680			

Directional valves ▶ Electrically operated
3/2-directional valve, Series 579

▶ Qn = 520 l/min ▶ NC ▶ pipe connection ▶ Compressed air connection output: Ø6x1 ▶ Electr. connection: Plug, ISO 15217, form C ▶ Can be assembled into blocks ▶ Manual override: with detent ▶ Pilot: internal

Part No.	Switch-on power		Qn	LED	Note
	AC 50 Hz	AC 60 Hz			
	[VA]	[VA]			
5790500210	-	-	520	-	-
5790500220	-	-		-	-
5790500620	-	-		Red	1)
5790505220	3	2.6		-	-
5790505270	4.2	3.4		-	-
5790505280	3.2	2.8		-	-
5790505680	3.4	3		Red	-
5791500210	-	-		-	-
5791500220	-	-		-	-
5791500620	-	-		Red	1)
5791505220	3	2.6		-	-
5791505270	4.2	3.4		-	-
5791505280	3.2	2.8		-	-
5791505680	3.4	3		Red	-
5796400210	-	-		-	-
5796400220	-	-		-	-
5796400620	-	-	Red	1)	
5796405220	3	2.6	-	-	
5796405270	4.2	3.4	-	-	
5796405280	3.2	2.8	-	-	
5796405680	3.4	3	Red	-	
5796500210	-	-	-	-	
5796500220	-	-	-	-	
5796500620	-	-	Red	1)	
5796505220	3	2.6	-	-	
5796505270	4.2	3.4	-	-	
5796505280	3.2	2.8	-	-	
5796505680	3.4	3	Red	-	
5792500210	-	-	520	-	-
5792500220	-	-		-	-
5792500620	-	-		Red	1)
5792505220	3	2.6		-	-
5792505270	4.2	3.4		-	-
5792505280	3.2	2.8		-	-
5792505680	3.4	3	Red	-	

MO = Manual override

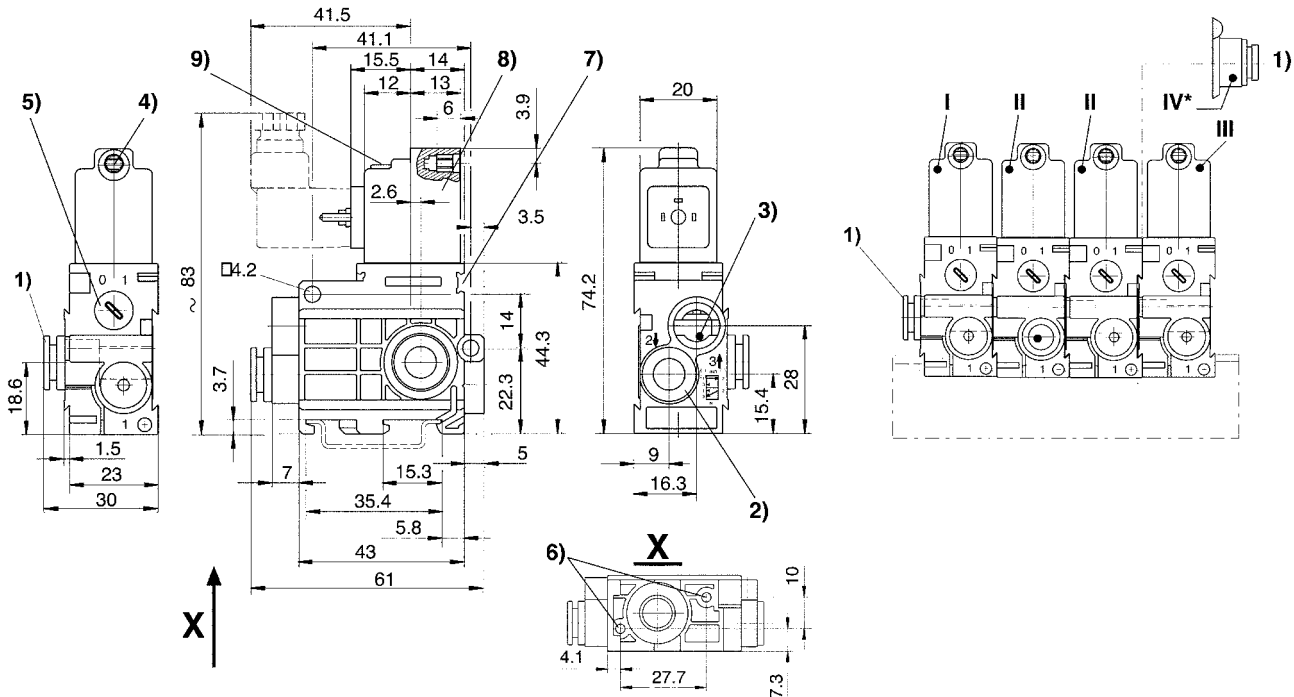
1) With LED and protective diode for reducing voltage peaks in the solenoid coil, protected against polarity reversal

Nominal flow Qn at 6 bar and $\Delta p = 1$ bar

3/2-directional valve, Series 579

▶ $Q_n = 520 \text{ l/min}$ ▶ NC ▶ pipe connection ▶ Compressed air connection output: $\text{Ø}6 \times 1$ ▶ Electr. connection: Plug, ISO 15217, form C ▶ Can be assembled into blocks ▶ Manual override: with detent ▶ Pilot: internal

Dimensions



D579_051

- 1) Port 1
- 2) Port 2
- 3) Port 3, exhaust air must not be throttled
- 4) Core Ø for M5
- 5) Manual override
- 6) Pocket hole 6 mm deep for 3.5 self-tapping screw
- 7) Mounting space for name plate
- 8) Coil can be rotated at 180° intervals
- 9) LED

* Air conn. module (item IV) mounted onto stacking valve (item II) permits additional air supply from right hand side. End valve (item III) not required.
I = Inlet valve, II = Stacking valve, III = End valve

Directional valves ▶ Electrically operated

3/2-directional valve, Series 579

▶ Qn = 520 l/min ▶ NO ▶ pipe connection ▶ Compressed air connection output: Ø6x1 ▶ Electr. connection: Plug, ISO 15217, form C ▶ Can be assembled into blocks ▶ Manual override: with detent ▶ Pilot: internal



P579_051

Version	Poppet valve
Sealing principle	Soft sealing
Working pressure min./max.	2 bar / 8 bar
Ambient temperature min./max.	-15 °C / +50 °C
Medium temperature min./max.	-15 °C / +50 °C
Medium	Compressed air
Max. particle size	5 µm
Oil content of compressed air	0 mg/m³ - 1 mg/m³
Protection class with connection	IP65
	Protected against polarity reversal
Duty cycle	100 %
Typ. switch-on time	18 ms
Typ. switch-off time	16 ms
Weight	0.093 kg
Materials:	
Housing	Polyamide
Seals	Acrylonitrile butadiene rubber; Polyurethane

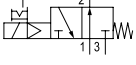

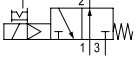


Technical Remarks

- The min. control pressure must be adhered to, since otherwise faulty switching and valve failure may result!
- The pressure dew point must be at least 15 °C under ambient and medium temperature and may not exceed 3 °C.
- The oil content of compressed air must remain constant during the life cycle.
- Use only the approved oils from AVENTICS, see chapter „Technical information“.
- At an ambient temperature of 40 °C the max. working pressure is 10 bar.
- Versions with voltage of less than 50 V DC do not have a protective ground.

Operational voltage			LED	Voltage tolerance		Power consumption	Switch-on power		Holding power	
DC	AC 50 Hz	AC 60 Hz		DC	AC 60 Hz		DC	AC 50 Hz	AC 60 Hz	AC 50 Hz
						W	VA	VA	VA	VA
12 V	-	-	-	-10% / +10%	-	1.6	-	-	-	-
24 V	-	-	-	-10% / +10%	-	1.6	-	-	-	-
24 V	-	-	Red	-10% / +10%	-	1.7	-	-	-	-
-	24 V	24 V	-	-	-10% / +15%	-	3	2.6	2.2	1.8
-	110 V	110 V	-	-	-10% / +15%	-	4.2	3.4	3	2.4
-	230 V	230 V	-	-	-10% / +15%	-	3.2	2.8	2.3	2
-	230 V	230 V	Red	-	-10% / +15%	-	3.4	3	2.5	2.2

3/2-directional valve, Series 579

► Qn = 520 l/min ► NO ► pipe connection ► Compressed air connection output: Ø6x1 ► Electr. connection: Plug, ISO 15217, form C ► Can be assembled into blocks ► Manual override: with detent ► Pilot: internal

	MO	Type	Compressed air connection		Operational voltage			Power consumption	Hold-ing power	Hold-ing power	Part No.	
			Input	Output	DC	AC 50 Hz	AC 60 Hz	DC	AC 50 Hz	AC 60 Hz		
								[W]	[VA]	[VA]		
	NO		Inlet valve	Ø 8x1	Ø6x1	12 V	-	-	1.6	-	-	5790510210
			Inlet valve	Ø 8x1		24 V	-	-	1.6	-	-	5790510220
			Inlet valve	Ø 8x1		24 V	-	-	1.7	-	-	5790510620
			Inlet valve	Ø 8x1		-	24 V	24 V	-	2.2	1.8	5790515220
			Inlet valve	Ø 8x1		-	110 V	110 V	-	3	2.4	5790515270
			Inlet valve	Ø 8x1		-	230 V	230 V	-	2.3	2	5790515280
			Inlet valve	Ø 8x1		-	230 V	230 V	-	2.5	2.2	5790515680
			Stacking valve	-		12 V	-	-	1.6	-	-	5791510210
			Stacking valve	-		24 V	-	-	1.7	-	-	5791510620
			Stacking valve	-		24 V	-	-	1.6	-	-	5791510220
			Stacking valve	-		-	24 V	24 V	-	2.2	1.8	5791515220
			Stacking valve	-		-	110 V	110 V	-	3	2.4	5791515270
			Stacking valve	-		-	230 V	230 V	-	2.3	2	5791515280
			Stacking valve	-		-	230 V	230 V	-	2.5	2.2	5791515680
	NO		Stacking valve, add. compressed air port	Ø6x1	Ø6x1	12 V	-	-	1.6	-	-	5796410210
			Stacking valve, add. compressed air port	Ø6x1		24 V	-	-	1.6	-	-	5796410220
			Stacking valve, add. compressed air port	Ø6x1		24 V	-	-	1.7	-	-	5796410620
			Stacking valve, add. compressed air port	Ø6x1		-	24 V	24 V	-	2.2	1.8	5796415220
			Stacking valve, add. compressed air port	Ø6x1		-	110 V	110 V	-	3	2.4	5796415270
			Stacking valve, add. compressed air port	Ø6x1		-	230 V	230 V	-	2.3	2	5796415280
			Stacking valve, add. compressed air port	Ø6x1		-	230 V	230 V	-	2.5	2.2	5796415680
			Stacking valve, add. compressed air port	Ø 8x1		12 V	-	-	1.6	-	-	5796510210
			Stacking valve, add. compressed air port	Ø 8x1		24 V	-	-	1.6	-	-	5796510220
			Stacking valve, add. compressed air port	Ø 8x1		24 V	-	-	1.7	-	-	5796510620
			Stacking valve, add. compressed air port	Ø 8x1		-	24 V	24 V	-	2.2	1.8	5796515220
			Stacking valve, add. compressed air port	Ø 8x1		-	110 V	110 V	-	3	2.4	5796515270
			Stacking valve, add. compressed air port	Ø 8x1		-	230 V	230 V	-	2.3	2	5796515280
			Stacking valve, add. compressed air port	Ø 8x1		-	230 V	230 V	-	2.5	2.2	5796515680
-	NO		End valve	-	Ø6x1	12 V	-	-	1.6	-	-	5792510210
			End valve	-		24 V	-	-	1.6	-	-	5792510220
			End valve	-		24 V	-	-	1.7	-	-	5792510620
			End valve	-		-	24 V	24 V	-	2.2	1.8	5792515220
			End valve	-		-	110 V	110 V	-	3	2.4	5792515270
			End valve	-		-	230 V	230 V	-	2.3	2	5792515280
			End valve	-		-	230 V	230 V	-	2.5	2.2	5792515680

Directional valves ▶ Electrically operated
3/2-directional valve, Series 579

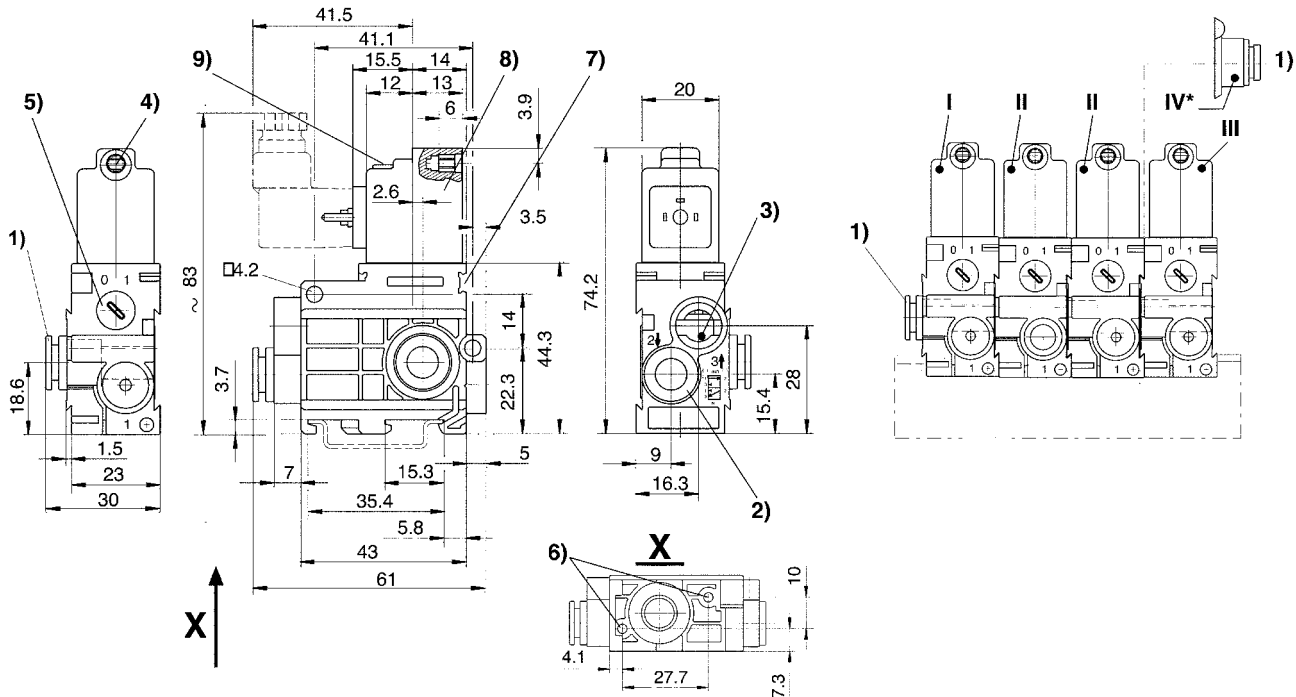
▶ Qn = 520 l/min ▶ NO ▶ pipe connection ▶ Compressed air connection output: Ø6x1 ▶ Electr. connection: Plug, ISO 15217, form C ▶ Can be assembled into blocks ▶ Manual override: with detent ▶ Pilot: internal

Part No.	Switch-on power		Qn	LED	Note	
	AC 50 Hz	AC 60 Hz				
	[VA]	[VA]				[l/min]
5790510210	-	-	520	-	-	
5790510220	-	-		-	-	
5790510620	-	-		Red	1)	
5790515220	3	2.6		-	-	
5790515270	4.2	3.4		-	-	
5790515280	3.2	2.8		-	-	
5790515680	3.4	3		Red	-	
5791510210	-	-		-	-	
5791510620	-	-		Red	1)	
5791510220	-	-		-	-	
5791515220	3	2.6		-	-	
5791515270	4.2	3.4		-	-	
5791515280	3.2	2.8		-	-	
5791515680	3.4	3		Red	-	
5796410210	-	-		520	-	-
5796410220	-	-			-	-
5796410620	-	-	Red		1)	
5796415220	3	2.6	-		-	
5796415270	4.2	3.4	-		-	
5796415280	3.2	2.8	-		-	
5796415680	3.4	3	Red		-	
5796510210	-	-	-		-	
5796510220	-	-	-		-	
5796510620	-	-	Red		1)	
5796515220	3	2.6	-		-	
5796515270	4.2	3.4	-		-	
5796515280	3.2	2.8	-		-	
5796515680	3.4	3	Red		-	
5792510210	-	-	520		-	-
5792510220	-	-			-	-
5792510620	-	-		Red	1)	
5792515220	3	2.6		-	-	
5792515270	4.2	3.4		-	-	
5792515280	3.2	2.8		-	-	
5792515680	3.4	3		Red	-	

1) With LED and protective diode for reducing voltage peaks in the solenoid coil, protected against polarity reversal
Nominal flow Qn at 6 bar and Δp = 1 bar
MO = Manual override

3/2-directional valve, Series 579

▶ $Q_n = 520$ l/min ▶ NO ▶ pipe connection ▶ Compressed air connection output: $\varnothing 6 \times 1$ ▶ Electr. connection: Plug, ISO 15217, form C ▶ Can be assembled into blocks ▶ Manual override: with detent ▶ Pilot: internal

Dimensions


- 1) Port 1
- 2) Port 2
- 3) Port 3, exhaust air must not be throttled
- 4) Core \varnothing for M5
- 5) Manual override
- 6) Pocket hole 6 mm deep for 3.5 self-tapping screw
- 7) Mounting space for name plate
- 8) Coil can be rotated at 180° intervals
- 9) LED

* Air conn. module (item IV) mounted onto stacking valve (item II) permits additional air supply from right hand side. End valve (item III) not required.
I = Inlet valve, II = Stacking valve, III = End valve

D579_051_a

Directional valves ▶ Electrically operated

3/2-directional valve, Series 579

▶ external ▶ Qn = 520 l/min ▶ NC ▶ pipe connection ▶ Compressed air connection output: Ø6x1 ▶ Electr. connection: Plug, ISO 15217, form C ▶ Can be assembled into blocks ▶ Pilot: external



P579_067

Version	Poppet valve
Sealing principle	Soft sealing
Working pressure min./max.	0.5 bar / 8 bar
Control pressure min./max.	2 bar / 8 bar
Ambient temperature min./max.	-15 °C / +50 °C
Medium temperature min./max.	-15 °C / +50 °C
Medium	Compressed air
Max. particle size	5 µm
Oil content of compressed air	0 mg/m³ - 1 mg/m³
Protection class with connection	IP65
	Protected against polarity reversal
Duty cycle	100 %
Typ. switch-on time	18 ms
Typ. switch-off time	16 ms
Weight	0.093 kg
Materials:	
Housing	Polyamide
Seals	Acrylonitrile butadiene rubber; Polyurethane

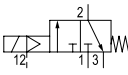
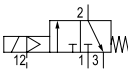
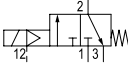
Technical Remarks

- The min. control pressure must be adhered to, since otherwise faulty switching and valve failure may result!
- The pressure dew point must be at least 15 °C under ambient and medium temperature and may not exceed 3 °C.
- The oil content of compressed air must remain constant during the life cycle.
- Use only the approved oils from AVENTICS, see chapter „Technical information“.
- At an ambient temperature of 40 °C the max. working pressure is 10 bar.
- Versions with voltage of less than 50 V DC do not have a protective ground.
- The control pressure must be at least as high as the working pressure.

Operational voltage			LED	Voltage tolerance		Power consumption	Switch-on power		Holding power	
DC	AC 50 Hz	AC 60 Hz		DC	AC 60 Hz		DC	AC 50 Hz	AC 60 Hz	AC 50 Hz
						W	VA	VA	VA	VA
12 V	-	-	-	-10% / +10%	-	1.6	-	-	-	-
24 V	-	-	-	-10% / +10%	-	1.6	-	-	-	-
24 V	-	-	Red	-10% / +10%	-	1.7	-	-	-	-
-	24 V	24 V	-	-	-10% / +15%	-	3	2.6	2.2	1.8
-	110 V	110 V	-	-	-10% / +15%	-	4.2	3.4	3	2.4
-	230 V	230 V	-	-	-10% / +15%	-	3.2	2.8	2.3	2
-	230 V	230 V	Red	-	-10% / +15%	-	3.4	3	2.5	2.2

Directional valves ▶ Electrically operated
3/2-directional valve, Series 579

▶ external ▶ Qn = 520 l/min ▶ NC ▶ pipe connection ▶ Compressed air connection output: Ø6x1 ▶ Electr. connection: Plug, ISO 15217, form C ▶ Can be assembled into blocks ▶ Pilot: external

	Type	Compressed air connection			Operational voltage			Power consumption	Holding power	Holding power	Part No.	
		Input	Output	Pilot connection	DC	AC 50 Hz	AC 60 Hz					
									[W]	[VA]		[VA]
	NC	Inlet valve	Ø 8x1	Ø6x1	Ø 4	12 V	-	-	1.6	-	-	5790570210
		Inlet valve	Ø 8x1			24 V	-	-	1.6	-	-	5790570220
		Inlet valve	Ø 8x1			24 V	-	-	1.7	-	-	5790570620
		Inlet valve	Ø 8x1			-	24 V	24 V	-	2.2	1.8	5790575220
		Inlet valve	Ø 8x1			-	110 V	110 V	-	3	2.4	5790575270
		Inlet valve	Ø 8x1			-	230 V	230 V	-	2.3	2	5790575280
		Inlet valve	Ø 8x1			-	230 V	230 V	-	2.5	2.2	5790575680
		Stacking valve	-			12 V	-	-	1.6	-	-	5791570210
		Stacking valve	-			24 V	-	-	1.6	-	-	5791570220
		Stacking valve	-			24 V	-	-	1.7	-	-	5791570620
		Stacking valve	-			-	24 V	24 V	-	2.2	1.8	5791575220
		Stacking valve	-			-	110 V	110 V	-	3	2.4	5791575270
Stacking valve	-	-	230 V	230 V	-	2.3	2	5791575280				
Stacking valve	-	-	230 V	230 V	-	2.5	2.2	5791575680				
	NC	Stacking valve, add. compressed air port	Ø6x1	Ø6x1	Ø 4	12 V	-	-	1.6	-	-	5796470210
		Stacking valve, add. compressed air port	Ø6x1			24 V	-	-	1.6	-	-	5796470220
		Stacking valve, add. compressed air port	Ø6x1			24 V	-	-	1.7	-	-	5796470620
		Stacking valve, add. compressed air port	Ø6x1			-	24 V	24 V	-	2.2	1.8	5796475220
		Stacking valve, add. compressed air port	Ø6x1			-	110 V	110 V	-	3	2.4	5796475270
		Stacking valve, add. compressed air port	Ø6x1			-	230 V	230 V	-	2.5	2.2	5796475680
		Stacking valve, add. compressed air port	Ø6x1			-	230 V	230 V	-	2.3	2	5796475280
		Stacking valve, add. compressed air port	Ø 8x1			-	230 V	230 V	-	2.3	2	5796575280
		Stacking valve, add. compressed air port	Ø 8x1			12 V	-	-	1.6	-	-	5796570210
		Stacking valve, add. compressed air port	Ø 8x1			24 V	-	-	1.6	-	-	5796570220
		Stacking valve, add. compressed air port	Ø 8x1			24 V	-	-	1.7	-	-	5796570620
		Stacking valve, add. compressed air port	Ø 8x1			-	24 V	24 V	-	2.2	1.8	5796575220
Stacking valve, add. compressed air port	Ø 8x1	-	110 V	110 V	-	3	2.4	5796575270				
Stacking valve, add. compressed air port	Ø 8x1	-	230 V	230 V	-	2.5	2.2	5796575680				
	NC	End valve	-	Ø6x1	Ø 4	12 V	-	-	1.6	-	-	5792570210
		End valve	-			24 V	-	-	1.6	-	-	5792570220
		End valve	-			24 V	-	-	1.7	-	-	5792570620
		End valve	-			-	24 V	24 V	-	2.2	1.8	5792575220
		End valve	-			-	110 V	110 V	-	3	2.4	5792575270
		End valve	-			-	230 V	230 V	-	2.3	2	5792575280
		End valve	-			-	230 V	230 V	-	2.5	2.2	5792575680

Directional valves ▶ Electrically operated
3/2-directional valve, Series 579

▶ external ▶ Qn = 520 l/min ▶ NC ▶ pipe connection ▶ Compressed air connection output: Ø6x1 ▶ Electr. connection: Plug, ISO 15217, form C ▶ Can be assembled into blocks ▶ Pilot: external

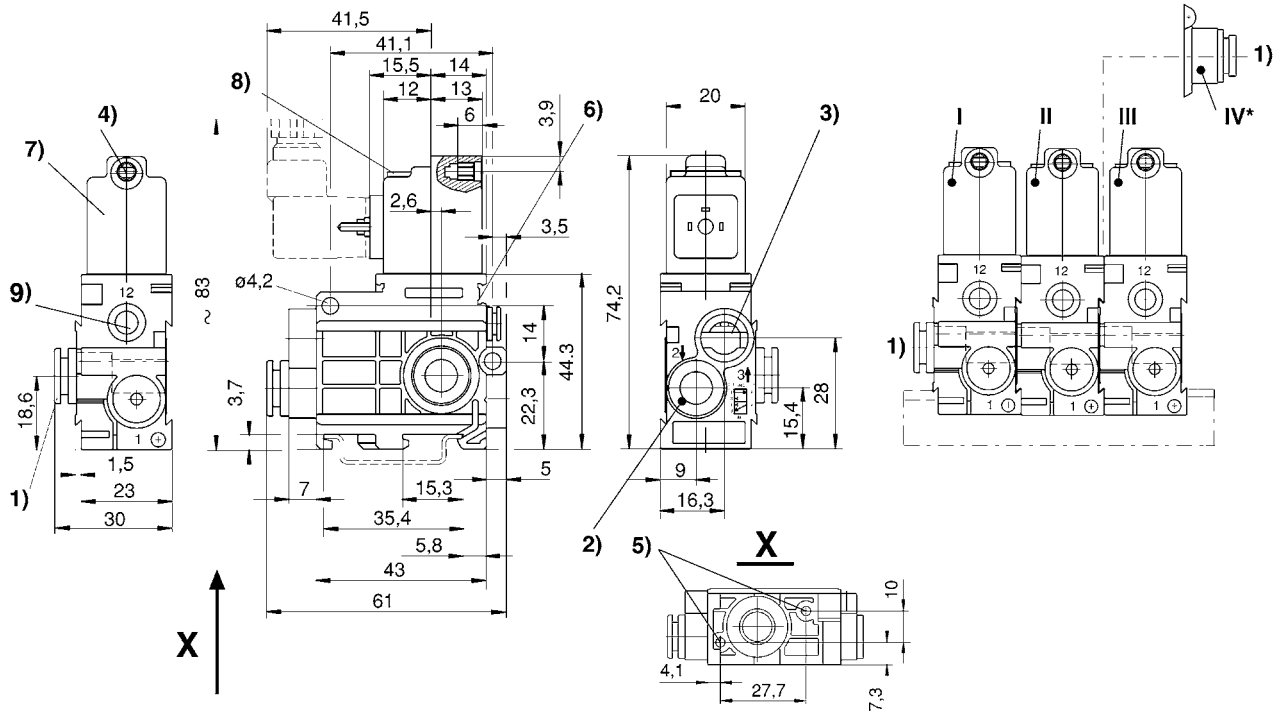
Part No.	Switch-on power		Qn	LED	Note
	AC 50 Hz	AC 60 Hz			
	[VA]	[VA]			
5790570210	-	-	520	-	-
5790570220	-	-		-	-
5790570620	-	-		Red	1)
5790575220	3	2.6		-	-
5790575270	4.2	3.4		-	-
5790575280	3.2	2.8		-	-
5790575680	3.4	3		Red	-
5791570210	-	-		-	-
5791570220	-	-		-	-
5791570620	-	-		Red	1)
5791575220	3	2.6		-	-
5791575270	4.2	3.4		-	-
5791575280	3.2	2.8		-	-
5791575680	3.4	3		Red	-
5796470210	-	-		520	-
5796470220	-	-	-		-
5796470620	-	-	Red		1)
5796475220	3	2.6	-		-
5796475270	4.2	3.4	-		-
5796475680	3.4	3	Red		-
5796475280	3.2	2.8	-		-
5796575280	3.2	2.8	-		-
5796570210	-	-	-		-
5796570220	-	-	-		-
5796570620	-	-	Red		1)
5796575220	3	2.6	-		-
5796575270	4.2	3.4	-		-
5796575680	3.4	3	Red		-
5792570210	-	-	520		-
5792570220	-	-		-	-
5792570620	-	-		Red	1)
5792575220	3	2.6		-	-
5792575270	4.2	3.4		-	-
5792575280	3.2	2.8		-	-
5792575680	3.4	3		Red	-

1) with LED and protective diode for reducing voltage peaks in the solenoid coil
Nominal flow Qn at 6 bar and Δp = 1 bar

3/2-directional valve, Series 579

▶ external ▶ $Q_n = 520 \text{ l/min}$ ▶ NC ▶ pipe connection ▶ Compressed air connection output: $\text{Ø}6 \times 1$ ▶ Electr. connection: Plug, ISO 15217, form C ▶ Can be assembled into blocks ▶ Pilot: external

Dimensions



- 1) Port 1
- 2) Port 2
- 3) Port 3, exhaust air must not be throttled
- 4) Core Ø for M5
- 5) Pocket hole 6 mm deep for 3.5 self-tapping screw
- 6) Mounting space for name plate
- 7) Coil can be rotated at 180° intervals
- 8) LED
- 9) Port 12

* Air connection module (item IV) mounted onto stacking valve (item II) permits additional air supply from right hand side. End valve (item III) not required.
I = Inlet valve, II = Stacking valve, III = End valve

D579_067

Directional valves ▶ Electrically operated

3/2-directional valve, Series 579

▶ external ▶ Qn = 520 l/min ▶ NO ▶ pipe connection ▶ Compressed air connection output: Ø6x1 ▶ Electr. connection: Plug, ISO 15217, form C ▶ Can be assembled into blocks ▶ Pilot: external



P579_067

Version	Poppet valve
Sealing principle	Soft sealing
Working pressure min./max.	0.5 bar / 8 bar
Control pressure min./max.	2 bar / 8 bar
Ambient temperature min./max.	-15 °C / +50 °C
Medium temperature min./max.	-15 °C / +50 °C
Medium	Compressed air
Max. particle size	5 µm
Oil content of compressed air	0 mg/m³ - 1 mg/m³
Protection class with connection	IP65
	Protected against polarity reversal
Duty cycle	100 %
Typ. switch-on time	18 ms
Typ. switch-off time	16 ms
Weight	0.093 kg
Materials:	
Housing	Polyamide
Seals	Acrylonitrile butadiene rubber; Polyurethane

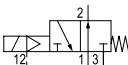
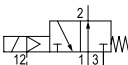
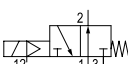
Technical Remarks

- The min. control pressure must be adhered to, since otherwise faulty switching and valve failure may result!
- The pressure dew point must be at least 15 °C under ambient and medium temperature and may not exceed 3 °C.
- The oil content of compressed air must remain constant during the life cycle.
- Use only the approved oils from AVENTICS, see chapter „Technical information“.
- At an ambient temperature of 40 °C the max. working pressure is 10 bar.
- Versions with voltage of less than 50 V DC do not have a protective ground.
- The control pressure must be at least as high as the working pressure.

Operational voltage			LED	Voltage tolerance		Power consumption	Switch-on power		Holding power	
DC	AC 50 Hz	AC 60 Hz		DC	AC 60 Hz		DC	AC 50 Hz	AC 60 Hz	AC 50 Hz
						W	VA	VA	VA	VA
12 V	-	-	-	-10% / +10%	-	1.6	-	-	-	-
24 V	-	-	-	-10% / +10%	-	1.6	-	-	-	-
24 V	-	-	Red	-10% / +10%	-	1.7	-	-	-	-
-	24 V	24 V	-	-	-10% / +15%	-	3	2.6	2.2	1.8
-	110 V	110 V	-	-	-10% / +15%	-	4.2	3.4	3	2.4
-	230 V	230 V	-	-	-10% / +15%	-	3.2	2.8	2.3	2
-	230 V	230 V	-	-	-10% / +15%	-	3.4	3	2.5	2.2
-	230 V	230 V	Red	-	-10% / +15%	-	3.4	3	2.5	2.2

3/2-directional valve, Series 579

▶ external ▶ Qn = 520 l/min ▶ NO ▶ pipe connection ▶ Compressed air connection output: Ø6x1 ▶ Electr. connection: Plug, ISO 15217, form C ▶ Can be assembled into blocks ▶ Pilot: external

		Type	Compressed air connection			Operational voltage			Power consumption	Holding power	Holding power	Part No.
			Input	Output	Pilot connection	DC	AC 50 Hz	AC 60 Hz				
									[W]	[VA]	[VA]	
	NO	Inlet valve	Ø 8x1	Ø6x1	Ø 4	12 V	-	-	1.6	-	-	5790520210
		Inlet valve	Ø 8x1			24 V	-	-	1.6	-	-	5790520220
		Inlet valve	Ø 8x1			24 V	-	-	1.7	-	-	5790520620
		Inlet valve	Ø 8x1			-	24 V	24 V	-	2.2	1.8	5790525220
		Inlet valve	Ø 8x1			-	110 V	110 V	-	3	2.4	5790525270
		Inlet valve	Ø 8x1			-	230 V	230 V	-	2.3	2	5790525280
		Inlet valve	Ø 8x1			-	230 V	230 V	-	2.5	2.2	5790525680
		Stacking valve	-			12 V	-	-	1.6	-	-	5791520210
		Stacking valve	-			24 V	-	-	1.6	-	-	5791520220
		Stacking valve	-			24 V	-	-	1.7	-	-	5791520620
		Stacking valve	-			-	24 V	24 V	-	2.2	1.8	5791525220
		Stacking valve	-			-	110 V	110 V	-	3	2.4	5791525270
Stacking valve	-	-	230 V	230 V	-	2.3	2	5791525280				
Stacking valve	-	-	230 V	230 V	-	2.5	2.2	5791525680				
	NO	Stacking valve, add. compressed air port	Ø6x1	Ø6x1	Ø 4	12 V	-	-	1.6	-	-	5796420210
			Ø6x1			24 V	-	-	1.6	-	-	5796420220
			Ø6x1			24 V	-	-	1.7	-	-	5796420620
			Ø6x1			-	24 V	24 V	-	2.2	1.8	5796425220
			Ø6x1			-	110 V	110 V	-	3	2.4	5796425270
			Ø6x1			-	230 V	230 V	-	2.3	2	5796425280
			Ø6x1			-	230 V	230 V	-	2.5	2.2	5796425680
			Ø 8x1			12 V	-	-	1.6	-	-	5796520210
			Ø 8x1			24 V	-	-	1.6	-	-	5796520220
			Ø 8x1			24 V	-	-	1.7	-	-	5796520620
			Ø 8x1			-	24 V	24 V	-	2.2	1.8	5796525220
			Ø 8x1			-	110 V	110 V	-	3	2.4	5796525270
Ø 8x1	-	230 V	230 V	-	2.3	2	5796525280					
Ø 8x1	-	230 V	230 V	-	2.5	2.2	5796525680					
	NO	End valve	-	Ø6x1	Ø 4	12 V	-	-	1.6	-	-	5792520210
			24 V			-	-	1.6	-	-	5792520220	
			24 V			-	-	1.7	-	-	5792520620	
			-			24 V	24 V	-	2.2	1.8	5792525220	
			-			110 V	110 V	-	3	2.4	5792525270	
			-			230 V	230 V	-	2.3	2	5792525280	
			-			230 V	230 V	-	2.5	2.2	5792525680	

Directional valves ▶ Electrically operated
3/2-directional valve, Series 579

▶ external ▶ Qn = 520 l/min ▶ NO ▶ pipe connection ▶ Compressed air connection output: Ø6x1 ▶ Electr. connection: Plug, ISO 15217, form C ▶ Can be assembled into blocks ▶ Pilot: external

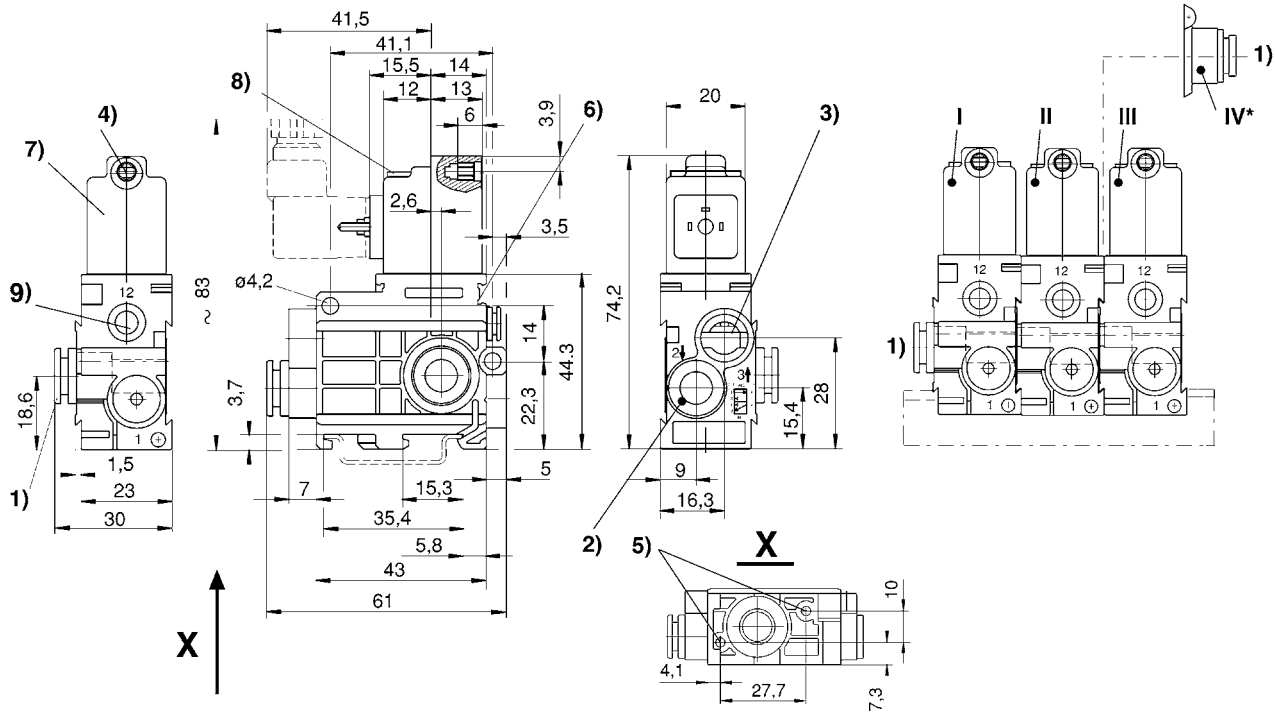
Part No.	Switch-on power		Qn	LED	Note
	AC 50 Hz	AC 60 Hz			
	[VA]	[VA]			
			[l/min]		
5790520210	-	-	520	-	-
5790520220	-	-		-	-
5790520620	-	-		Red	1)
5790525220	3	2.6		-	-
5790525270	4.2	3.4		-	-
5790525280	3.2	2.8		-	-
5790525680	3.4	3		-	-
5791520210	-	-		-	-
5791520220	-	-		-	-
5791520620	-	-		Red	1)
5791525220	3	2.6		-	-
5791525270	4.2	3.4		-	-
5791525280	3.2	2.8		-	-
5791525680	3.4	3		Red	-
5796420210	-	-	520	-	-
5796420220	-	-		-	-
5796420620	-	-		Red	1)
5796425220	3	2.6		-	-
5796425270	4.2	3.4		-	-
5796425280	3.2	2.8		-	-
5796425680	3.4	3		Red	-
5796520210	-	-		-	-
5796520220	-	-		-	-
5796520620	-	-		Red	1)
5796525220	3	2.6		-	-
5796525270	4.2	3.4		-	-
5796525280	3.2	2.8		-	-
5796525680	3.4	3		Red	-
5792520210	-	-	520	-	-
5792520220	-	-		-	-
5792520620	-	-		Red	1)
5792525220	3	2.6		-	-
5792525270	4.2	3.4		-	-
5792525280	3.2	2.8		-	-
5792525680	3.4	3	Red	-	

1) With LED and protective diode for reducing voltage peaks in the solenoid coil, protected against polarity reversal
Nominal flow Qn at 6 bar and $\Delta p = 1$ bar

3/2-directional valve, Series 579

▶ external ▶ $Q_n = 520 \text{ l/min}$ ▶ NO ▶ pipe connection ▶ Compressed air connection output: $\text{Ø}6 \times 1$ ▶ Electr. connection: Plug, ISO 15217, form C ▶ Can be assembled into blocks ▶ Pilot: external

Dimensions



D579_067

- 1) Port 1
- 2) Port 2
- 3) Port 3, exhaust air must not be throttled
- 4) Core Ø for M5
- 5) Pocket hole 6 mm deep for 3.5 self-tapping screw
- 6) Mounting space for name plate
- 7) Coil can be rotated at 180° intervals
- 8) LED
- 9) Port 12

* Air connection module (item IV) mounted onto stacking valve (item II) permits additional air supply from right hand side. End valve (item III) not required.
I = Inlet valve, II = Stacking valve, III = End valve

Directional valves ▶ Electrically operated

3/2-directional valve, Series 579

▶ Qn = 600 l/min ▶ NO ▶ pipe connection ▶ Compressed air connection output: Ø 8x1 ▶ Electr. connection: Plug, ISO 15217, form C ▶ Can be assembled into blocks ▶ Manual override: with detent ▶ Pilot: internal



P579_051

Version	Poppet valve
Sealing principle	Soft sealing
Working pressure min./max.	2 bar / 8 bar
Ambient temperature min./max.	-15 °C / +50 °C
Medium temperature min./max.	-15 °C / +50 °C
Medium	Compressed air
Max. particle size	5 µm
Oil content of compressed air	0 mg/m³ - 1 mg/m³
Protection class with connection	IP65
	Protected against polarity reversal
Duty cycle	100 %
Typ. switch-on time	18 ms
Typ. switch-off time	16 ms
Weight	0.093 kg
Materials:	
Housing	Polyamide
Seals	Acrylonitrile butadiene rubber; Polyurethane

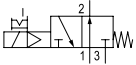
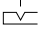
Technical Remarks

- The min. control pressure must be adhered to, since otherwise faulty switching and valve failure may result!
- The pressure dew point must be at least 15 °C under ambient and medium temperature and may not exceed 3 °C.
- The oil content of compressed air must remain constant during the life cycle.
- Use only the approved oils from AVENTICS, see chapter „Technical information“.
- At an ambient temperature of 40 °C the max. working pressure is 10 bar.
- Versions with voltage of less than 50 V DC do not have a protective ground.

Operational voltage			LED	Voltage tolerance		Power consumption	Switch-on power		Holding power	
DC	AC 50 Hz	AC 60 Hz		DC	AC 60 Hz		DC	AC 50 Hz	AC 60 Hz	AC 50 Hz
						W	VA	VA	VA	VA
12 V	-	-	-	-10% / +10%	-	1.6	-	-	-	-
-	24 V	24 V	-	-	-10% / +15%	-	3	2.6	2.2	1.8
24 V	-	-	-	-10% / +10%	-	1.6	-	-	-	-
24 V	-	-	Red	-10% / +10%	-	1.7	-	-	-	-
-	110 V	110 V	-	-	-10% / +15%	-	4.2	3.4	3	2.4
-	230 V	230 V	-	-	-10% / +15%	-	3.2	2.8	2.3	2
-	230 V	230 V	Red	-	-10% / +15%	-	3.4	3	2.5	2.2

3/2-directional valve, Series 579

► Qn = 600 l/min ► NO ► pipe connection ► Compressed air connection output: Ø 8x1 ► Electr. connection: Plug, ISO 15217, form C ► Can be assembled into blocks ► Manual override: with detent ► Pilot: internal

	MO	Type	Compressed air connection		Operational voltage			Power consumption	Hold-ing power	Hold-ing power	Part No.		
			Input	Output	DC	AC 50 Hz	AC 60 Hz	DC	AC 50 Hz	AC 60 Hz			
								[W]	[VA]	[VA]			
	NO		Inlet valve	Ø 8x1		12 V	-	-	1.6	-	-	5790610210	
			Inlet valve	Ø 8x1		-	24 V	24 V	-	2.2	1.8	5790615220	
			Inlet valve	Ø 8x1		24 V	-	-	-	1.6	-	-	5790610220
			Inlet valve	Ø 8x1		24 V	-	-	-	1.7	-	-	5790610620
			Inlet valve	Ø 8x1		-	110 V	110 V	-	-	3	2.4	5790615270
			Inlet valve	Ø 8x1		-	230 V	230 V	-	-	2.3	2	5790615280
			Inlet valve	Ø 8x1		-	230 V	230 V	-	-	2.5	2.2	5790615680
			Stacking valve	-		12 V	-	-	-	1.6	-	-	5791610210
			Stacking valve	-		24 V	-	-	-	1.6	-	-	5791610220
			Stacking valve	-		24 V	-	-	-	1.7	-	-	5791610620
			Stacking valve	-		-	24 V	24 V	-	-	2.2	1.8	5791615220
			Stacking valve	-		-	110 V	110 V	-	-	3	2.4	5791615270
			Stacking valve	-		-	230 V	230 V	-	-	2.3	2	5791615280
			Stacking valve	-		-	230 V	230 V	-	-	2.5	2.2	5791615680
			Stacking valve, add. compressed air port	Ø 8x1		12 V	-	-	-	1.6	-	-	5796610210
			Stacking valve, add. compressed air port	Ø 8x1		24 V	-	-	-	1.6	-	-	5796610220
			Stacking valve, add. compressed air port	Ø 8x1	Ø 8x1	24 V	-	-	-	1.7	-	-	5796610620
			Stacking valve, add. compressed air port	Ø 8x1		-	24 V	24 V	-	-	2.2	1.8	5796615220
			Stacking valve, add. compressed air port	Ø 8x1		-	110 V	110 V	-	-	3	2.4	5796615270
			Stacking valve, add. compressed air port	Ø 8x1		-	230 V	230 V	-	-	2.3	2	5796615280
			Stacking valve, add. compressed air port	Ø 8x1		-	230 V	230 V	-	-	2.5	2.2	5796615680
			End valve	-		12 V	-	-	-	1.6	-	-	5792610210
			End valve	-		24 V	-	-	-	1.6	-	-	5792610220
			End valve	-		24 V	-	-	-	1.7	-	-	5792610620
End valve	-		-	24 V	24 V	-	-	2.2	1.8	5792615220			
End valve	-		-	110 V	110 V	-	-	3	2.4	5792615270			
End valve	-		-	230 V	230 V	-	-	2.3	2	5792615280			
End valve	-		-	230 V	230 V	-	-	2.5	2.2	5792615680			

Directional valves ▶ Electrically operated
3/2-directional valve, Series 579

▶ Qn = 600 l/min ▶ NO ▶ pipe connection ▶ Compressed air connection output: Ø 8x1 ▶ Electr. connection: Plug, ISO 15217, form C ▶ Can be assembled into blocks ▶ Manual override: with detent ▶ Pilot: internal

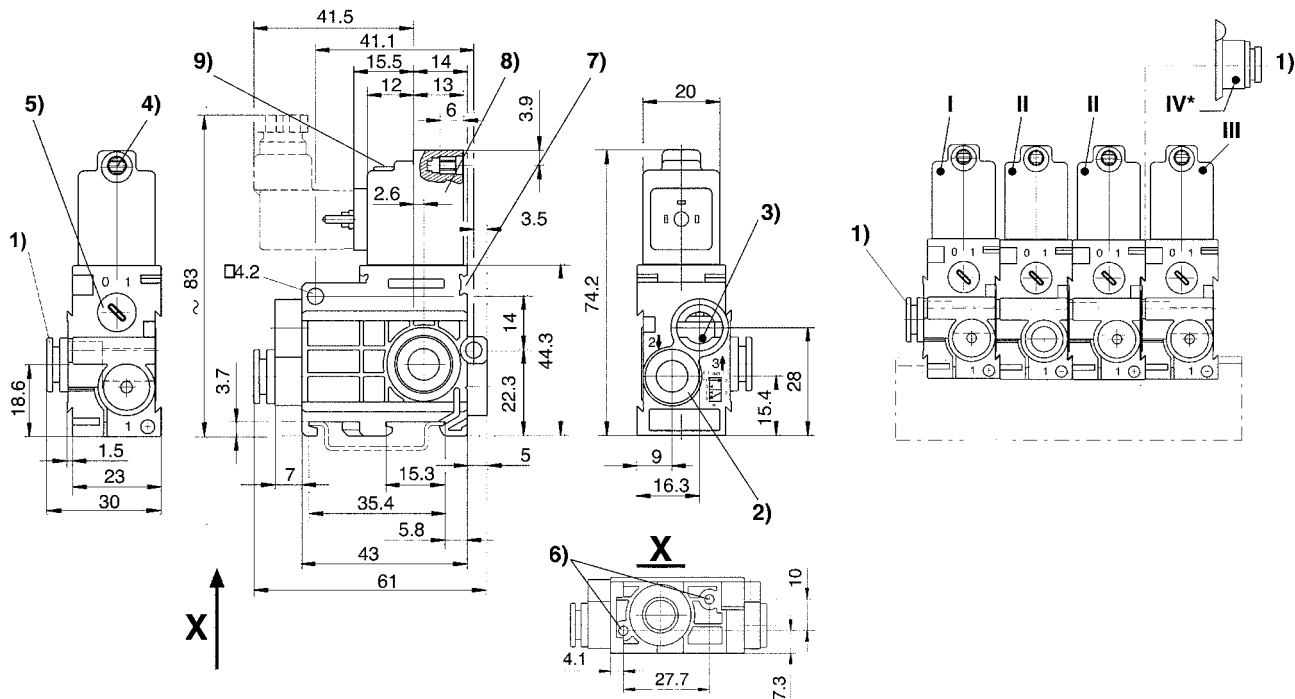
Part No.	Switch-on power		Qn	LED	Note
	AC 50 Hz	AC 60 Hz			
	[VA]	[VA]			
5790610210	-	-	600	-	-
5790615220	3	2.6		-	-
5790610220	-	-		-	-
5790610620	-	-		Red	1)
5790615270	4.2	3.4		-	-
5790615280	3.2	2.8		-	-
5790615680	3.4	3		Red	-
5791610210	-	-		-	-
5791610220	-	-		-	-
5791610620	-	-		Red	1)
5791615220	3	2.6		-	-
5791615270	4.2	3.4		-	-
5791615280	3.2	2.8		-	-
5791615680	3.4	3		Red	-
5796610210	-	-		-	-
5796610220	-	-		-	-
5796610620	-	-		Red	1)
5796615220	3	2.6		-	-
5796615270	4.2	3.4		-	-
5796615280	3.2	2.8		-	-
5796615680	3.4	3		Red	-
5792610210	-	-		-	-
5792610220	-	-		-	-
5792610620	-	-		Red	1)
5792615220	3	2.6		-	-
5792615270	4.2	3.4		-	-
5792615280	3.2	2.8		-	-
5792615680	3.4	3		Red	-

1) With LED and protective diode for reducing voltage peaks in the solenoid coil, protected against polarity reversal
 Nominal flow Qn at 6 bar and Δp = 1 bar
 MO = Manual override

3/2-directional valve, Series 579

▶ $Q_n = 600$ l/min ▶ NO ▶ pipe connection ▶ Compressed air connection output: $\varnothing 8 \times 1$ ▶ Electr. connection: Plug, ISO 15217, form C ▶ Can be assembled into blocks ▶ Manual override: with detent ▶ Pilot: internal

Dimensions



- 1) Port 1
- 2) Port 2
- 3) Port 3, exhaust air must not be throttled
- 4) Core \varnothing for M5
- 5) Manual override
- 6) Pocket hole 6 mm deep for 3.5 self-tapping screw
- 7) Mounting space for name plate
- 8) Coil can be rotated at 180° intervals
- 9) LED

* Air conn. module (item IV) mounted onto stacking valve (item II) permits additional air supply from right hand side. End valve (item III) not required.
I = Inlet valve, II = Stacking valve, III = End valve

D579_051_a

Directional valves ▶ Electrically operated

3/2-directional valve, Series 579

▶ external ▶ Qn = 600 l/min ▶ NO ▶ pipe connection ▶ Compressed air connection output: Ø 8x1 ▶ Electr. connection: Plug, ISO 15217, form C ▶ Can be assembled into blocks ▶ Pilot: external



P579_067

Version	Poppet valve
Sealing principle	Soft sealing
Working pressure min./max.	0.5 bar / 8 bar
Control pressure min./max.	2 bar / 8 bar
Ambient temperature min./max.	-15 °C / +50 °C
Medium temperature min./max.	-15 °C / +50 °C
Medium	Compressed air
Max. particle size	5 µm
Oil content of compressed air	0 mg/m³ - 1 mg/m³
Protection class with connection	IP65
	Protected against polarity reversal
Duty cycle	100 %
Typ. switch-on time	18 ms
Typ. switch-off time	16 ms
Weight	0.093 kg
Materials:	
Housing	Polyamide
Seals	Acrylonitrile butadiene rubber; Polyurethane

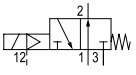
Technical Remarks

- The min. control pressure must be adhered to, since otherwise faulty switching and valve failure may result!
- The pressure dew point must be at least 15 °C under ambient and medium temperature and may not exceed 3 °C.
- The oil content of compressed air must remain constant during the life cycle.
- Use only the approved oils from AVENTICS, see chapter „Technical information“.
- At an ambient temperature of 40 °C the max. working pressure is 10 bar.
- Versions with voltage of less than 50 V DC do not have a protective ground.
- The control pressure must be at least as high as the working pressure.

Operational voltage			LED	Voltage tolerance		Power consumption	Switch-on power		Holding power	
DC	AC 50 Hz	AC 60 Hz		DC	AC 60 Hz		DC	AC 50 Hz	AC 60 Hz	AC 50 Hz
						W	VA	VA	VA	VA
12 V	-	-	-	-10% / +10%	-	1.6	-	-	-	-
24 V	-	-	-	-10% / +10%	-	1.6	-	-	-	-
24 V	-	-	Red	-10% / +10%	-	1.7	-	-	-	-
-	24 V	24 V	-	-	-10% / +15%	-	3	2.6	2.2	1.8
-	110 V	110 V	-	-	-10% / +15%	-	4.2	3.4	3	2.4
-	230 V	230 V	-	-	-10% / +15%	-	3.2	2.8	2.3	2
-	230 V	230 V	Red	-	-10% / +15%	-	3.4	3	2.5	2.2

3/2-directional valve, Series 579

► external ► Qn = 600 l/min ► NO ► pipe connection ► Compressed air connection output: Ø 8x1 ► Electr. connection: Plug, ISO 15217, form C ► Can be assembled into blocks ► Pilot: external

	Type	Compressed air connection			Operational voltage			Power consumption	Holding power	Holding power	Part No.
		Input	Output	Pilot connection	DC	AC 50 Hz	AC 60 Hz				
								[W]	[VA]	[VA]	
	Inlet valve	Ø 8x1			12 V	-	-	1.6	-	-	5790620210
	Inlet valve	Ø 8x1			24 V	-	-	1.6	-	-	5790620220
	Inlet valve	Ø 8x1			24 V	-	-	1.7	-	-	5790620620
	Inlet valve	Ø 8x1			-	24 V	24 V	-	2.2	1.8	5790625220
	Inlet valve	Ø 8x1			-	110 V	110 V	-	3	2.4	5790625270
	Inlet valve	Ø 8x1			-	230 V	230 V	-	2.3	2	5790625280
	Inlet valve	Ø 8x1			-	230 V	230 V	-	2.5	2.2	5790625680
	Stacking valve	-			12 V	-	-	1.6	-	-	5791620210
	Stacking valve	-			24 V	-	-	1.6	-	-	5791620220
	Stacking valve	-			24 V	-	-	1.7	-	-	5791620620
	Stacking valve	-			-	24 V	24 V	-	2.2	1.8	5791625220
	Stacking valve	-			-	110 V	110 V	-	3	2.4	5791625270
	Stacking valve	-			-	230 V	230 V	-	2.3	2	5791625280
	Stacking valve	-			-	230 V	230 V	-	2.5	2.2	5791625680
	Stacking valve, add. compressed air port	Ø 8x1			12 V	-	-	1.6	-	-	5796620210
	Stacking valve, add. compressed air port	Ø 8x1			24 V	-	-	1.6	-	-	5796620220
	Stacking valve, add. compressed air port	Ø 8x1	Ø 8x1	Ø 4	24 V	-	-	1.7	-	-	5796620620
	Stacking valve, add. compressed air port	Ø 8x1			-	24 V	24 V	-	2.2	1.8	5796625220
	Stacking valve, add. compressed air port	Ø 8x1			-	110 V	110 V	-	3	2.4	5796625270
	Stacking valve, add. compressed air port	Ø 8x1			-	230 V	230 V	-	2.3	2	5796625280
	Stacking valve, add. compressed air port	Ø 8x1			-	230 V	230 V	-	2.5	2.2	5796625680
	End valve	-			12 V	-	-	1.6	-	-	5792620210
	End valve	-			24 V	-	-	1.6	-	-	5792620220
	End valve	-			24 V	-	-	1.7	-	-	5792620620
End valve	-			-	24 V	24 V	-	2.2	1.8	5792625220	
End valve	-			-	110 V	110 V	-	3	2.4	5792625270	
End valve	-			-	230 V	230 V	-	2.3	2	5792625280	
End valve	-			-	230 V	230 V	-	2.5	2.2	5792625680	

Directional valves ▶ Electrically operated
3/2-directional valve, Series 579

▶ external ▶ Qn = 600 l/min ▶ NO ▶ pipe connection ▶ Compressed air connection output: Ø 8x1 ▶ Electr. connection: Plug, ISO 15217, form C ▶ Can be assembled into blocks ▶ Pilot: external

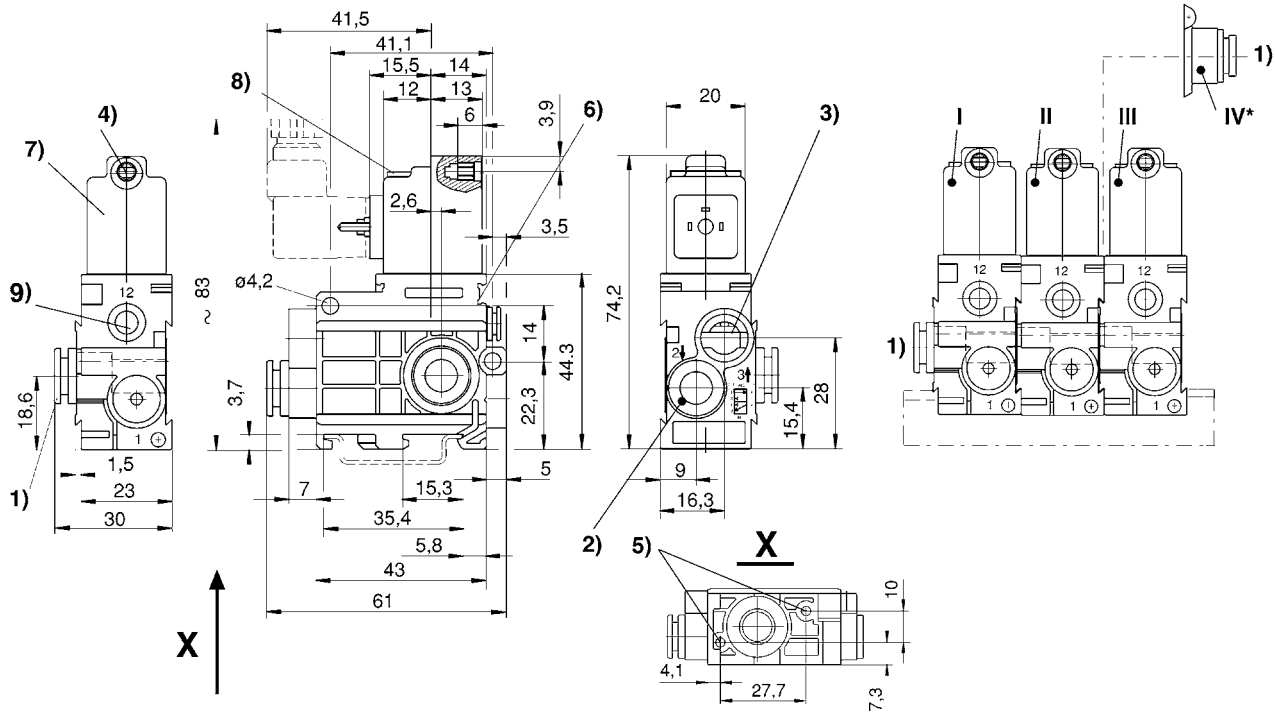
Part No.	Switch-on power		Qn	LED	Note
	AC 50 Hz	AC 60 Hz			
	[VA]	[VA]			
5790620210	-	-	600	-	-
5790620220	-	-		-	-
5790620620	-	-		Red	1)
5790625220	3	2.6		-	-
5790625270	4.2	3.4		-	-
5790625280	3.2	2.8		-	-
5790625680	3.4	3		Red	-
5791620210	-	-		-	-
5791620220	-	-		-	-
5791620620	-	-		Red	1)
5791625220	3	2.6		-	-
5791625270	4.2	3.4		-	-
5791625280	3.2	2.8		-	-
5791625680	3.4	3		Red	-
5796620210	-	-		-	-
5796620220	-	-		-	-
5796620620	-	-		Red	1)
5796625220	3	2.6		-	-
5796625270	4.2	3.4		-	-
5796625280	3.2	2.8		-	-
5796625680	3.4	3		Red	-
5792620210	-	-		-	-
5792620220	-	-		-	-
5792620620	-	-		Red	1)
5792625220	3	2.6		-	-
5792625270	4.2	3.4		-	-
5792625280	3.2	2.8		-	-
5792625680	3.4	3		Red	-

1) With LED and protective diode for reducing voltage peaks in the solenoid coil, protected against polarity reversal
Nominal flow Qn at 6 bar and $\Delta p = 1$ bar

3/2-directional valve, Series 579

▶ external ▶ $Q_n = 600 \text{ l/min}$ ▶ NO ▶ pipe connection ▶ Compressed air connection output: $\varnothing 8 \times 1$ ▶ Electr. connection: Plug, ISO 15217, form C ▶ Can be assembled into blocks ▶ Pilot: external

Dimensions



D579_067

- 1) Port 1
- 2) Port 2
- 3) Port 3, exhaust air must not be throttled
- 4) Core \varnothing for M5
- 5) Pocket hole 6 mm deep for 3.5 self-tapping screw
- 6) Mounting space for name plate
- 7) Coil can be rotated at 180° intervals
- 8) LED
- 9) Port 12

* Air connection module (item IV) mounted onto stacking valve (item II) permits additional air supply from right hand side. End valve (item III) not required.
I = Inlet valve, II = Stacking valve, III = End valve

Directional valves ▶ Electrically operated

3/2-directional valve, Series 579

▶ Qn = 850 l/min ▶ NC ▶ pipe connection ▶ Compressed air connection output: Ø 8x1 ▶ Electr. connection: Plug, ISO 15217, form C ▶ Can be assembled into blocks ▶ Manual override: with detent ▶ Pilot: internal



P579_051

Version	Poppet valve
Sealing principle	Soft sealing
Working pressure min./max.	2 bar / 8 bar
Ambient temperature min./max.	-15 °C / +50 °C
Medium temperature min./max.	-15 °C / +50 °C
Medium	Compressed air
Max. particle size	5 µm
Oil content of compressed air	0 mg/m³ - 1 mg/m³
Protection class with connection	IP65
	Protected against polarity reversal
Duty cycle	100 %
Typ. switch-on time	18 ms
Typ. switch-off time	16 ms
Weight	0.093 kg
Materials:	
Housing	Polyamide
Seals	Acrylonitrile butadiene rubber; Polyurethane

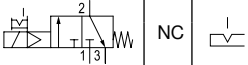
Technical Remarks

- The min. control pressure must be adhered to, since otherwise faulty switching and valve failure may result!
- The pressure dew point must be at least 15 °C under ambient and medium temperature and may not exceed 3 °C.
- The oil content of compressed air must remain constant during the life cycle.
- Use only the approved oils from AVENTICS, see chapter „Technical information“.
- At an ambient temperature of 40 °C the max. working pressure is 10 bar.
- Versions with voltage of less than 50 V DC do not have a protective ground.

Operational voltage			LED	Voltage tolerance		Power consumption	Switch-on power		Holding power	
DC	AC 50 Hz	AC 60 Hz		DC	AC 60 Hz		DC	AC 50 Hz	AC 60 Hz	AC 50 Hz
						W	VA	VA	VA	VA
12 V	-	-	-	-10% / +10%	-	1.6	-	-	-	-
24 V	-	-	-	-10% / +10%	-	1.6	-	-	-	-
24 V	-	-	Red	-10% / +10%	-	1.7	-	-	-	-
-	24 V	24 V	-	-	-10% / +15%	-	3	2.6	2.2	1.8
-	110 V	110 V	-	-	-10% / +15%	-	4.2	3.4	3	2.4
-	230 V	230 V	-	-	-10% / +15%	-	3.2	2.8	2.3	2
-	230 V	230 V	Red	-	-10% / +15%	-	3.4	3	2.5	2.2

3/2-directional valve, Series 579

► $Q_n = 850 \text{ l/min}$ ► NC ► pipe connection ► Compressed air connection output: $\varnothing 8 \times 1$ ► Electr. connection: Plug, ISO 15217, form C ► Can be assembled into blocks ► Manual override: with detent ► Pilot: internal

	MO	Type	Compressed air connection		Operational voltage			Power consumption	Hold-ing power	Hold-ing power	Part No.
			Input	Output	DC	AC 50 Hz	AC 60 Hz	DC	AC 50 Hz	AC 60 Hz	
	NC	Inlet valve	$\varnothing 8 \times 1$		12 V	-	-	1.6	-	-	5790600210
		Inlet valve	$\varnothing 8 \times 1$		24 V	-	-	1.6	-	-	5790600220
		Inlet valve	$\varnothing 8 \times 1$		24 V	-	-	1.7	-	-	5790600620
		Inlet valve	$\varnothing 8 \times 1$		-	24 V	24 V	-	2.2	1.8	5790605220
		Inlet valve	$\varnothing 8 \times 1$		-	110 V	110 V	-	3	2.4	5790605270
		Inlet valve	$\varnothing 8 \times 1$		-	230 V	230 V	-	2.3	2	5790605280
		Inlet valve	$\varnothing 8 \times 1$		-	230 V	230 V	-	2.5	2.2	5790605680
		Stacking valve	-		12 V	-	-	1.6	-	-	5791600210
		Stacking valve	-		24 V	-	-	1.6	-	-	5791600220
		Stacking valve	-		24 V	-	-	1.7	-	-	5791600620
		Stacking valve	-		-	24 V	24 V	-	2.2	1.8	5791605220
		Stacking valve	-		-	110 V	110 V	-	3	2.4	5791605270
		Stacking valve	-		-	230 V	230 V	-	2.3	2	5791605280
		Stacking valve	-		-	230 V	230 V	-	2.5	2.2	5791605680
		Stacking valve, add. compressed air port	$\varnothing 8 \times 1$		12 V	-	-	1.6	-	-	5796600210
		Stacking valve, add. compressed air port	$\varnothing 8 \times 1$		24 V	-	-	1.6	-	-	5796600220
		Stacking valve, add. compressed air port	$\varnothing 8 \times 1$	$\varnothing 8 \times 1$	24 V	-	-	1.7	-	-	5796600620
		Stacking valve, add. compressed air port	$\varnothing 8 \times 1$		-	24 V	24 V	-	2.2	1.8	5796605220
		Stacking valve, add. compressed air port	$\varnothing 8 \times 1$		-	110 V	110 V	-	3	2.4	5796605270
		Stacking valve, add. compressed air port	$\varnothing 8 \times 1$		-	230 V	230 V	-	2.3	2	5796605280
		Stacking valve, add. compressed air port	$\varnothing 8 \times 1$		-	230 V	230 V	-	2.5	2.2	5796605680
		End valve	-		12 V	-	-	1.6	-	-	5792600210
		End valve	-		24 V	-	-	1.6	-	-	5792600220
		End valve	-		24 V	-	-	1.7	-	-	5792600620
		End valve	-		-	24 V	24 V	-	2.2	1.8	5792605220
		End valve	-		-	110 V	110 V	-	3	2.4	5792605270
End valve	-		-	230 V	230 V	-	2.3	2	5792605280		
End valve	-		-	230 V	230 V	-	2.5	2.2	5792605680		

Directional valves ▶ Electrically operated

3/2-directional valve, Series 579

▶ Qn = 850 l/min ▶ NC ▶ pipe connection ▶ Compressed air connection output: Ø 8x1 ▶ Electr. connection: Plug, ISO 15217, form C ▶ Can be assembled into blocks ▶ Manual override: with detent ▶ Pilot: internal

Part No.	Switch-on power	Switch-on power	Qn	Control pressure min./max.	LED	Note	
	AC 50 Hz	AC 60 Hz					
	[VA]	[VA]	[l/min]	[bar]			
5790600210	-	-	850	-	-	-	
5790600220	-	-		-	-	-	
5790600620	-	-		-	-	Red	1)
5790605220	3	2.6		-	-	-	-
5790605270	4.2	3.4		-	-	-	-
5790605280	3.2	2.8		-	-	-	-
5790605680	3.4	3		-	-	Red	-
5791600210	-	-		-	-	-	-
5791600220	-	-		-	-	-	-
5791600620	-	-		-	-	Red	1)
5791605220	3	2.6		-	-	-	-
5791605270	4.2	3.4		-	-	-	-
5791605280	3.2	2.8		-	-	-	-
5791605680	3.4	3		-	-	Red	-
5796600210	-	-		-	-- / 8	-	-
5796600220	-	-		-	-- / 8	-	-
5796600620	-	-		-	-- / 8	Red	1)
5796605220	3	2.6		-	-- / 8	-	-
5796605270	4.2	3.4		-	-- / 8	-	-
5796605280	3.2	2.8		-	-- / 8	-	-
5796605680	3.4	3		-	-- / 8	Red	-
5792600210	-	-		-	-	-	-
5792600220	-	-		-	-	-	-
5792600620	-	-		-	-	Red	1)
5792605220	3	2.6		-	-	-	-
5792605270	4.2	3.4		-	-	-	-
5792605280	3.2	2.8		-	-	-	-
5792605680	3.4	3		-	-	Red	-

MO = Manual override

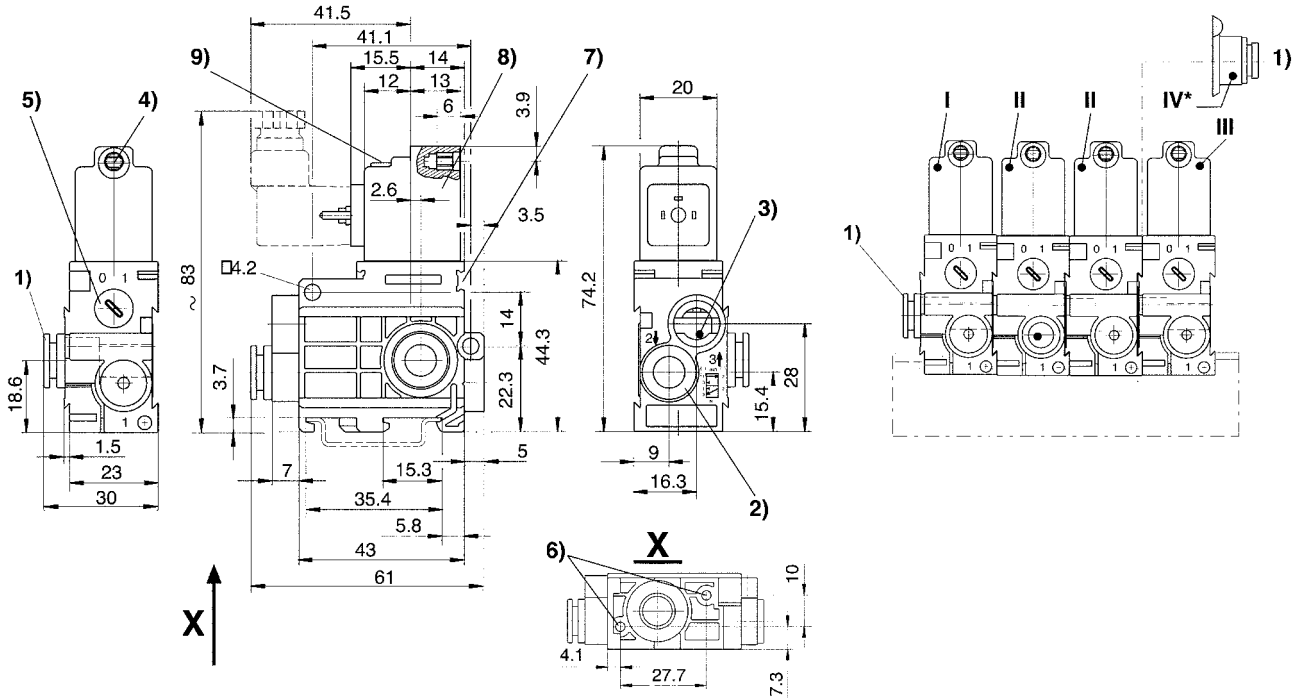
1) With LED and protective diode for reducing voltage peaks in the solenoid coil, protected against polarity reversal

Nominal flow Qn at 6 bar and Δp = 1 bar

3/2-directional valve, Series 579

▶ $Q_n = 850 \text{ l/min}$ ▶ NC ▶ pipe connection ▶ Compressed air connection output: $\varnothing 8 \times 1$ ▶ Electr. connection: Plug, ISO 15217, form C ▶ Can be assembled into blocks ▶ Manual override: with detent ▶ Pilot: internal

Dimensions



- 1) Port 1
- 2) Port 2
- 3) Port 3, exhaust air must not be throttled
- 4) Core \varnothing for M5
- 5) Manual override
- 6) Pocket hole 6 mm deep for 3.5 self-tapping screw
- 7) Mounting space for name plate
- 8) Coil can be rotated at 180° intervals
- 9) LED

* Air conn. module (item IV) mounted onto stacking valve (item II) permits additional air supply from right hand side. End valve (item III) not required.
I = Inlet valve, II = Stacking valve, III = End valve

D579_051

Directional valves ▶ Electrically operated

3/2-directional valve, Series 579

▶ external ▶ Qn = 850 l/min ▶ NC ▶ pipe connection ▶ Compressed air connection output: Ø 8x1 ▶ Electr. connection: Plug, ISO 15217, form C ▶ Can be assembled into blocks ▶ Pilot: external



P579_067

Version	Poppet valve
Sealing principle	Soft sealing
Working pressure min./max.	0.5 bar / 8 bar
Control pressure min./max.	2 bar / 8 bar
Ambient temperature min./max.	-15 °C / +50 °C
Medium temperature min./max.	-15 °C / +50 °C
Medium	Compressed air
Max. particle size	5 µm
Oil content of compressed air	0 mg/m³ - 1 mg/m³
Protection class with connection	IP65
	Protected against polarity reversal
Duty cycle	100 %
Typ. switch-on time	18 ms
Typ. switch-off time	16 ms
Weight	0.093 kg
Materials:	
Housing	Polyamide
Seals	Acrylonitrile butadiene rubber; Polyurethane

Technical Remarks

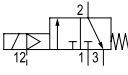
- The min. control pressure must be adhered to, since otherwise faulty switching and valve failure may result!
- The pressure dew point must be at least 15 °C under ambient and medium temperature and may not exceed 3 °C.
- The oil content of compressed air must remain constant during the life cycle.
- Use only the approved oils from AVENTICS, see chapter „Technical information“.
- At an ambient temperature of 40 °C the max. working pressure is 10 bar.
- Versions with voltage of less than 50 V DC do not have a protective ground.
- The control pressure must be at least as high as the working pressure.

Operational voltage			LED	Voltage tolerance		Power consumption	Switch-on power		Holding power	
DC	AC 50 Hz	AC 60 Hz		DC	AC 60 Hz		DC	AC 50 Hz	AC 60 Hz	AC 50 Hz
						W	VA	VA	VA	VA
12 V	-	-	-	-10% / +10%	-	1.6	-	-	-	-
24 V	-	-	-	-10% / +10%	-	1.6	-	-	-	-
24 V	-	-	Red	-10% / +10%	-	1.7	-	-	-	-
-	24 V	24 V	-	-	-10% / +15%	-	3	2.6	2.2	1.8
-	110 V	110 V	-	-	-10% / +15%	-	4.2	3.4	3	2.4
-	230 V	230 V	-	-	-10% / +15%	-	3.2	2.8	2.3	2
-	230 V	230 V	Red	-	-10% / +15%	-	3.4	3	2.5	2.2

Directional valves ► Electrically operated

3/2-directional valve, Series 579

► external ► Qn = 850 l/min ► NC ► pipe connection ► Compressed air connection output: Ø 8x1 ► Electr. connection: Plug, ISO 15217, form C ► Can be assembled into blocks ► Pilot: external

	Type	Compressed air connection			Operational voltage			Power consumption	Holding power	Holding power	Part No.
		Input	Output	Pilot connection	DC	AC 50 Hz	AC 60 Hz				
								[W]	[VA]	[VA]	
	Inlet valve	Ø 8x1			12 V	-	-	1.6	-	-	5790670210
	Inlet valve	Ø 8x1			24 V	-	-	1.6	-	-	5790670220
	Stacking valve	Ø 8x1			24 V	-	-	1.7	-	-	5790670620
	Inlet valve	Ø 8x1			-	24 V	24 V	-	2.2	1.8	5790675220
	Inlet valve	Ø 8x1			-	110 V	110 V	-	3	2.4	5790675270
	Inlet valve	Ø 8x1			-	230 V	230 V	-	2.3	2	5790675280
	Inlet valve	Ø 8x1			-	230 V	230 V	-	2.5	2.2	5790675680
	Stacking valve	-			12 V	-	-	1.6	-	-	5791670210
	Stacking valve	-			24 V	-	-	1.6	-	-	5791670220
	Stacking valve	-			24 V	-	-	1.7	-	-	5791670620
	Stacking valve	-			-	24 V	24 V	-	2.2	1.8	5791675220
	Stacking valve	-			-	110 V	110 V	-	3	2.4	5791675270
	Stacking valve	-			-	230 V	230 V	-	2.3	2	5791675280
	Stacking valve	-			-	230 V	230 V	-	2.5	2.2	5791675680
	Stacking valve, add. compressed air port	Ø 8x1			12 V	-	-	1.6	-	-	5796670210
	Stacking valve, add. compressed air port	Ø 8x1	Ø 8x1	Ø 4	24 V	-	-	1.6	-	-	5796670220
	Stacking valve, add. compressed air port	Ø 8x1			24 V	-	-	1.7	-	-	5796670620
	Stacking valve, add. compressed air port	Ø 8x1			-	24 V	24 V	-	2.2	1.8	5796675220
	Stacking valve, add. compressed air port	Ø 8x1			-	110 V	110 V	-	3	2.4	5796675270
	Stacking valve, add. compressed air port	Ø 8x1			-	230 V	230 V	-	2.3	2	5796675280
	Stacking valve, add. compressed air port	Ø 8x1			-	230 V	230 V	-	2.5	2.2	5796675680
	End valve	-			12 V	-	-	1.6	-	-	5792670210
	End valve	-			24 V	-	-	1.6	-	-	5792670220
	End valve	-			24 V	-	-	1.7	-	-	5792670620
	End valve	-			-	24 V	24 V	-	2.2	1.8	5792675220
	End valve	-			-	110 V	110 V	-	3	2.4	5792675270
End valve	-			-	230 V	230 V	-	2.3	2	5792675280	
End valve	-			-	230 V	230 V	-	2.5	2.2	5792675680	

Directional valves ▶ Electrically operated
3/2-directional valve, Series 579

▶ external ▶ Qn = 850 l/min ▶ NC ▶ pipe connection ▶ Compressed air connection output: Ø 8x1 ▶ Electr. connection: Plug, ISO 15217, form C ▶ Can be assembled into blocks ▶ Pilot: external

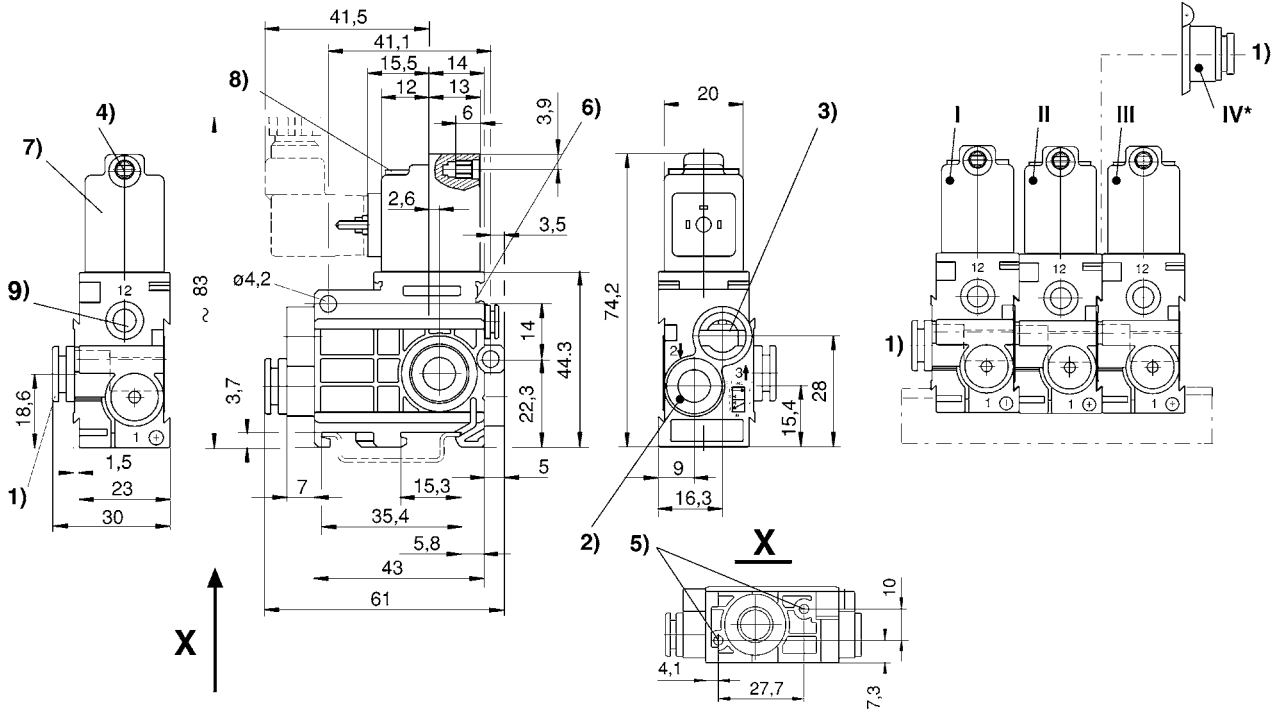
Part No.	Switch-on power		Qn	LED	Note
	AC 50 Hz	AC 60 Hz			
	[VA]	[VA]			
5790670210	-	-	850	-	-
5790670220	-	-		-	-
5790670620	-	-		Red	1)
5790675220	3	2.6		-	-
5790675270	4.2	3.4		-	-
5790675280	3.2	2.8		-	-
5790675680	3.4	3		Red	-
5791670210	-	-		-	-
5791670220	-	-		-	-
5791670620	-	-		Red	1)
5791675220	3	2.6		-	-
5791675270	4.2	3.4		-	-
5791675280	3.2	2.8		-	-
5791675680	3.4	3		Red	-
5796670210	-	-		-	-
5796670220	-	-		-	-
5796670620	-	-		Red	1)
5796675220	3	2.6		-	-
5796675270	4.2	3.4		-	-
5796675280	3.2	2.8		-	-
5796675680	3.4	3		Red	-
5792670210	-	-		-	-
5792670220	-	-		-	-
5792670620	-	-		Red	1)
5792675220	3	2.6		-	-
5792675270	4.2	3.4		-	-
5792675280	3.2	2.8		-	-
5792675680	3.4	3		Red	-

1) with LED and protective diode for reducing voltage peaks in the solenoid coil
Nominal flow Qn at 6 bar and Δp = 1 bar

3/2-directional valve, Series 579

▶ external ▶ $Q_n = 850 \text{ l/min}$ ▶ NC ▶ pipe connection ▶ Compressed air connection output: $\varnothing 8 \times 1$ ▶ Electr. connection: Plug, ISO 15217, form C ▶ Can be assembled into blocks ▶ Pilot: external

Dimensions



D579_067

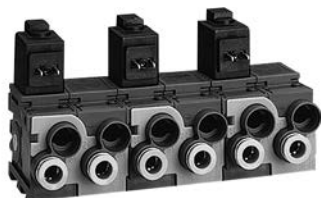
- 1) Port 1
- 2) Port 2
- 3) Port 3, exhaust air must not be throttled
- 4) Core \varnothing for M5
- 5) Pocket hole 6 mm deep for 3.5 self-tapping screw
- 6) Mounting space for name plate
- 7) Coil can be rotated at 180° intervals
- 8) LED
- 9) Port 12

* Air connection module (item IV) mounted onto stacking valve (item II) permits additional air supply from right hand side. End valve (item III) not required.
I = Inlet valve, II = Stacking valve, III = End valve

Directional valves ▶ Electrically operated

5/2-directional valve, Series 579

▶ Qn = 520 l/min ▶ pipe connection ▶ Compressed air connection output: Ø6x1 ▶ Electr. connection: Plug, ISO 15217, form C ▶ Can be assembled into blocks ▶ Manual override: with detent ▶ Pilot: internal



P579_080

Version	Poppet valve
Sealing principle	Soft sealing
Working pressure min./max.	2 bar / 8 bar
Ambient temperature min./max.	-15 °C / +50 °C
Medium temperature min./max.	-15 °C / +50 °C
Medium	Compressed air
Max. particle size	5 µm
Oil content of compressed air	0 mg/m³ - 1 mg/m³
Protection class with connection	IP65
	Protected against polarity reversal
Duty cycle	100 %
Typ. switch-on time	27 ms
Typ. switch-off time	28 ms
Weight	0.133 kg
Materials:	
Housing	Polyamide
Seals	Acrylonitrile butadiene rubber; Polyurethane

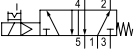

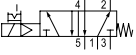


Technical Remarks

- The min. control pressure must be adhered to, since otherwise faulty switching and valve failure may result!
- The pressure dew point must be at least 15 °C under ambient and medium temperature and may not exceed 3 °C.
- The oil content of compressed air must remain constant during the life cycle.
- Use only the approved oils from AVENTICS, see chapter „Technical information“.
- At an ambient temperature of 40 °C the max. working pressure is 10 bar.
- Versions with voltage of less than 50 V DC do not have a protective ground.

Operational voltage			LED	Voltage tolerance		Power consumption	Switch-on power		Holding power	
DC	AC 50 Hz	AC 60 Hz		DC	AC 60 Hz		DC	AC 50 Hz	AC 60 Hz	AC 50 Hz
						W	VA	VA	VA	VA
12 V	-	-	-	-10% / +10%	-	1.6	-	-	-	-
24 V	-	-	-	-10% / +10%	-	1.6	-	-	-	-
24 V	-	-	Red	-10% / +10%	-	1.7	-	-	-	-
-	24 V	24 V	-	-	-10% / +15%	-	3	2.6	2.2	1.8
-	110 V	110 V	-	-	-10% / +15%	-	4.2	3.4	3	2.4
-	230 V	230 V	-	-	-10% / +15%	-	3.2	2.8	2.3	2
-	230 V	230 V	Red	-	-10% / +15%	-	3.4	3	2.5	2.2

5/2-directional valve, Series 579

► Qn = 520 l/min ► pipe connection ► Compressed air connection output: Ø6x1 ► Electr. connection: Plug, ISO 15217, form C ► Can be assembled into blocks ► Manual override: with detent ► Pilot: internal

	MO	Type	Compressed air connection		Operational voltage			Power consumption	Hold-ing power	Hold-ing power	Part No.	
			Input	Output	DC	AC 50 Hz	AC 60 Hz	DC	AC 50 Hz	AC 60 Hz		
								[W]	[VA]	[VA]		
	-		Inlet valve	Ø 8x1	Ø6x1	12 V	-	-	1.6	-	-	5790800210
			Inlet valve	Ø 8x1		24 V	-	-	1.6	-	-	5790800220
			Inlet valve	Ø 8x1		24 V	-	-	1.7	-	-	5790800620
			Inlet valve	Ø 8x1		-	24 V	24 V	-	2.2	1.8	5790805220
			Inlet valve	Ø 8x1		-	110 V	110 V	-	3	2.4	5790805270
			Inlet valve	Ø 8x1		-	230 V	230 V	-	2.3	2	5790805280
			Inlet valve	Ø 8x1		-	230 V	230 V	-	2.5	2.2	5790805680
			Stacking valve	-		12 V	-	-	1.6	-	-	5791800210
			Stacking valve	-		24 V	-	-	1.6	-	-	5791800220
			Stacking valve	-		24 V	-	-	1.7	-	-	5791800620
			Stacking valve	-		-	24 V	24 V	-	2.2	1.8	5791805220
			Stacking valve	-		-	110 V	110 V	-	3	2.4	5791805270
			Stacking valve	-		-	230 V	230 V	-	2.3	2	5791805280
Stacking valve	-	-	230 V	230 V	-	2.5	2.2	5791805680				
	NC		Stacking valve, add. compressed air port	Ø6x1	Ø6x1	12 V	-	-	1.6	-	-	5796700210
			Stacking valve, add. compressed air port	Ø6x1		24 V	-	-	1.6	-	-	5796700220
			Stacking valve, add. compressed air port	Ø6x1		24 V	-	-	1.7	-	-	5796700620
			Stacking valve, add. compressed air port	Ø6x1		-	24 V	24 V	-	2.2	1.8	5796705220
			Stacking valve, add. compressed air port	Ø6x1		-	110 V	110 V	-	3	2.4	5796705270
			Stacking valve, add. compressed air port	Ø6x1		-	230 V	230 V	-	2.3	2	5796705280
			Stacking valve, add. compressed air port	Ø6x1		-	230 V	230 V	-	2.5	2.2	5796705680
			Stacking valve, add. compressed air port	Ø 8x1		12 V	-	-	1.6	-	-	5796800210
			Stacking valve, add. compressed air port	Ø 8x1		24 V	-	-	1.6	-	-	5796800220
			Stacking valve, add. compressed air port	Ø 8x1		24 V	-	-	1.7	-	-	5796800620
			Stacking valve, add. compressed air port	Ø 8x1		-	24 V	24 V	-	2.2	1.8	5796805220
			Stacking valve, add. compressed air port	Ø 8x1		-	110 V	110 V	-	3	2.4	5796805270
			Stacking valve, add. compressed air port	Ø 8x1		-	230 V	230 V	-	2.3	2	5796805280
Stacking valve, add. compressed air port	Ø 8x1	-	230 V	230 V	-	2.5	2.2	5796805680				
-	NC		End valve	-	Ø6x1	12 V	-	-	1.6	-	-	5792800210
			End valve	-		24 V	-	-	1.6	-	-	5792800220
			End valve	-		24 V	-	-	1.7	-	-	5792800620
			End valve	-		-	24 V	24 V	-	2.2	1.8	5792805220
			End valve	-		-	110 V	110 V	-	3	2.4	5792805270
			End valve	-		-	230 V	230 V	-	2.3	2	5792805280
			End valve	-		-	230 V	230 V	-	2.5	2.2	5792805680

Directional valves ▶ Electrically operated
5/2-directional valve, Series 579

▶ Qn = 520 l/min ▶ pipe connection ▶ Compressed air connection output: Ø6x1 ▶ Electr. connection: Plug, ISO 15217, form C ▶ Can be assembled into blocks ▶ Manual override: with detent ▶ Pilot: internal

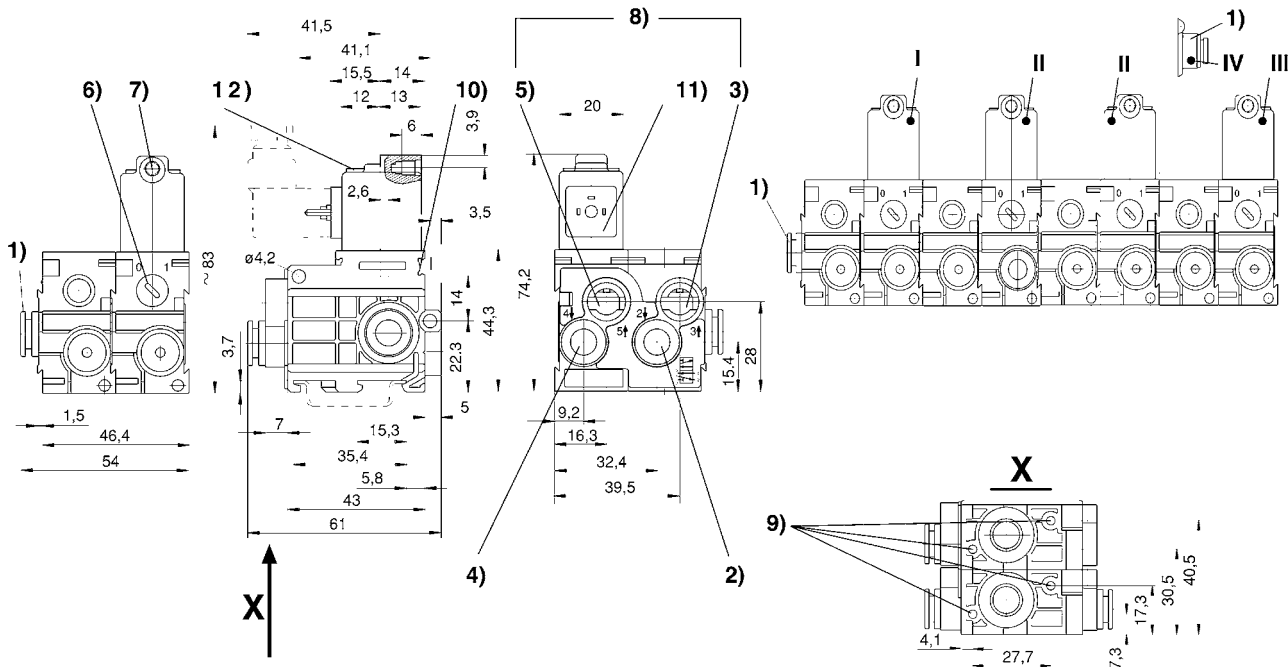
Part No.	Switch-on power		Qn	LED	Note
	AC 50 Hz	AC 60 Hz			
	[VA]	[VA]			
5790800210	-	-	520	-	-
5790800220	-	-		-	-
5790800620	-	-		Red	1)
5790805220	3	2.6		-	-
5790805270	4.2	3.4		-	-
5790805280	3.2	2.8		-	-
5790805680	3.4	3		Red	-
5791800210	-	-		-	-
5791800220	-	-		-	-
5791800620	-	-		Red	1)
5791805220	3	2.6		-	-
5791805270	4.2	3.4		-	-
5791805280	3.2	2.8		-	-
5791805680	3.4	3		Red	-
5796700210	-	-		-	-
5796700220	-	-		-	-
5796700620	-	-		Red	1)
5796705220	3	2.6		-	-
5796705270	4.2	3.4	-	-	
5796705280	3.2	2.8	-	-	
5796705680	3.4	3	Red	-	
5796800210	-	-	-	-	
5796800220	-	-	-	-	
5796800620	-	-	Red	1)	
5796805220	3	2.6	-	-	
5796805270	4.2	3.4	-	-	
5796805280	3.2	2.8	-	-	
5796805680	3.4	3	Red	-	
5792800210	-	-	-	-	
5792800220	-	-	-	-	
5792800620	-	-	Red	1)	
5792805220	3	2.6	-	-	
5792805270	4.2	3.4	-	-	
5792805280	3.2	2.8	-	-	
5792805680	3.4	3	Red	-	

1) With LED and protective diode for reducing voltage peaks in the solenoid coil, protected against polarity reversal
 Nominal flow Qn at 6 bar and Δp = 1 bar
 MO = Manual override

5/2-directional valve, Series 579

▶ $Q_n = 520$ l/min ▶ pipe connection ▶ Compressed air connection output: $\varnothing 6 \times 1$ ▶ Electr. connection: Plug, ISO 15217, form C ▶ Can be assembled into blocks ▶ Manual override: with detent ▶ Pilot: internal

Dimensions



D579_080

- 1) Port 1
- 2) Port 2
- 3) Port 3
- 4) Port 4
- 5) Port 5
- 6) Manual override
- 7) Core \varnothing for M5
- 8) Exhaust air must not be throttled
- 9) Pocket hole 6 mm deep for 3.5 self-tapping screw
- 10) mounting space for name plate
- 11) Coil can be rotated at 180° intervals
- 12) LED

* Air connection module (item IV) mounted onto stacking valve (item II) permits additional air supply from right hand side. End valve (item III) not required.
I = Inlet valve, II = Stacking valve, III = End valve

Directional valves ▶ Electrically operated

5/2-directional valve, Series 579

▶ Qn = 600 l/min ▶ NC ▶ pipe connection ▶ Compressed air connection output: Ø 8x1 ▶ Electr. connection: Plug, ISO 15217, form C ▶ Can be assembled into blocks ▶ Manual override: with detent ▶ Pilot: internal



P579_080

Version	Poppet valve
Sealing principle	Soft sealing
Working pressure min./max.	2 bar / 8 bar
Ambient temperature min./max.	-15 °C / +50 °C
Medium temperature min./max.	-15 °C / +50 °C
Medium	Compressed air
Max. particle size	5 µm
Oil content of compressed air	0 mg/m³ - 1 mg/m³
Nominal flow Qn	600 l/min
Protection class with connection	IP65
	Protected against polarity reversal
Duty cycle	100 %
Typ. switch-on time	27 ms
Typ. switch-off time	28 ms
Weight	0.133 kg
Materials:	
Housing	Polyamide
Seals	Acrylonitrile butadiene rubber; Polyurethane

Technical Remarks

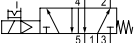

- The min. control pressure must be adhered to, since otherwise faulty switching and valve failure may result!
- The pressure dew point must be at least 15 °C under ambient and medium temperature and may not exceed 3 °C.
- The oil content of compressed air must remain constant during the life cycle.
- Use only the approved oils from AVENTICS, see chapter „Technical information“.
- At an ambient temperature of 40 °C the max. working pressure is 10 bar.
- Versions with voltage of less than 50 V DC do not have a protective ground.

Operational voltage			LED	Voltage tolerance		Power consumption	Switch-on power		Holding power	
DC	AC 50 Hz	AC 60 Hz		DC	AC 60 Hz		AC 50 Hz	AC 60 Hz	AC 50 Hz	AC 60 Hz
						W	VA	VA	VA	VA
12 V	-	-	-	-10% / +10%	-	1.6	-	-	-	-
24 V	-	-	-	-10% / +10%	-	1.6	-	-	-	-
24 V	-	-	Red	-10% / +10%	-	1.7	-	-	-	-
-	24 V	24 V	-	-10% / +15%	-	-	3	2.6	2.2	1.8
-	110 V	110 V	-	-10% / +15%	-	-	4.2	3.4	3	2.4
-	230 V	230 V	-	-10% / +15%	-	-	3.2	2.8	2.3	2
-	230 V	230 V	Red	-10% / +15%	-	-	3.4	3	2.5	2.2

Directional valves ► Electrically operated

5/2-directional valve, Series 579

► Qn = 600 l/min ► NC ► pipe connection ► Compressed air connection output: Ø 8x1 ► Electr. connection: Plug, ISO 15217, form C ► Can be assembled into blocks ► Manual override: with detent ► Pilot: internal

	MO	Type	Compressed air connection		Operational voltage			Power consumption	Hold-ing power	Hold-ing power	Part No.	
			Input	Output	DC	AC 50 Hz	AC 60 Hz	DC	AC 50 Hz	AC 60 Hz		
												[W]
	NC		Inlet valve	Ø 8x1		12 V	-	-	1.6	-	-	5790900210
			Inlet valve	Ø 8x1		24 V	-	-	1.6	-	-	5790900220
			Inlet valve	Ø 8x1		24 V	-	-	1.7	-	-	5790900620
			Inlet valve	Ø 8x1		-	24 V	24 V	-	2.2	1.8	5790905220
			Inlet valve	Ø 8x1		-	110 V	110 V	-	3	2.4	5790905270
			Inlet valve	Ø 8x1		-	230 V	230 V	-	2.3	2	5790905280
			Inlet valve	Ø 8x1		-	230 V	230 V	-	2.5	2.2	5790905680
			Stacking valve	-		12 V	-	-	1.6	-	-	5791900210
			Stacking valve	-		24 V	-	-	1.6	-	-	5791900220
			Stacking valve	-		24 V	-	-	1.7	-	-	5791900620
			Stacking valve	-		-	24 V	24 V	-	2.2	1.8	5791905220
			Stacking valve	-		-	110 V	110 V	-	3	2.4	5791905270
			Stacking valve	-		-	230 V	230 V	-	2.3	2	5791905280
			Stacking valve	-		-	230 V	230 V	-	2.5	2.2	5791905680
			Stacking valve, add. compressed air port	Ø 8x1		12 V	-	-	1.6	-	-	5796900210
			Stacking valve, add. compressed air port	Ø 8x1		24 V	-	-	1.6	-	-	5796900220
			Stacking valve, add. compressed air port	Ø 8x1	Ø 8x1	24 V	-	-	1.7	-	-	5796900620
			Stacking valve, add. compressed air port	Ø 8x1		-	24 V	24 V	-	2.2	1.8	5796905220
			Stacking valve, add. compressed air port	Ø 8x1		-	110 V	110 V	-	3	2.4	5796905270
			Stacking valve, add. compressed air port	Ø 8x1		-	230 V	230 V	-	2.3	2	5796905280
			Stacking valve, add. compressed air port	Ø 8x1		-	230 V	230 V	-	2.5	2.2	5796905680
			End valve	-		12 V	-	-	1.6	-	-	5792900210
			End valve	-		24 V	-	-	1.6	-	-	5792900220
			End valve	-		24 V	-	-	1.7	-	-	5792900620
End valve	-		-	24 V	24 V	-	2.2	1.8	5792905220			
End valve	-		-	110 V	110 V	-	3	2.4	5792905270			
End valve	-		-	230 V	230 V	-	2.3	2	5792905280			
End valve	-		-	230 V	230 V	-	2.5	2.2	5792905680			

Part No.	Switch-on power	Switch-on power	LED	Note
	AC 50 Hz	AC 60 Hz		
	[VA]	[VA]		
5790900210	-	-	-	-
5790900220	-	-	-	-
5790900620	-	-	Red	1)
5790905220	3	2.6	-	-

1) With LED and protective diode for reducing voltage peaks in the solenoid coil, protected against polarity reversal

Nominal flow Qn at 6 bar and Δp = 1 bar

MO = Manual override

Directional valves ▶ Electrically operated

5/2-directional valve, Series 579

▶ Qn = 600 l/min ▶ NC ▶ pipe connection ▶ Compressed air connection output: Ø 8x1 ▶ Electr. connection: Plug, ISO 15217, form C ▶ Can be assembled into blocks ▶ Manual override: with detent ▶ Pilot: internal

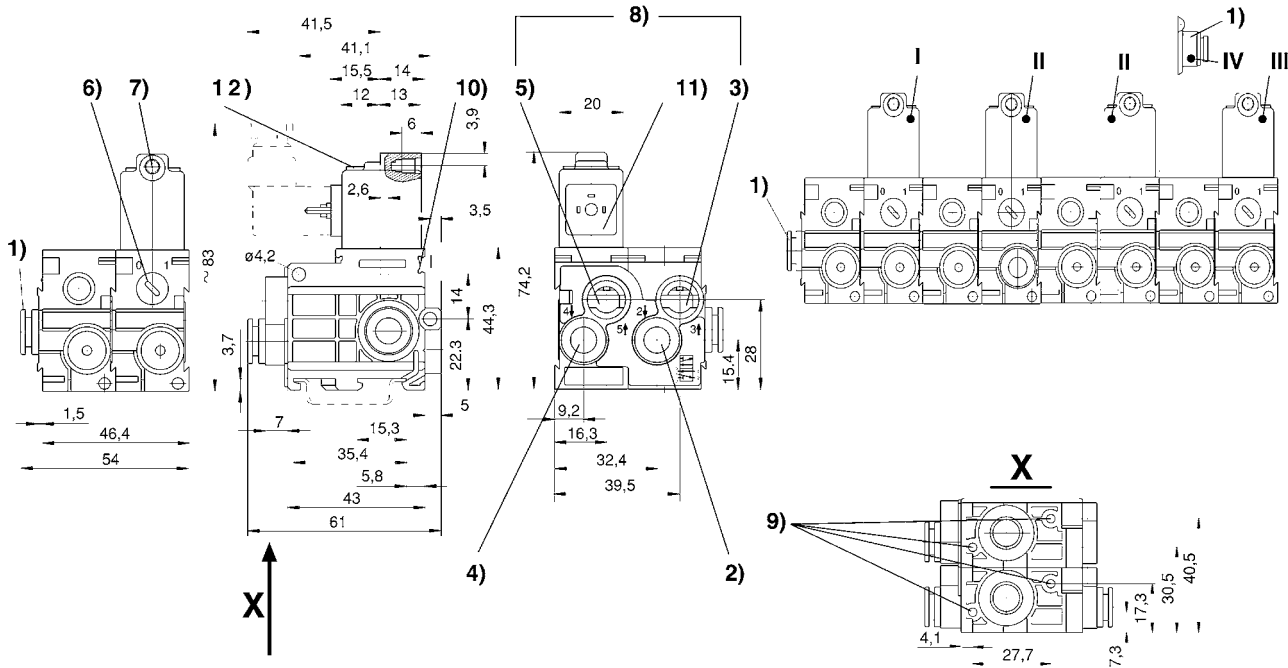
Part No.	Switch-on power	Switch-on power	LED	Note
	AC 50 Hz	AC 60 Hz		
	[VA]	[VA]		
5790905270	4.2	3.4	-	-
5790905280	3.2	2.8	-	-
5790905680	3.4	3	Red	-
5791900210	-	-	-	-
5791900220	-	-	-	-
5791900620	-	-	Red	1)
5791905220	3	2.6	-	-
5791905270	4.2	3.4	-	-
5791905280	3.2	2.8	-	-
5791905680	3.4	3	Red	-
5796900210	-	-	-	-
5796900220	-	-	-	-
5796900620	-	-	Red	1)
5796905220	3	2.6	-	-
5796905270	4.2	3.4	-	-
5796905280	3.2	2.8	-	-
5796905680	3.4	3	Red	-
5792900210	-	-	-	-
5792900220	-	-	-	-
5792900620	-	-	Red	1)
5792905220	3	2.6	-	-
5792905270	4.2	3.4	-	-
5792905280	3.2	2.8	-	-
5792905680	3.4	3	Red	-

1) With LED and protective diode for reducing voltage peaks in the solenoid coil, protected against polarity reversal
 Nominal flow Qn at 6 bar and Δp = 1 bar
 MO = Manual override

5/2-directional valve, Series 579

▶ $Q_n = 600$ l/min ▶ NC ▶ pipe connection ▶ Compressed air connection output: $\varnothing 8 \times 1$ ▶ Electr. connection: Plug, ISO 15217, form C ▶ Can be assembled into blocks ▶ Manual override: with detent ▶ Pilot: internal

Dimensions



- 1) Port 1
- 2) Port 2
- 3) Port 3
- 4) Port 4
- 5) Port 5
- 6) Manual override
- 7) Core \varnothing for M5
- 8) Exhaust air must not be throttled
- 9) Pocket hole 6 mm deep for 3.5 self-tapping screw
- 10) mounting space for name plate
- 11) Coil can be rotated at 180° intervals
- 12) LED

* Air connection module (item IV) mounted onto stacking valve (item II) permits additional air supply from right hand side. End valve (item III) not required.
I = Inlet valve, II = Stacking valve, III = End valve

D579_080

Directional valves ▶ Electrically operated

Series 579 Accessories

Electrical connector, Series CN1 ▶ 8 mm ▶ ISO 15217 ▶ form C



P894_220

Ambient temperature min./max.	-40°C / +90°C
Protection class	IP65
Cable fitting	M12x1,5
Mounting screw tightening torque	0.4 Nm
Materials:	
Housing	Polyamide

Technical Remarks

- The specified protection class is only valid in assembled and tested state.

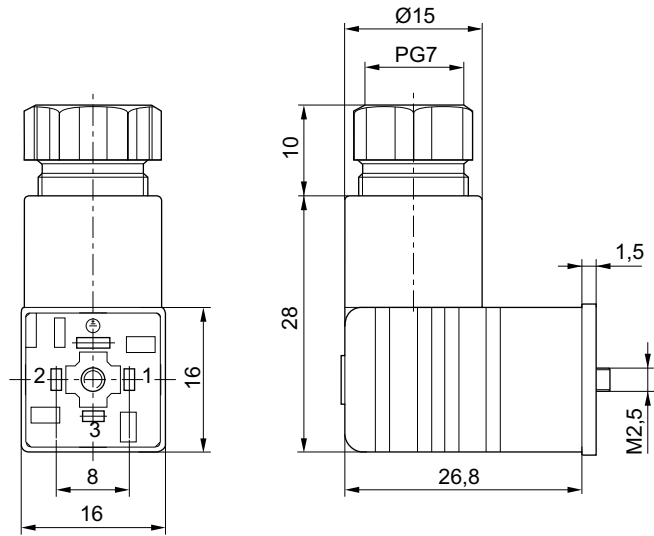
	Operational voltage	Max. current	Contact assignment	Cable exit	Protective circuit	suitable cable-Ø min./max	Part No.
	AC						
	[V]	[A]				[mm]	
	250	6	2+E	angled 90°	-	4 / 6	1834484187
	24	-	2+E	angled 90°	Z-diode	-	4402050330

Part No.	number of plug options 1	Status display	LED status display	Housing color	Weight	Fig.	Note
					[kg]		
1834484187	4 positions each 90°	-	-	Black	0.012	Fig. 1	1); 2)
4402050330	4 positions each 90°	1 LED	Green	Transparent	0.014	Fig. 3	-

- 1) Profile seal
2) Seal: caoutchouc/butadiene caoutchouc

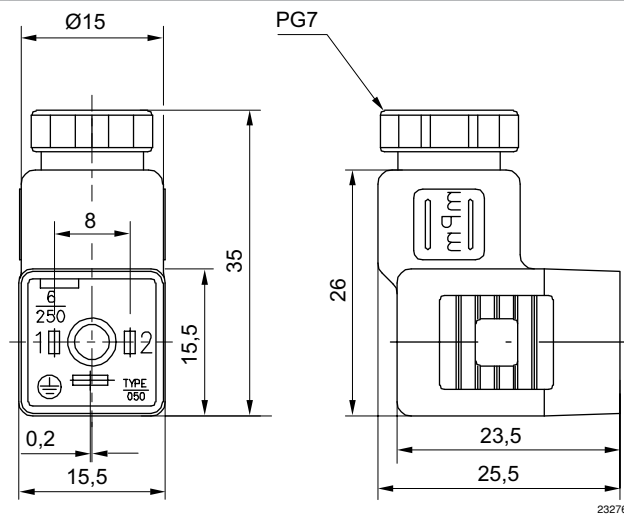
Series 579 Accessories

Fig. 1



00110255

Fig. 2

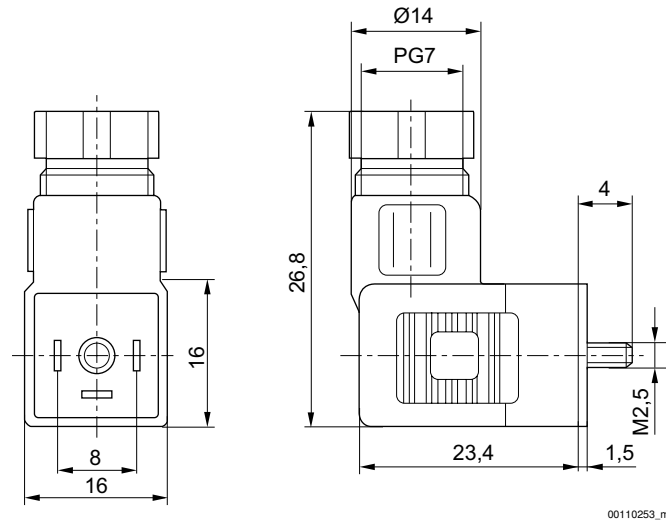


23276

Directional valves ▶ Electrically operated

Series 579
Accessories

Fig. 3



Connector with cable, Series CN1
▶ form C ▶ 8 mm

Ambient temperature min./max.	-20°C / +80°C
Protection class	IP67
Tightening torque for mounting screws	0.4 Nm

Materials:	
Seals	caoutchouc/butadiene caoutchouc



00119140

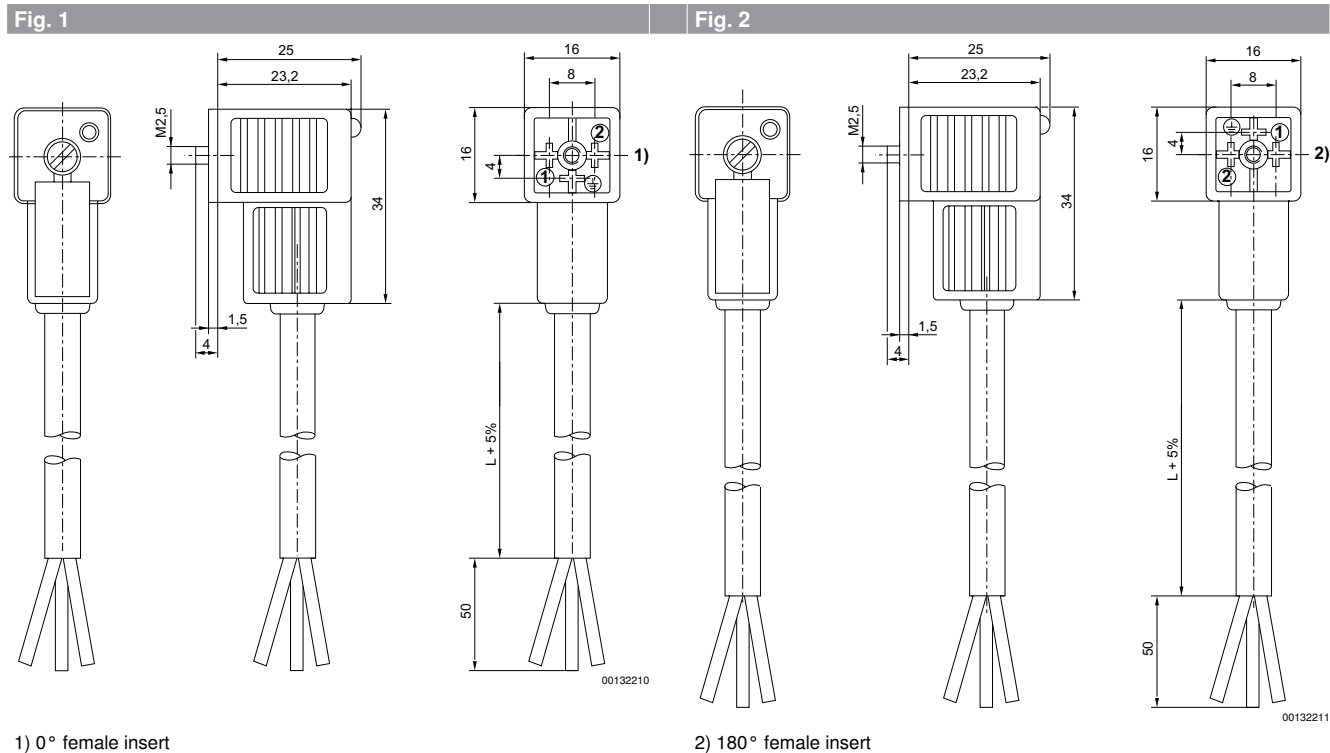
Technical Remarks

- The specified protection class is only valid in assembled and tested state.

Series 579 Accessories

	Operational voltage max.	Max. current	Protective circuit	Contact assignment	LED status display	Cable	Weight	Fig.	Note	Part No.
	[V AC]	[A]				[m]	[kg]			
	24	6	Z-diode	2+E	Yellow	3	0.185	Fig. 1	1)	1834484204
						3	0.185	Fig. 2		1834484205
						5	0.292	Fig. 1		1834484206
						5	0.298	Fig. 2		1834484207
	230	6	Varistor	2+E	Yellow	3	0.171	Fig. 1	1)	1834484208
						3	0.194	Fig. 2		1834484209
						5	0.297	Fig. 1		1834484210
						5	0.285	Fig. 2		1834484211
	230	6	-	2+E	-	3	0.183	Fig. 1	-	1834484212
						3	0.183	Fig. 2		1834484213
						5	0.308	Fig. 1		1834484214
						5	0.308	Fig. 2		1834484215

1) Scope of delivery incl. flat gasket



Directional valves ▶ Electrically operated

Series 579 Accessories

Contact bridge

▶ Control: plug M12 ▶ Plug, M12x1, 4-pin ▶ Number of solenoid coils: 1



P576_357

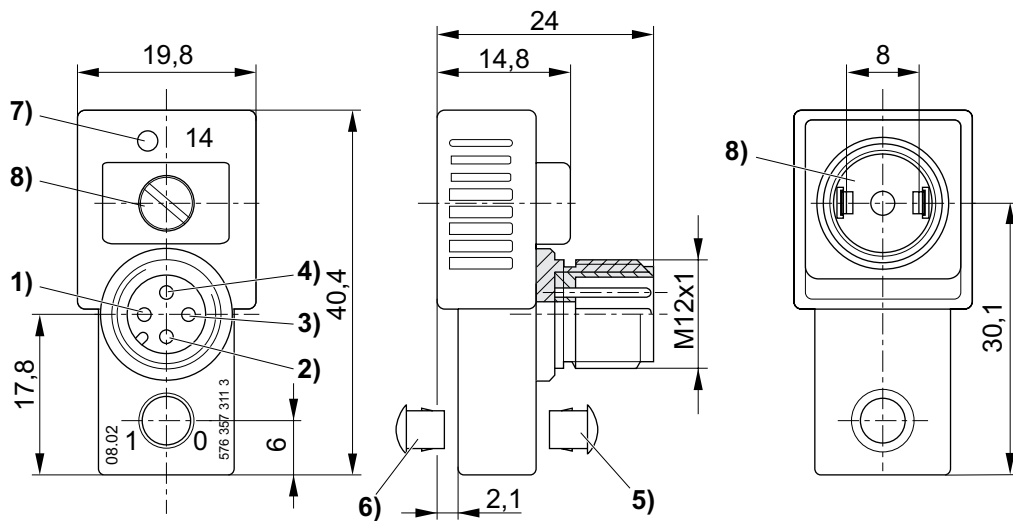
Ambient temperature min./max.	-15°C / +50°C
Protection class	IP65
Protective circuit	43 V bi-directional
DC operating voltage	24 V
Operational voltage AC at 50 Hz	24 V
Operational voltage AC at 60 Hz	24 V
Voltage tolerance DC	-20% / +20%
Voltage tolerance AC 50 Hz	-10% / +10%
Voltage tolerance AC 60 Hz	-10% / +10%
Valve LED status display	Yellow
Mounting screw	M2.5 with slot
Tightening torque for mounting screws [+0,05]	0.25 Nm

Materials:

Housing	Polyester amide
Seals	Fluorocauchoouc

Port	Weight	Part No.
to valve		
	[kg]	
Electrical connector, ISO 15217, form C	0.016	5763573113

Dimensions



D576_357

- 1) not assigned
- 2) not assigned
- 3) ground
- 4) magnet 14
- 5) Sealing cap for manual override not removable
- 6) Removable
- 7) LED valve
- 8) captive seal and screw

Series 579 Accessories

Contact bridge

▶ Control: Multipole ▶ Plug, Snap Ø8, 3-pin ▶ Number of solenoid coils: 1



5763-631

Ambient temperature min./max.	-25 °C / +75 °C
Protection class	IP65
Protective circuit	43 V bi-directional
DC operating voltage	24 V
Voltage tolerance DC	-20% / +20%
Valve LED status display	Yellow
Mounting screw	M2.5 with slot
Tightening torque for mounting screws [+0,05]	0.25 Nm

Materials:

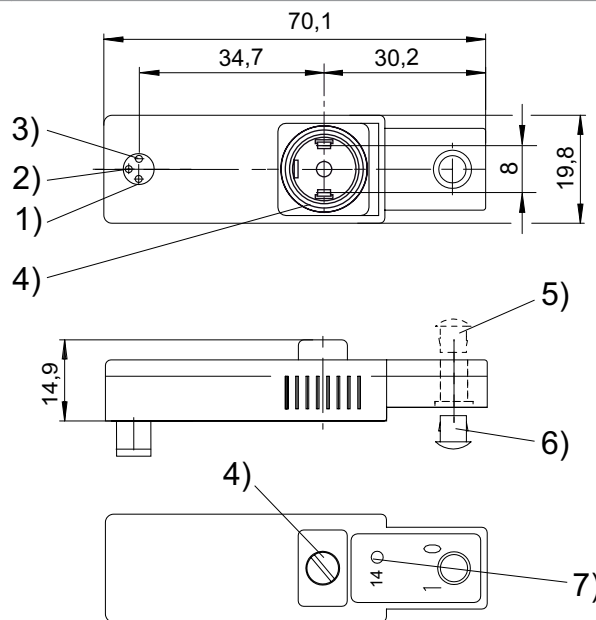
Housing	Polyester amide
Seals	Fluorocautchouc

Technical Remarks

- The specified protection class is only valid in assembled and tested state.

Port	Wire cross-section	Weight	Part No.
to valve	[mm ²]	[kg]	
Electrical connector, ISO 15217, form C	0.14	0.012	5763503183

Dimensions



D573_318

- 1) solenoid 14 2) not assigned 3) ground
4) captive seal and screw 5) sealing cap for manual override not removable 6) removable 7) LED valve

Directional valves ▶ Electrically operated

Series 579 Accessories

Silencers, Series SI1 ▶ Sintered bronze

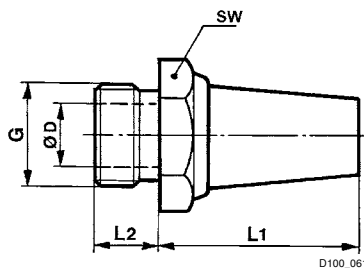


P100_060

Working pressure min./max.	0 bar / 10 bar
Ambient temperature min./max.	-25°C / +80°C
Medium	Compressed air
Materials:	Sintered bronze
Silencers	Brass
Thread	

Compressed air connection	Sound pressure level	Qn	Order quantity	Weight	Part No.
	[dB]	[l/min]	[piece]	[kg]	
M5	72	460	10	0.004	1827000006

Dimensions



Part No.	Port G	SW	Ø D	L1	L2						
1827000006	M5	7	2.5	15	5						

Sound pressure level measured at 6 bar at 1 m distance

Silencers, Series SI1



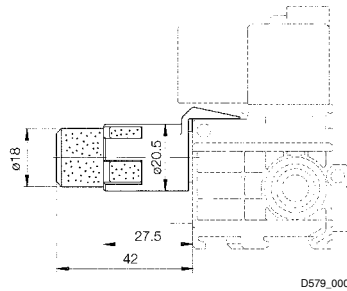
P579_000

Working pressure min./max.	0 bar / 10 bar
Ambient temperature min./max.	-25°C / +60°C
Medium	Compressed air
Sound pressure level	78 dB
Materials:	Polypropylene
Thread	

Series 579 Accessories

Qn	Order quantity	Weight	Part No.
[l/min]	[piece]	[kg]	
1300	1	0.008	5790005312
	10	0.08	5790005332
	100	0.8	5790005352

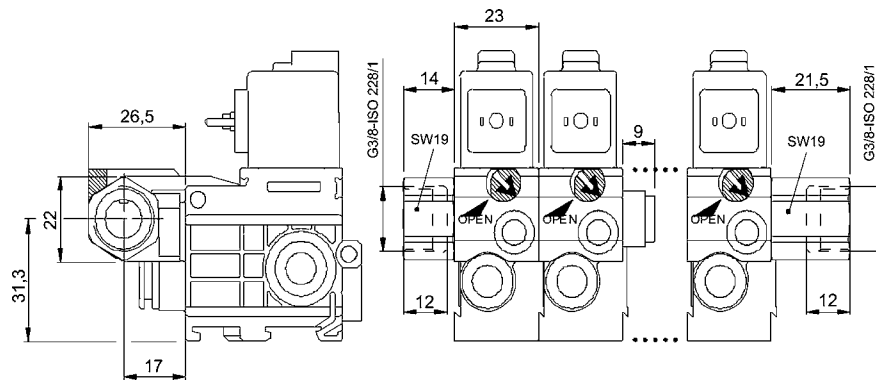
Dimensions



Collected exhaust, Series S11



P579_200



Part No.	Type	Ambient temperature min./max.						
5790002202	Output module left side G 3/8	-15 / 60						
5790002212	Stacking module	-15 / 60						
5790002222	End module	-15 / 60						
5790002232	Output module left side 10x 1	-15 / 60						
5790002242	Output module right side G 3/8	-15 / 60						

Directional valves ▶ Electrically operated

Series 579
Accessories

Silencers, Series SI1
▶ Sintered bronze



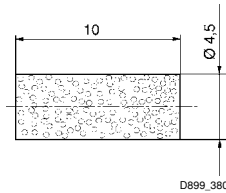
P899_380

Working pressure min./max. 0 bar / 10 bar
 Ambient temperature min./max. -25 °C / +80 °C
 Medium Compressed air

Materials:
 Silencers Sintered bronze

Weight	Part No.
[kg]	
0.008	8993800114

Dimensions



Threaded pins



P810_206

Part No.	Port	Type	Delivery quantity [pcs.]								
8102060582	M4	For mounting on the hat rail	50								

Series 579 Accessories

Name plates



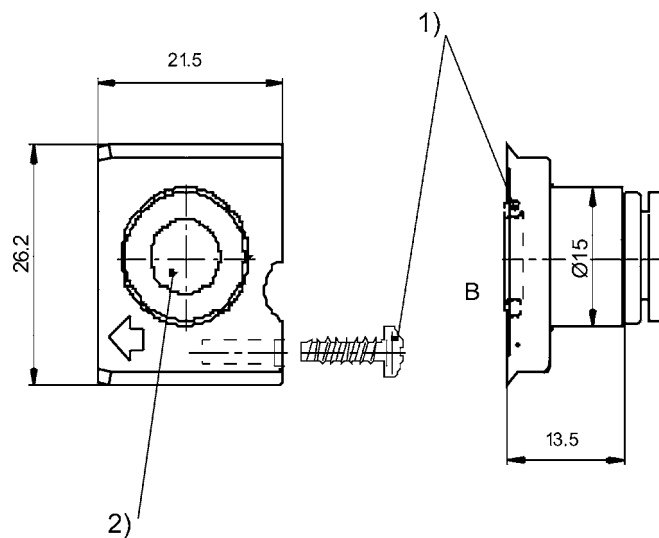
P894_305

Part No.	Type	Delivery quantity [Piece]							
8943056312	1-10	5							
8943056322	11-20	5							

Air connection module



00119252



00122783

- 1) mounting screw and O-ring included in scope of delivery
2) Push-in fitting Ø 8x1

Part No.	Type	Ambient temperature min./max.	Material	Weight [kg]	Delivery quantity [Piece]
5790000092	Air connection module	-15 / 60	Polyamide	0.008	1

AVENTICS GmbH
Ulmer Straße 4
30880 Laatzen, GERMANY
Phone +49 511 2136-0
Fax +49 511 2136-269
www.aventics.com
info@aventics.com



Find more contact information at
www.aventics.com/contact

Only use the AVENTICS products shown in industrial applications. Read the product documentation completely and carefully before using the product.

Observe the applicable regulations and laws of the respective country. When integrating the product into applications, note the system manufacturer's specifications for safe use of the product.

The data specified only serve to describe the product.

No statements concerning a certain condition or suitability for a certain application can be derived from our information.

The information given does not release the user from the obligation of own judgment and verification. It must be remembered that the products are subject to a natural process of wear and aging.

09-01-2017

An example configuration is depicted on the title page. The delivered product may thus vary from that in the illustration. Subject to change. © AVENTICS S.à r.l.
This document, as well as the data, specifications and other information set forth in it, are the exclusive property of AVENTICS S.à r.l.. It may not be reproduced or given to third parties without its consent. PDF online