

Encoder type:

**02 - 07 - U, 2 x 60, 24VDC, PNP - OC**

Rev.

**02**

Bracket  
Assembly  
Parts

Coupling  
Assembly  
Parts

**62.0028**

Totalizer

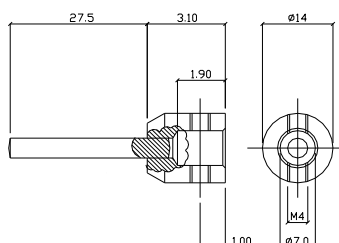
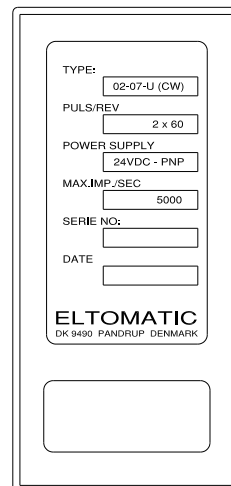
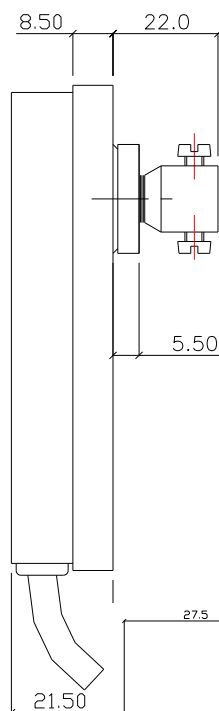
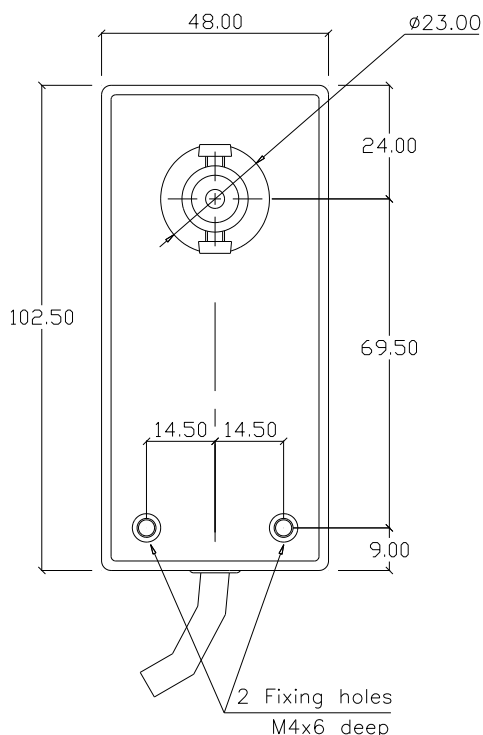
No.

Gearbox Type

No.

Flexcable

No.



W&M Approval

**PTB no. 5.552 / 84.13**

EMC Approval

**CE - EN50081 - 1 & EN50082 - 2**

Safety Approval

**none**

Approval type

**none**

Working temp.

**- 20°C ≤ T<sub>amb</sub> ≤ +70°C**

Approved Temp.

**- 20°C ≤ T<sub>amb</sub> ≤ +70°C**

Sealing

**none**

Labels

**59.2444 & 59.2007**

Pulse form

**Squarewave 50% duty cycle ±10%**

Power supply

**24VDC**

Phase shift

**Ch1 - Ch2 - 25% ± 5%**

Current / no load

**20mA**

El. Cable no.

**09.5127**

Output stage

**PNP Open collector**

El. Cable type

**1.25 m with 4 core + shield**

output load max.

**22mA per channel**

Shield

**shield connected to housing**

Output signal

**Pulse/rev 2 x 60 - adj. CW**

+VDC

**Red**

0VDC

**Black**

0VDC

**Blue**

Ch 1

**White**

Ch 2

**Yellow**

Function Select

**none**

Rev. 02

**06.02.15**

**Label Updated**

Rev. 03

Rev. 04