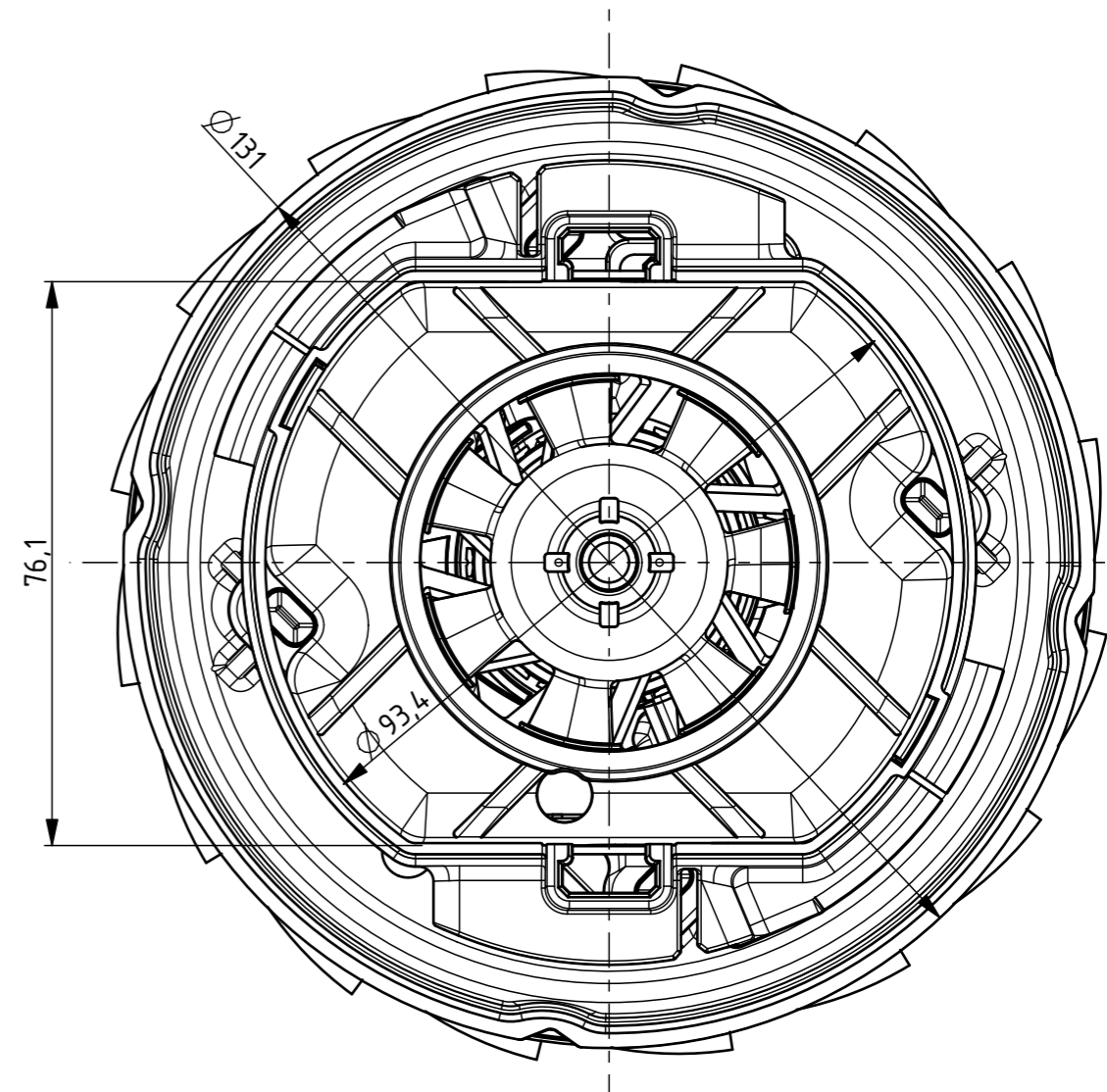
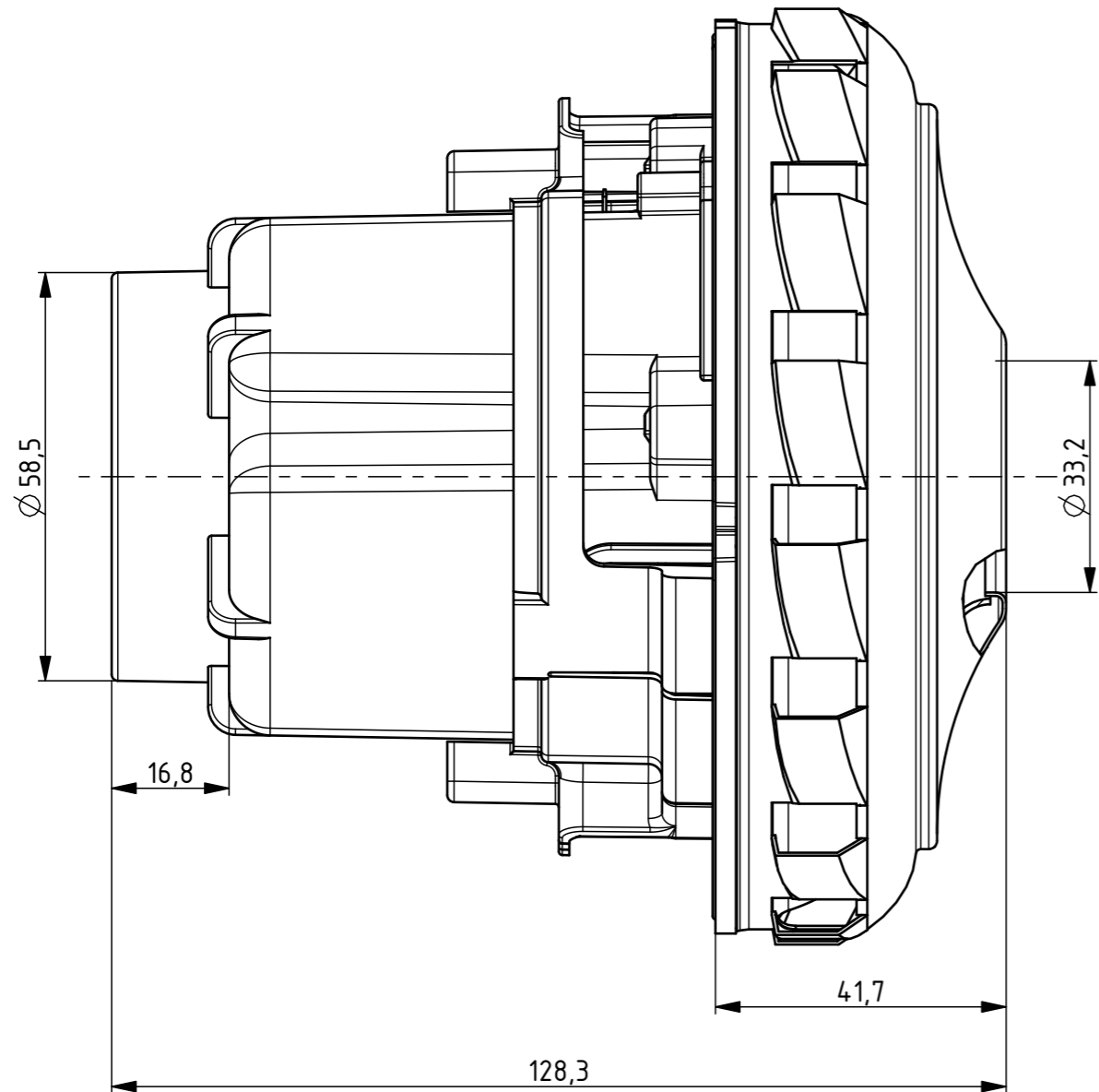


Izdelano s CAD/ProEngineer - ročno spreminjanje ni dovoljeno! Vsak prenos tretjim osebam ali uporaba v nedogovorjene namene ni dovoljena po zakonu o avtorskih pravicah.
 Made with CAD/ProEngineer - changing is not allowed! Any unauthorized copying of this drawing or unauthorized distribution of the information contained herein is prohibited.

NAPETOST VOLTAGE	230 V
FREKVENCA FREQUENCY	50 Hz
NAZIVNA MOČ NOMINAL POWER	1200 W
MAKSIMALNA MOČ MAXIMAL POWER	1300 W

DVOJNA IZOLACIJA
DOUBLE INSULATION

Verzija Status



Oznake natisnjene na SE:
Information stamped on VCM:

DOMEL 467.3.414-4
629156-6
230 V 50 Hz
I.Cl.180
YYWWD S NNNN
MADE IN SLOVENIA



OSNOVNE ZNAČILNOSTI		TYPICAL CHARACTERISTICS	
IZVEDBA	ENOSTOPENJSKA	FAN SYSTEM	SINGLE STAGE
VLEŽAJENJE	DVA KROGLIČNA LEŽAJA	BEARINGS	DUAL BALL
VRSTA PRETOKA	MIMO MOTORJA	DISCHARGE	BY PASS
SMER VRTENJA	DESNA	DIRECTION OF ROTATION	CW

Tolerance odprtih mer Tolerances without individual indications ISO 8015 ISO 2768 - mK		Površinska hrapavost Surface finishing	Merilo Scale 1:2	Original format ISO 5457 - A3
Datum/Date Izdelal/Designed 27.08.14 D. Vrhunc			Gradivo / Material	
Pregl./Verified 27.08.14 Rihtaršič J.			Naziv Title SESALNA ENOTA VACUUM CLEANER MOTOR	
Ozn. Mark A0 11451			Koda Code 467.3.414-4	
Datum Date 27.08.14			List Sheet 3+	
Ime Name D. Vrhunc			Stran Page 1	
DOMEL® Otoki 21, 4228 Železniki, Slovenija			4673414.004_SESALNA_ENOTA	