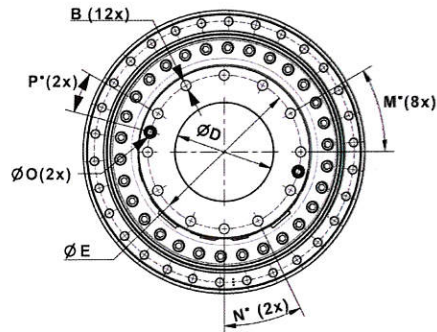
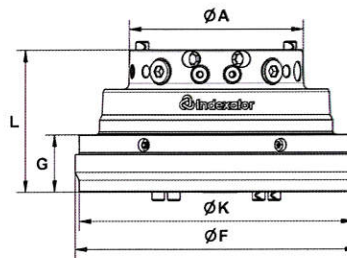
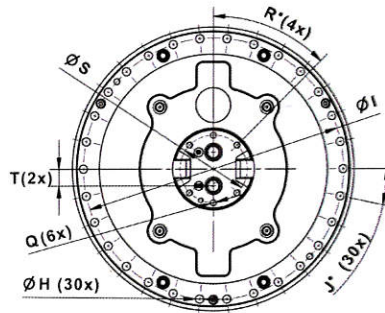
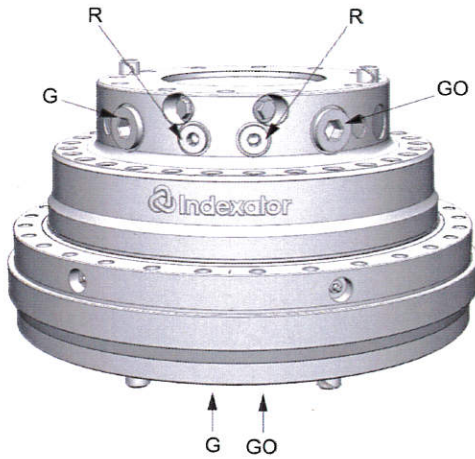


XR 400

Part No.: 8400003



Upper

G GO: R:
G 1 G 1/2

A:	B:	D:	E:	F:	G:	H:	I:	J:	K:	L:	M:	N:	O:
Ø300 mm	M20	Ø170 mm	Ø265 mm	Ø488 mm	99 mm	Ø14 mm	Ø450 mm	12°	Ø474 mm	244 mm	30°	26°	Ø22 mm
P:	Q:	R:	S:	T:									
15°	M12	45°	Ø116 mm	29 mm									

								
180 kg	360°	±550 kN ¹	±200 kN	4100 Nm	35 l/min	25 MPa	40 MPa	40 MPa

¹ Max axial load static indicate theoretical max load for hanging applications without accelerations.

Pressure limiting valves fitted.

For further technical information relating to integration and hydraulic connections, please contact rotator@indexator.com