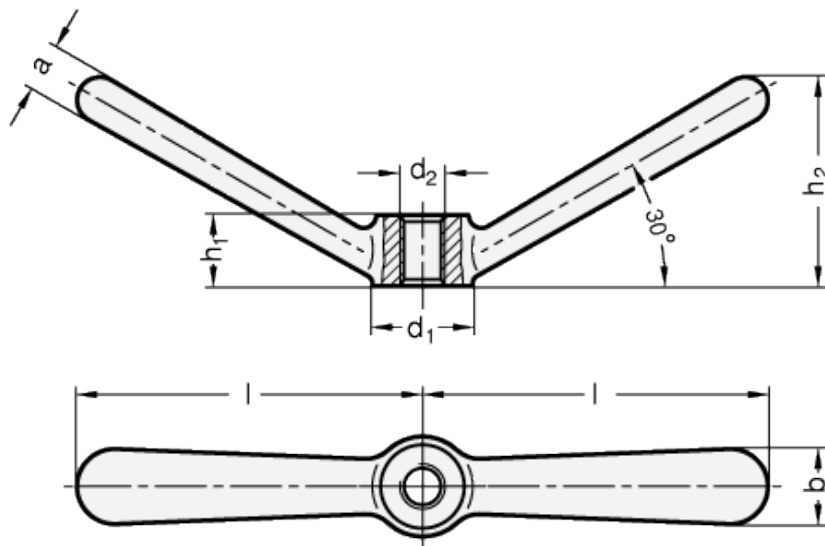


# GN 206.1-NI

Clamping nuts with double lever



INOX  
Stainless Steel



technical informations

### Material

AISI CF-8 stainless steel, fine-casting, shot blasted.  
Contact faces machined.

### Assembly

Tapped through hole.

Standard Elements	Main dimensions					Mounting hole		Weight
Description	$d_1$	$a$	$b$	$h_2 \approx$	$l \approx$	$d_2$	$h_1$	$g$
GN 206.1-16-M8-NI	16	7	12	34	56	M8	12	53
GN 206.1-20-M10-NI	20	9	14	42	70	M10	14	98

GN 206.1-25-M12-NI	25	11	18	53	87	M12	18	200
GN 206.1-32-M16-NI	32	15	22	66	109	M16	22	396
GN 206.1-40-M20-NI	40	18	28	84	140	M20	28	720

---



STANDARD MACHINE ELEMENTS WORLDWIDE