



Maico Italia S.p.A. Via Maestri del Lavoro, 12 - 25017 Lonato del Garda (Brescia) Italia  
Tel. +39 030 9913575 - Fax +39 030 9913766



Project Name:	Contact:	-	Notes:	-
Quotation number: 20160675	Company:	-		
Date: 24/11/2016	Address:	-		
Issued By: VOGRIG	Telephone:	-		
	Fax:	-		
	Email:	-		

Reference:	Model	Volume	Pressure	Velocity	Absorbed Power	Motor Power	Qty
	FCV 314 T	1,999 m <sup>3</sup> /h	1,23 Pa	7,36 m/s	0,115 kW	0.12 kW	1

### Conditions of sale

<b>Offer Validity</b>	-	<b>Delivery</b>	-
<b>Payment</b>	-	<b>Incoterm</b>	-
<b>Packing</b>	-	<b>Warranty</b>	-

### Selection - FCV 314 T

Product Code	
Requested Air Volume	1.800 m <sup>3</sup> /h
Requested Pressure	1,00 Pa
Air Volume	1.999 m <sup>3</sup> /h
Static Pressure	1,23 Pa
Total Pressure	34,3 Pa
Velocity Pressure	33,0 Pa
Outlet Velocity	7,36 m/s
Fan Total Efficiency	16,5 %
Fan Static Efficiency	0,6 %
SFP	0,21 W/l/s
Air Temperature	15 °C
Altitude	0 m
Motor Input Power	0,115 kW
Temperature Range	-20°C +60°C

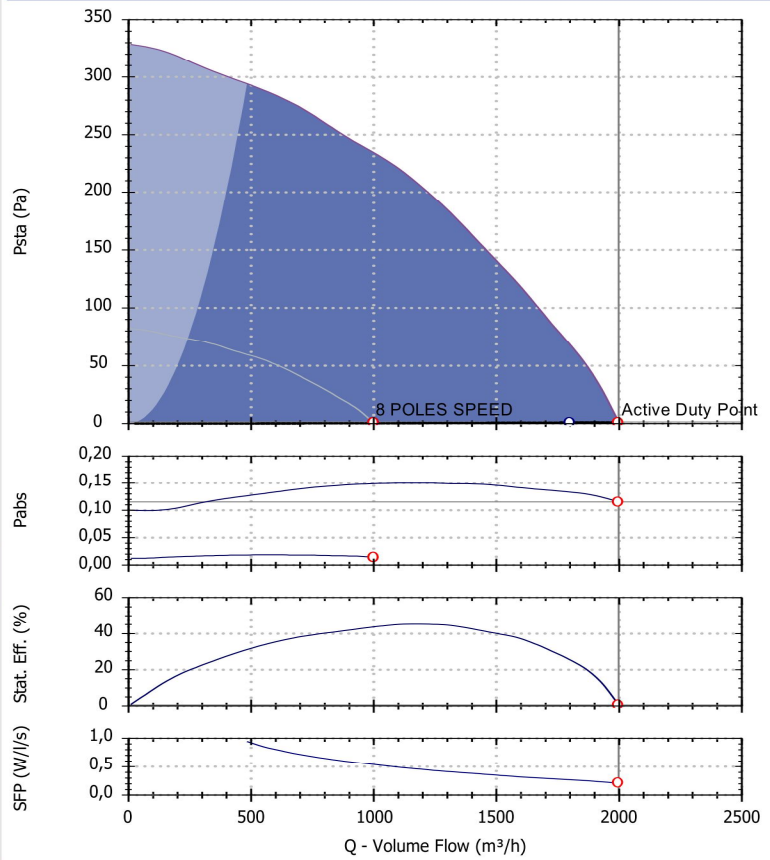
### Motor Selection

Electrical Supply	400/3/50
Motor Rating	0.12 kW
Full Load Current	0.57 A
Enclosure/Class	55 / F
Frame Size	63
Poles number	4
Motor Speed	1440 rpm

### ERP Information

Optimal Efficiency	45,28%
Installation Type	C
Efficiency Category	Static
N	FMEG56
Variable Speed Drive	False
Manufacturer	Maico
Reference	FCV 314 T
Optimal Power	0,150 kW
Optimal Airflow	1.173 m <sup>3</sup> /h
Optimal Pressure	209 Pa
Optimal Speed	1440rpm
ERP Compliance	2015

### Fan Performance



Performances refers to Maico Italia measures and may vary according to the installation type.

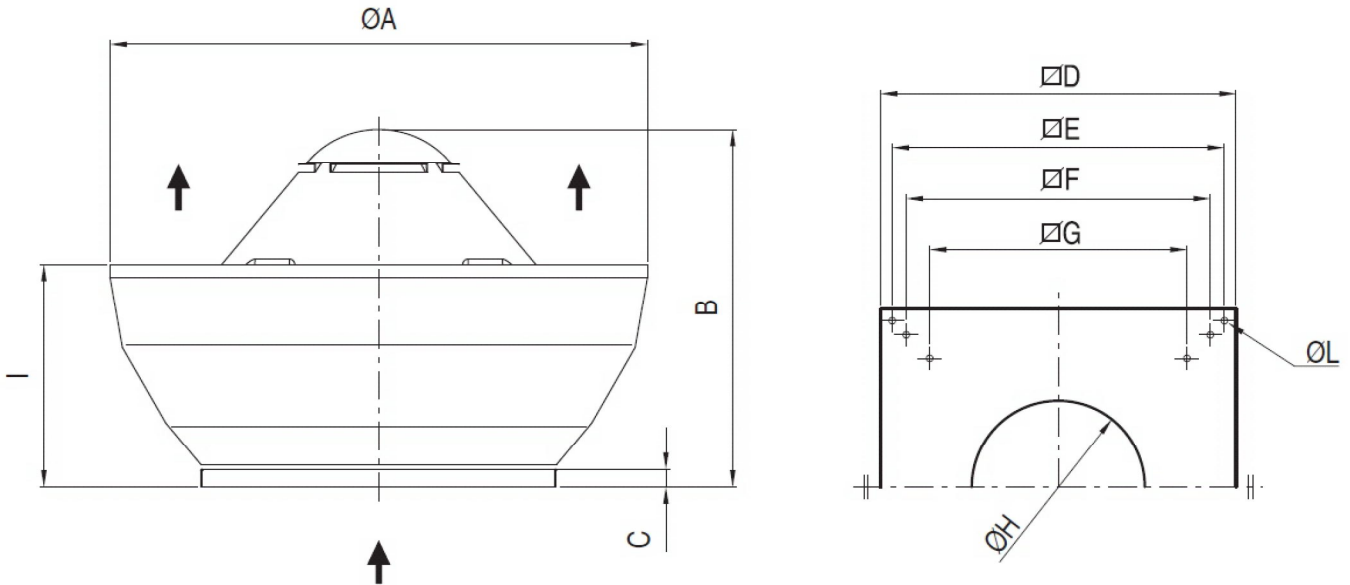
### Sound Performance

	63	125	250	500	1k	2k	4k	8k	Overall
Lw	71	71	73	73	70	64	59	50	79
Lw(A)	45	55	64	70	70	65	60	49	74
LpA @ 6m	18	29	37	43	43	39	33	23	48

Sounds spectra refers to Maico Italia measures performed in our laboratories. The values provided are just indicative of the situation and Maico Italia declines every responsibility in case different levels measured by our customers as the installation types and the environmental variables may increase/decrease these values.

### Selected Accessories

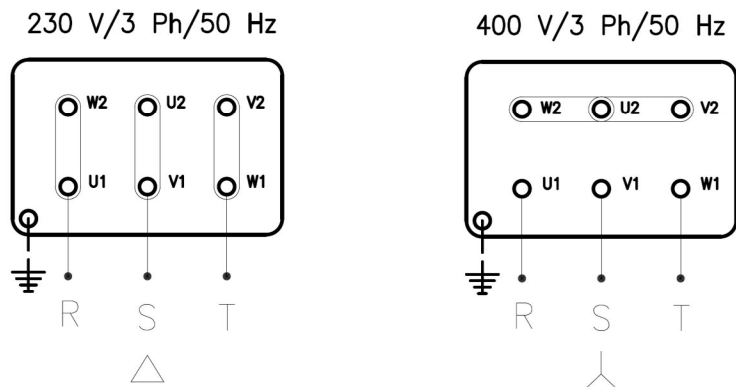
## Drawing and Dimensions - FCV 314 T



Key	$\text{ØA}$	B	C	D	E	G	$\text{ØH}$	I	kg
Value [mm]	650	510	38	400	360	307	220	290	18

Drawings are indicative of the size of the selected fan. These dimensions may vary, even without any explicit advice. To have more accurate information contact your local agency.

## Electric Wire Connections



## Additional Duties - Technical

### Active Duty Point 8 POLES SPEED

Requested Air Volume	1.800 m <sup>3</sup> /h	999 m <sup>3</sup> /h
Requested Pressure	1,00 Pa	0,308 Pa
Air Volume	1.999 m <sup>3</sup> /h	999 m <sup>3</sup> /h
Static Pressure	1,23 Pa	0,308 Pa
Total Pressure	34,3 Pa	8,56 Pa
Velocity Pressure	33,0 Pa	8,26 Pa
Outlet Velocity	7,36 m/s	3,68 m/s
Fan Total Efficiency	16,5 %	16,5 %
Fan Static Efficiency	0,6 %	0,6 %
SFP	0,21 W/l/s	0,05 W/l/s
Motor Input Power	0,115 kW	0,014 kW

## Additional Duties - Sound

### Active Duty Point

	63	125	250	500	1k	2k	4k	8k	Overall
<b>Lw</b>	71	71	73	73	70	64	59	50	79
<b>LwA</b>	45	55	64	70	70	65	60	49	74
<b>LpA</b>	18	29	37	43	43	39	33	23	48