

DIGITAL LEVEL AND PROTRACTOR

IP54
COOLANT
PROOF

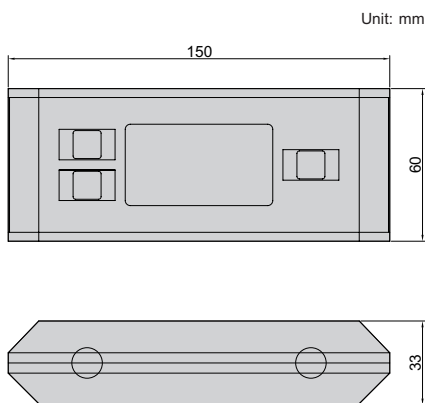
**ABSOLUTE
LEVEL**

BACKLIGHT

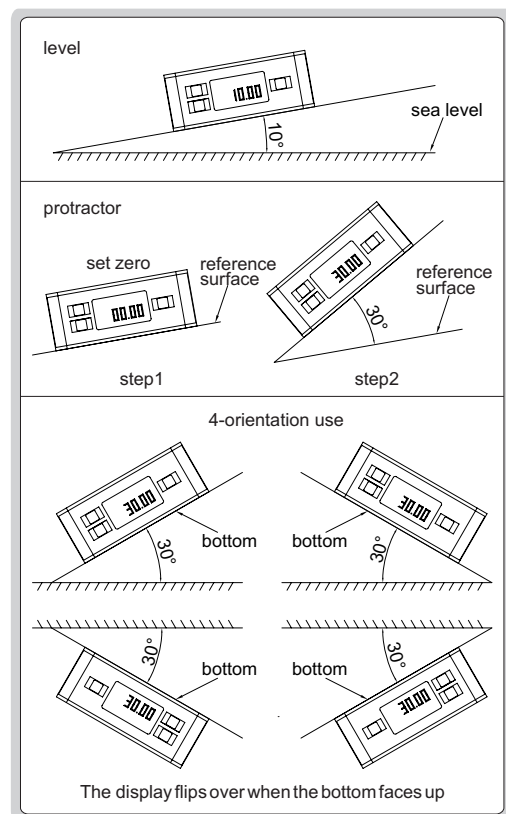
**BUZZERALARM
AT 0° AND 90°**



2179-360



- IP54 dust/waterproof
- Used as level and protractor
- Aluminum frame
- Magnetic bottom with V-groove for shafts
- The sea level is permanently set inside the chip, zero setting is not needed when batteries are replaced
- Buttons: ON/OFF, absolute and incremental measurement, keep the reading, buzzer alarm, unit(mm/m, %, in/ft) conversion, backlight
- Two AAA batteries
- Automatic power off



Code	Range	Resolution	Accuracy
2179-360	0 - 360° (90°x4)	0.05° (=0.873mm/m)	0° and 90°: ±0.1°; others: ±0.2°