

Item n° :

60122692

Model :

MULTI INOX 3 M

Pump data

Pressure rating : --
 Min. fluid temperature : 0 °C
 Max. fluid temperature : 35 °C
 Max. Ambient temperature : 40 °C

Requested data

Flow : 0,00 m³/h
 Head : 0,00 m
 Fluid : Water
 Fluid Temperature : 20 °C
 Density : 0,99819 kg/dm³
 Kinematic viscosity : 1,0004 mm²/s
 Vapor pressure : 2,20 kPa

Hydraulic data (duty point)

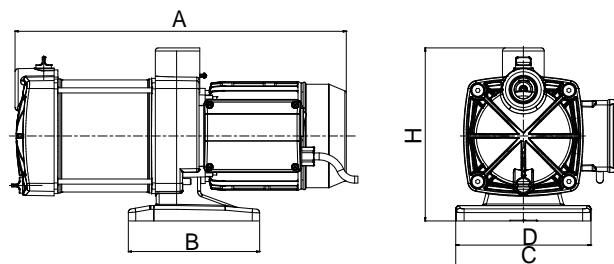
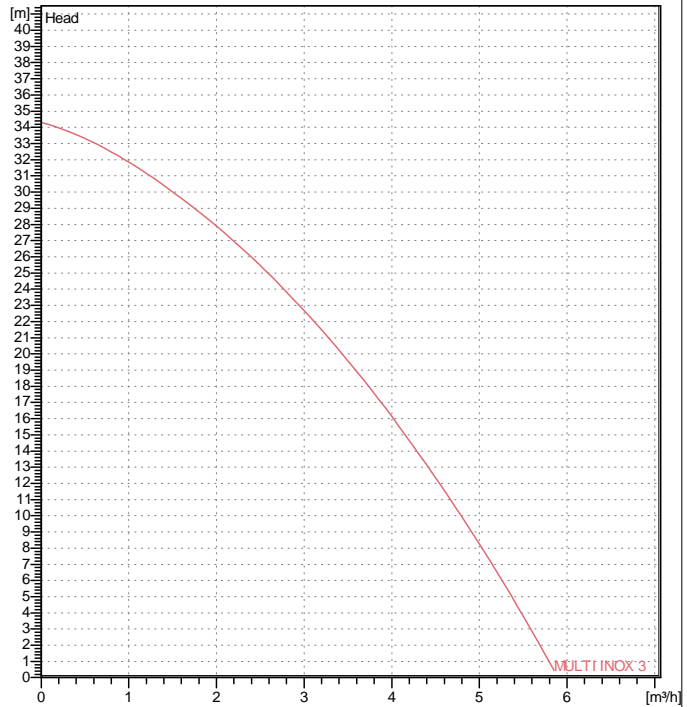
Flow :
 Head :

Materials

Pump body : Technopolymer
 Impeller : Stainless Steel AISI 304
 Motor shaft : AISI 416 X12 CrS 13 UNI EN 10088-1
 OR ring : NBR
 Diffuser : Technopolymer
 Mechanical seal : Carbon/Ceramic
 Counterface : STEA/NBR

Motor data

Motor brand : DAB
 Nominal power P2 : 0,55 kW
 Rated speed : 2800 1/min
 Rated voltage : 1~ 220-240 V 50 Hz
 Nominal current : 3,7 A
 Degree of protection : IP X4

Curve tolerance according to ISO 9906

Weight : 8,5 kg

Dimensions in mm

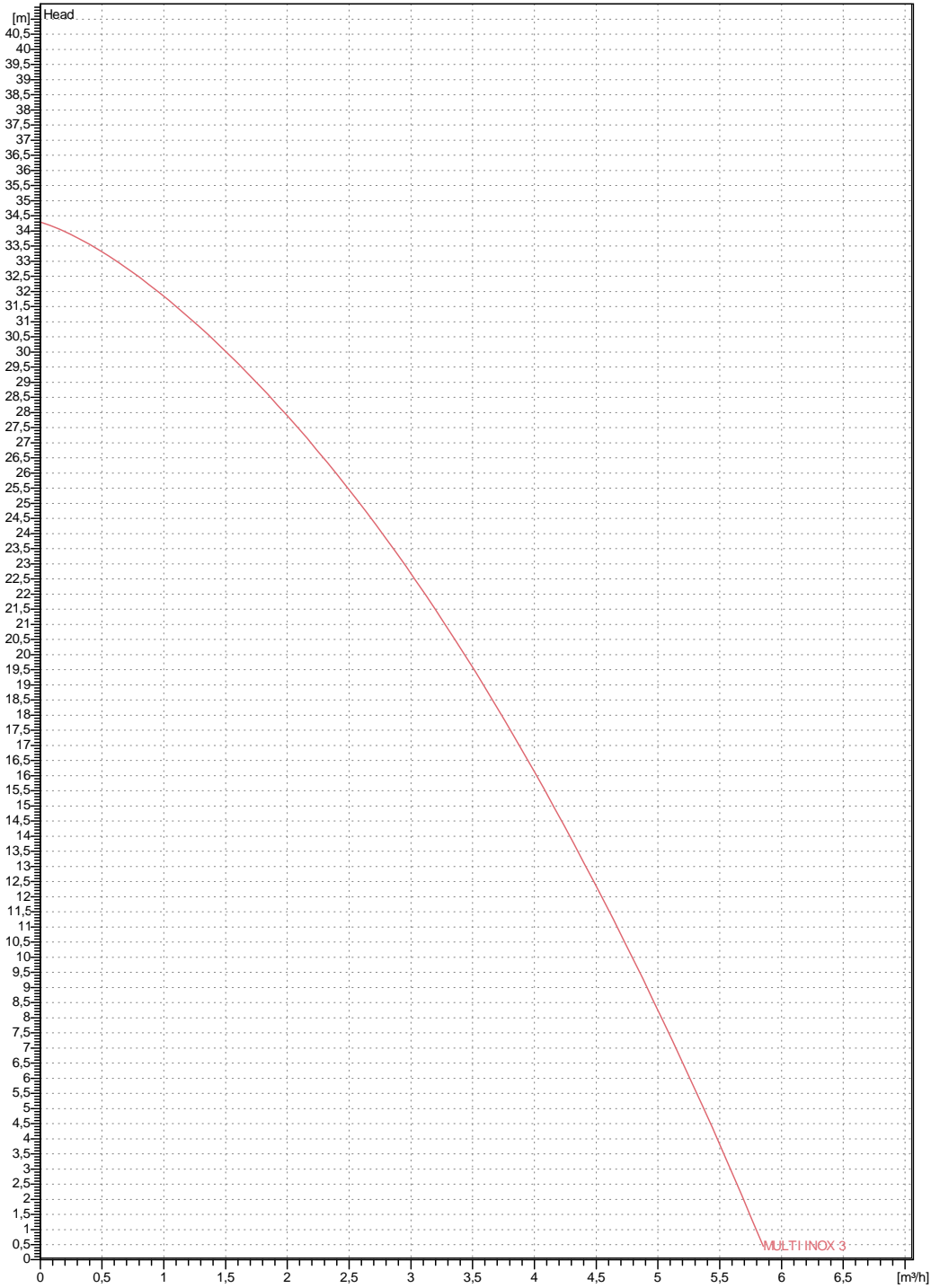
	A	B	C	D	H
Dimensions (mm)	380	170	215	175	220

Pump connection

Suction side : 1 " G / --
 Discharge side : 1 " G / --

MULTI INOX 3 M

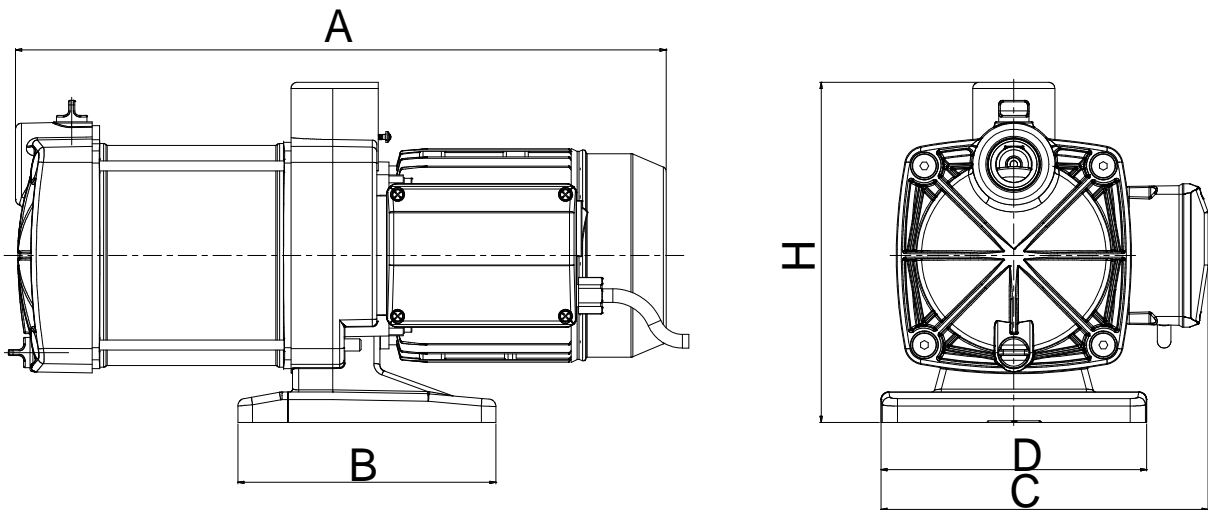
Curve tolerance according to ISO 9906



Hydraulic data (duty point)

Suction side : 1 " G	Discharge side : 1 " G	Flow : 0 m³/h	Head : 0 m	Rated speed : 2800 1/min
Project	Project ID	Created by	Created on 2017-05-10	

MULTI INOX 3 M


Dimensions in mm

1	A	380				
2	B	170				
3	C	215				
4	D	175				
5	H	220				

Pump connection

 Suction
 1 " G

--

 Discharge
 1 " G

--

Project

Project ID

Created by

Created on

2017-05-10