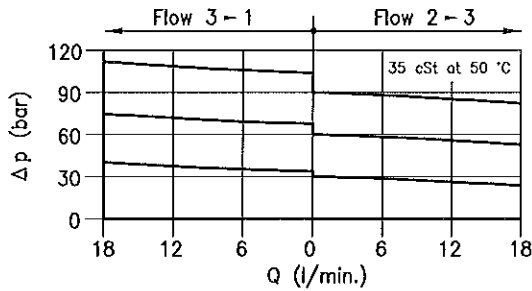
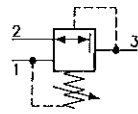
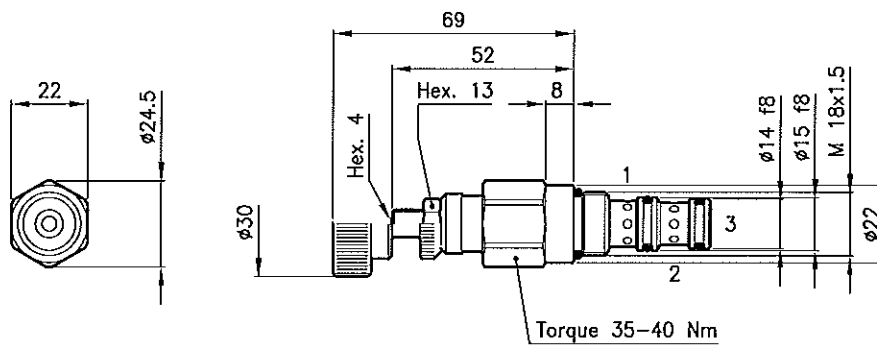


**Technical features**



Cavity (For dimensions see catalogue 17.000)	S 20/3
Max. flow (l/min.)	16
Max. inlet pressure (bar)	420
Pressure setting range (bar)	5 - 90
Max. drain (l/min.)	0.1
Fluid viscosity range (cSt)	2.8 - 380
Fluid temperature range (°C)	-20 +80
Mass (kg)	0.160
Standard setting obtained with 1 l/min.	
Hydraulic fluid; mineral oil HM and HV ISO 6074	
Recommended filtration; 19/15 ISO 4466 (25 μ absolutes)	
Standard seals in Polyurethane and Buna N	

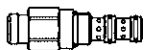
**Dimensions**



**Ordering informations**

**RLD 20/D-N**

RLD 20 = Valve type



Standard springs

Type	Setting range	Factory set
<b>U</b>	5 - 30 bar	20 bar
<b>D</b>	14 - 60 bar	40 bar
<b>T</b>	35 - 90 bar	70 bar

Adjustment type

- N** = Standard adjustment
- V** = Handknob adjustment



Codes:

RLD 20/U-N	21 011 148
RLD 20/D-N	21 011 149
RLD 20/T-N	21 011 150
RLD 20/U-V	21 011 151
RLD 20/D-V	21 011 152
RLD 20/T-V	21 011 153
External seals kit	90 620 101

RLD 20 valves can be assembled on standard bodies 20-C3 series; for dimensions see catalogue 16.010