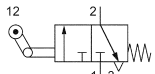
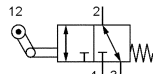


Series EL

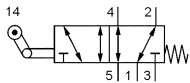
Roller-operated valves with free return, 3/2- and 5/2-way valves
 M5 (10/32 UNF) and G1/8 • 80 to 320 NI/min (0.081 - 0.325 Cv)



EL-25-310



EL-18-310, EL-18-310-Q



EL-18-510, EL-18-510-Q



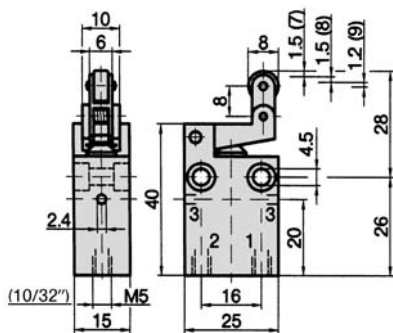
Design, function and technical data

Type EL-25-310: Port 1 must be used as the pressure inlet.

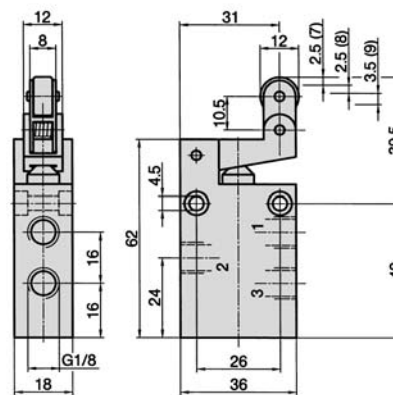
Types EL-18-310 and EL-18-510: All ports are interchangeable.

Valves EL-18-310 and EL-18-510 are available for use with vacuum (-0.95 ... 12 bar / -14 ... 175 psi). Order number changes to EL-18-310-Q and EL-18-510-Q.

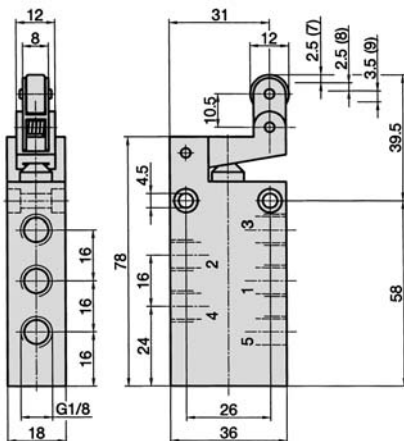
EL-25-310



EL-18-310, EL-18-310-Q



EL-18-510, EL-18-510-Q



- 1 = pressure inlet
- 2 = outlet
- 3 = exhaust
- 4 = outlet
- 5 = exhaust
- (7) = pre-stroke, valve is not actuated
- (8) = working stroke
- (9) = end of stroke, bottomed

Order number	EL-25-310	EL-18-310	EL-18-510
Function	3/2-way spring return		5/2-way spring return
Connection	M5 (10/32 UNF)	G 1/8	
Nominal size	2 mm	4 mm	
Flow rate	80 NI/min (0.081 Cv)	320 NI/min (0.325 Cv)	
Pressure range	0 ... 12 bar (0 ... 175 psi)		
Actuating force at 6 bar	8 N	17 N	18 N
Temperature range	- 10 °C ... + 70 °C (+ 14 °F ... + 158 °F)		
Materials	Body: Al (anodized), Inner parts: Al, brass, stainless steel, Roller: POM		
	Seals: NBR Lever: brass	Seals: NBR and POM Lever: Al (anodized) and brass	
Medium	Compressed air in accordance with ISO 8573-1:2001, Class 7 4 - and free of aggressive additives		
Weight	0.044 kg (0.097 lb.)	0.095 kg (0.209 lb.)	0.118 kg (0.260 lb.)