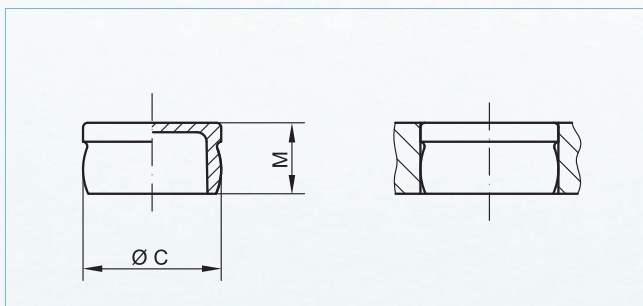


GPN 300 V



Dimensions		Order No.
C	M	
6.2	8.0	300 V 011
7.2	8.0	300 V 2
8.4	8.0	300 V 3
8.6	6.5	300 V 031
9.2	6.5	300 V 4
9.4	6.5	300 V 041
10.7	7.5	300 V 5
11.7	9.0	300 V 7
12.3	9.0	300 V 9
13.0	9.0	300 V 091
13.7	10.0	300 V 10
14.6	7.5	300 V 11
15.0	10.0	300 V 111
15.0	7.5	300 V 112
15.6	10.0	300 V 12
16.5	7.5	300 V 142
16.7	7.5	300 V 14
17.1	10.5	300 V 15
18.4	10.5	300 V 17
19.3	10.8	300 V 18
21.4	9.5	300 V 181
21.7	10.5	300 V 182
19.6	10.5	300 V 183
21.2	10.0	300 V 184
20.7	10.5	300 V 19
22.4	12.0	300 V 21
23.6	12.0	300 V 211

Dimensions		Order No.
C	M	
24.0	12.0	300 V 22
24.6	12.0	300 V 23
24.5	11.0	300 V 231
25.5	9.5	300 V 232
26.5	12.0	300 V 233
29.0	15.0	300 V 24
30.5	15.0	300 V 241
32.0	12.5	300 V 25
33.5	15.0	300 V 26
34.8	18.0	300 V 27
35.5	18.0	300 V 271
36.5	18.0	300 V 28
38.4	12.5	300 V 30
39.0	18.0	300 V 301
40.0	18.0	300 V 31
40.7	18.0	300 V 311
42.3	18.0	300 V 312
46.0	21.0	300 V 32
48.5	15.0	300 V 33
51.5	21.0	300 V 35
55.0	21.0	300 V 37
55.8	21.0	300 V 38
58.0	21.0	300 V 40
66.0	21.5	300 V 401
71.0	22.0	300 V 41

► Application guide data, see page 26

Closure Plugs GPN 300 V

Designed similar to F-type but with smaller head diameter; these plugs are therefore suitable for recessed mounting in a bore.

Material: polyethylene (PE-LD)

Colour: natural

Dimensions in mm.

Additional dimensions, heat-resistant types and custom versions available upon enquiry, please refer to "Materials and Colours", page 10.