

VEGABAR 14

4 ... 20 mA

Process pressure transmitter with ceramic measuring cell



Application area

The VEGABAR 14 pressure transmitter can be used universally for measurement of gases, vapours and liquids. The small pressure transmitter offers maximum reliability. The VEGABAR 14 is an economical solution for a multitude of applications in all areas of industry.

Your benefit

- High plant availability through maximum overload and vacuum resistance of the ceramic measuring cell
- Low-cost version with very small mounting dimensions
- Low costs for maintenance thanks to wear-free ceramic measuring cell

Function

The heart of the pressure transmitter is the pressure measuring cell transforming the pressure into an electrical signal. This pressure-dependent signal is converted by the integrated electronics into a standardized output signal. Sensor element is the ceramic CERTEC® measuring cell with excellent long-term stability and high overload resistance.

Technical data

Measuring ranges	-1 ... +60 bar/-100 ... +6000 kPa (-14.5 ... +870 psig)
Smallest measuring range	+0.1 bar/+10 kPa (+1.45 psig)
Deviation in characteristics	0.3 %
Process fitting	Thread from G½, ½ NPT
Process temperature	-40 ... +100 °C (-40 ... +212 °F)
Ambient, storage and transport temperature	-40 ... +80 °C (-40 ... +176 °F)
Operating voltage	12 ... 36 V DC

Materials

The wetted parts of the instrument are made of 316L, Duplex, PVDF or sapphire-ceramic®. The process seal is available in FKM, EPDM and FFKM.

You will find a complete overview of the available materials and seals in the "Configurator" at www.vega.com and "VEGA Tools".

Housing versions

The housing is equipped with plug connector according to ISO 4400, M12 x 1 or with direct cable outlet. It is available with protection ratings up to IP 67.

Electronics versions

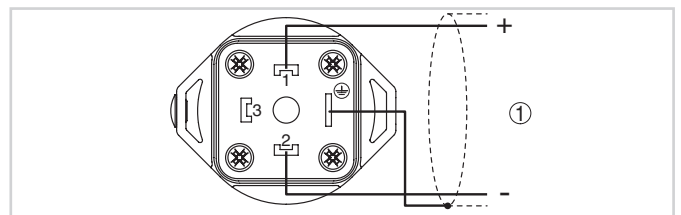
The instrument has a 4 ... 20 mA signal output.

Approvals

The instrument has different ship approvals, for example according to GL, LRS or ABS.

You can find detailed information on the existing approvals in the "configurator" on our homepage at www.vega.com/configurator.

Electrical connection

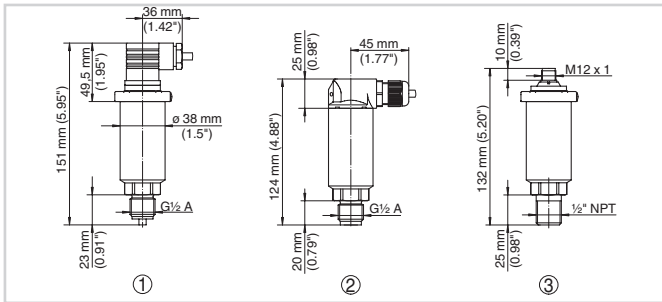


Wiring plan for plug connector according to ISO 4400, view to the connection on the instrument side

1 Voltage supply and signal output

You can find details on electrical connection in the instrument operating instructions at www.vega.com/downloads.

Dimensions



Dimensions VEGABAR 14

- 1 Threaded version G $\frac{1}{2}$, manometer connection EN 837 with plug connection ISO 4400
- 2 Threaded version G $\frac{1}{2}$, inner G $\frac{1}{4}$ with direct cable outlet
- 3 Threaded version $\frac{1}{2}$ NPT, inner $\frac{1}{4}$ NPT with plug connection M 12 x 1

Information

You can find further information about the VEGA product line on www.vega.com.

In the download section at www.vega.com/downloads you'll find operating instructions, product information, brochures, approval documents, instrument drawings and much, much more.

Instrument selection

With the "Finder" at www.vega.com/finder and "VEGA Tools" you can select the most suitable measuring principle for your application.

You can find detailed information on the instrument versions in the "Configurator" at www.vega.com/configurator and "VEGA Tools".

Contact

You can find the VEGA agency serving your area on our homepage www.vega.com.