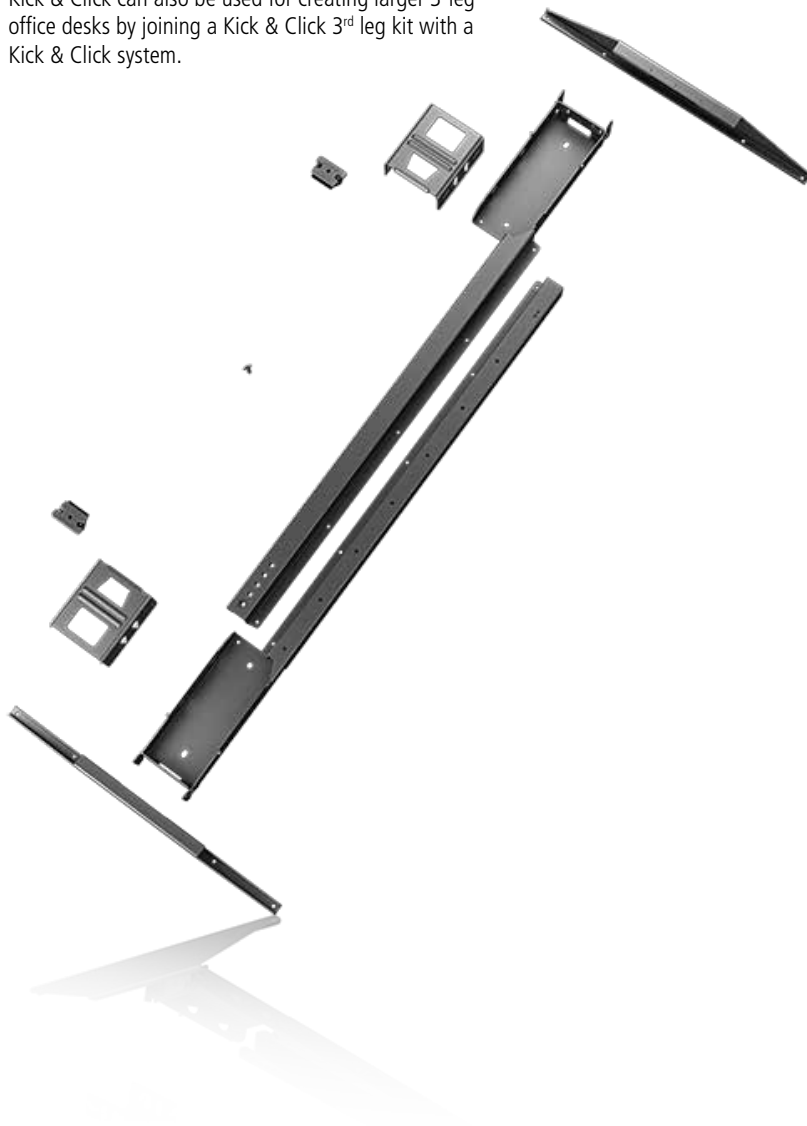


Kick & Click™

LINAK introduces a smart and intuitive mounting solution for mounting Desklift columns to the tabletop. The solution is perfect for various 2-leg office desks. The unique feature of Kick & Click is the way of mounting. The system is clicked together without using tools and at the same time avoiding the 6 screws normally used for mounting each column to a frame, simply clever.

Kick & Click is a modular concept compatible with all 8 DESKLINE columns with motor housing leaving the design to the desk manufacturer. Kick & Click comes standard in 3 versions: Kick & Click Adjustable, Kick & Click Fixed and Kick & Click Base.

Kick & Click can also be used for creating larger 3-leg office desks by joining a Kick & Click 3rd leg kit with a Kick & Click system.



Features all versions:

- Colours (all metal parts): Black, grey or white
- Cantilever length: 550 mm
- Possible to mount columns centrally or off-centre (T-desk and C-desk)

Features Kick & Click Adjustable:

- Fits desks from 1400 - 2000 mm (frame width 1340 - 1940 mm)
- Set packed or delivered bulk
- Optional to order screws for mounting the tabletop

Features Kick & Click fixed:

- Fits desks of 1200 mm (frame width 1140 mm)
- Set packed or delivered in bulk
- Optional to order screws for mounting the tabletop

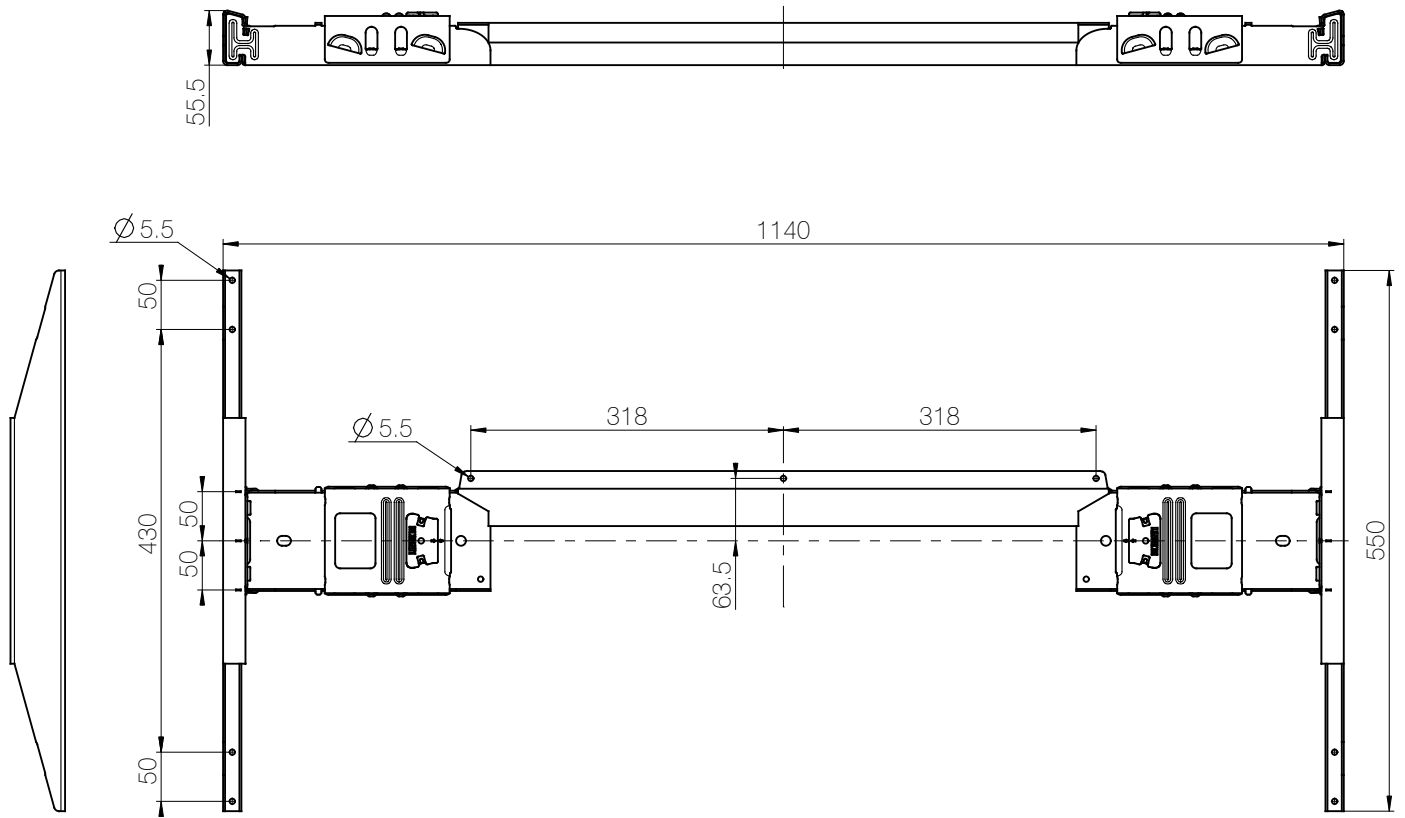
Features Kick & Click Base:

- Base consists of Cantilever (x2), Base (x2), Clamp (x2) and Kick Lock (x2) for a 2 leg desk
- Delivered bulk

Usage:

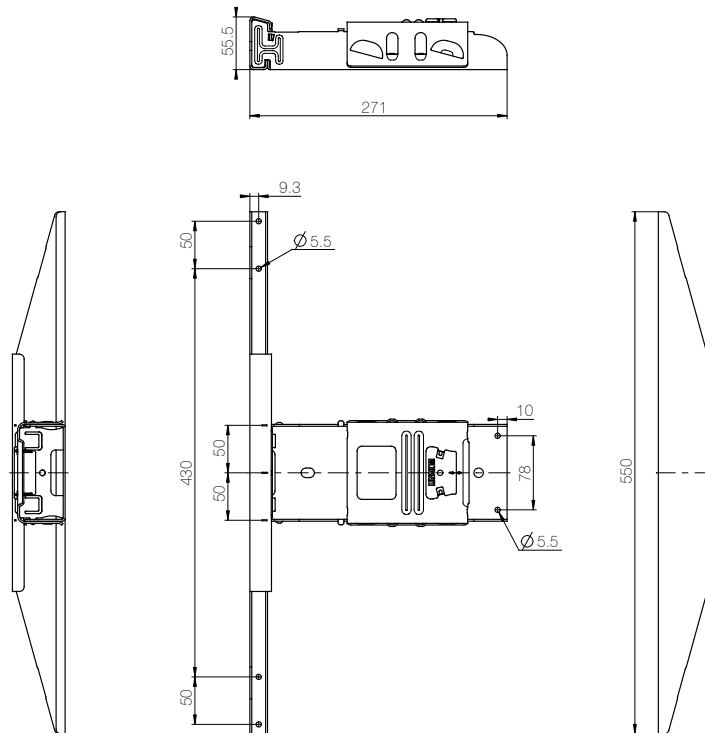
- Compatible with DESKLINE systems based on columns with motor housing: DL5, DL6, DL8, DL9, DL10, DL11, DL15 or DL16
- Can be used for either T-desk (centrally placed leg) or C-desk (off-centre placed leg)
- Kick & Click Adjustable has been tested according to EN527-1 and EN527-2 for tables from 1.40 m to 2.0 m.
- Kick & Click has been tested according to ANSI Bifma 5.5 and is approved up to 1.8 m table width.

Kick & Click Fixed



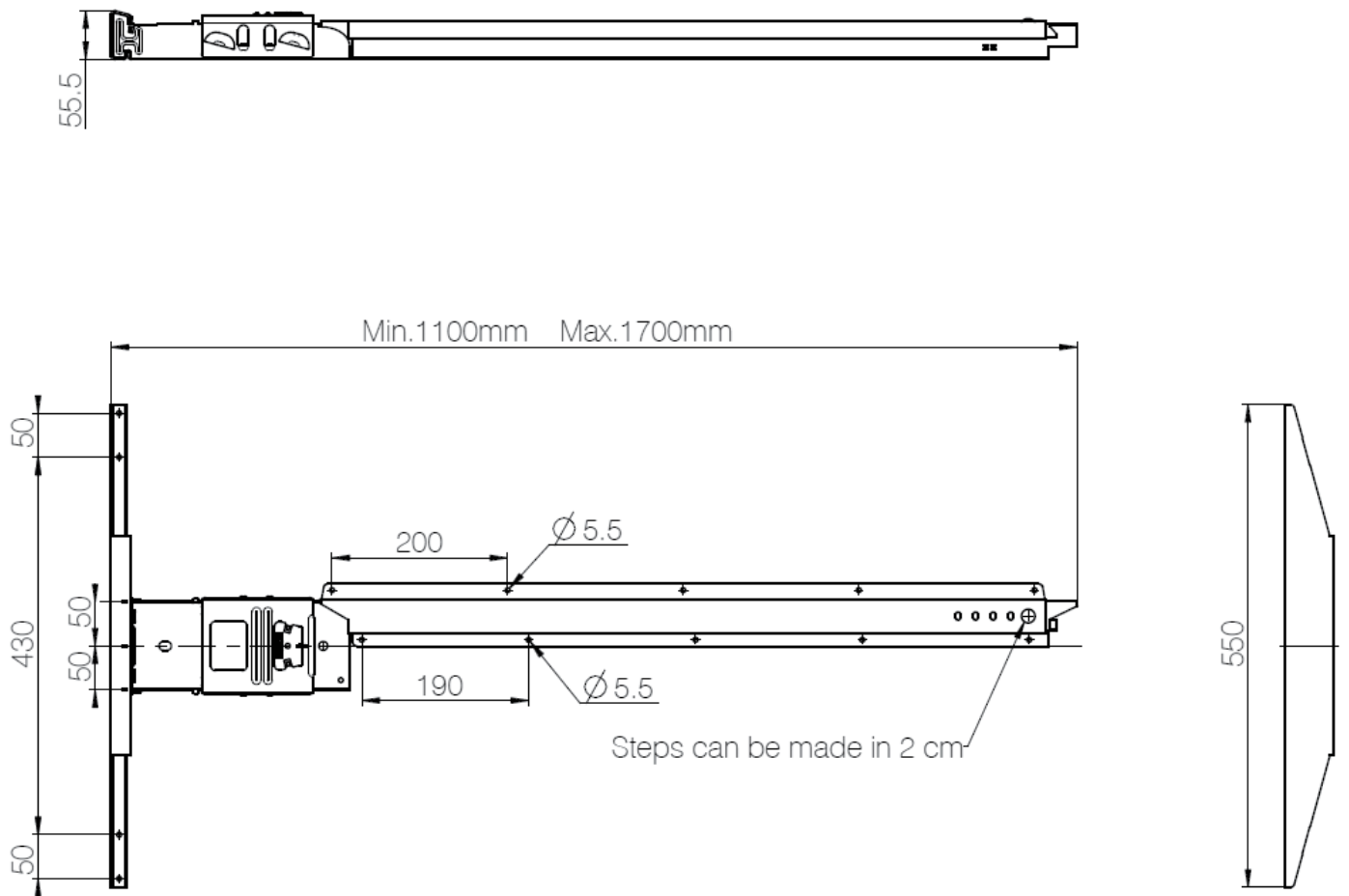
Compared to the Adjustable system the Fixed system only consists of one rail which is welded to the base in both ends.

Kick & Click Base:

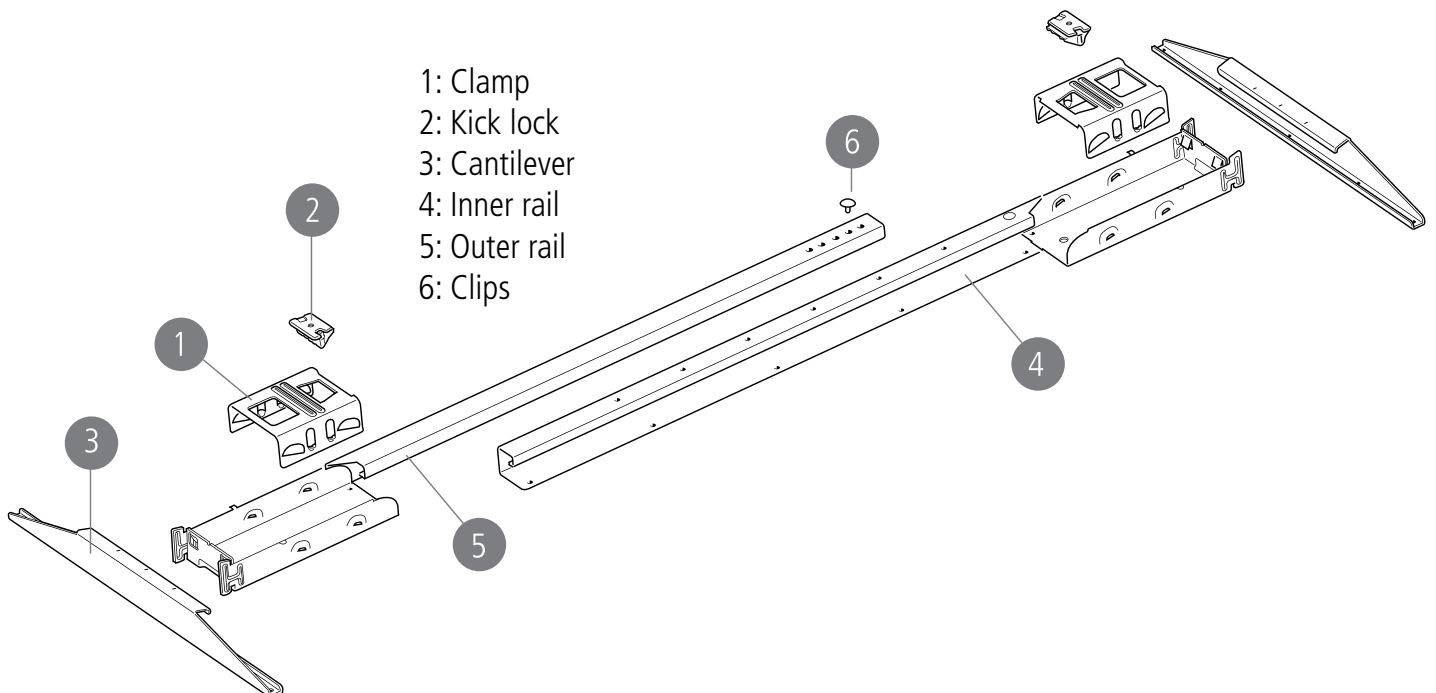


The Base system is without the inner and the outer rail. The system is preferred if the OEM want to weld his own rail on the Base, or if the desk design does not need a rail e.g. due to tabletop thickness. The Base system could also be used for a 3 leg desk.

Kick & Click 3rd leg kit



Kick & Click names of the different parts

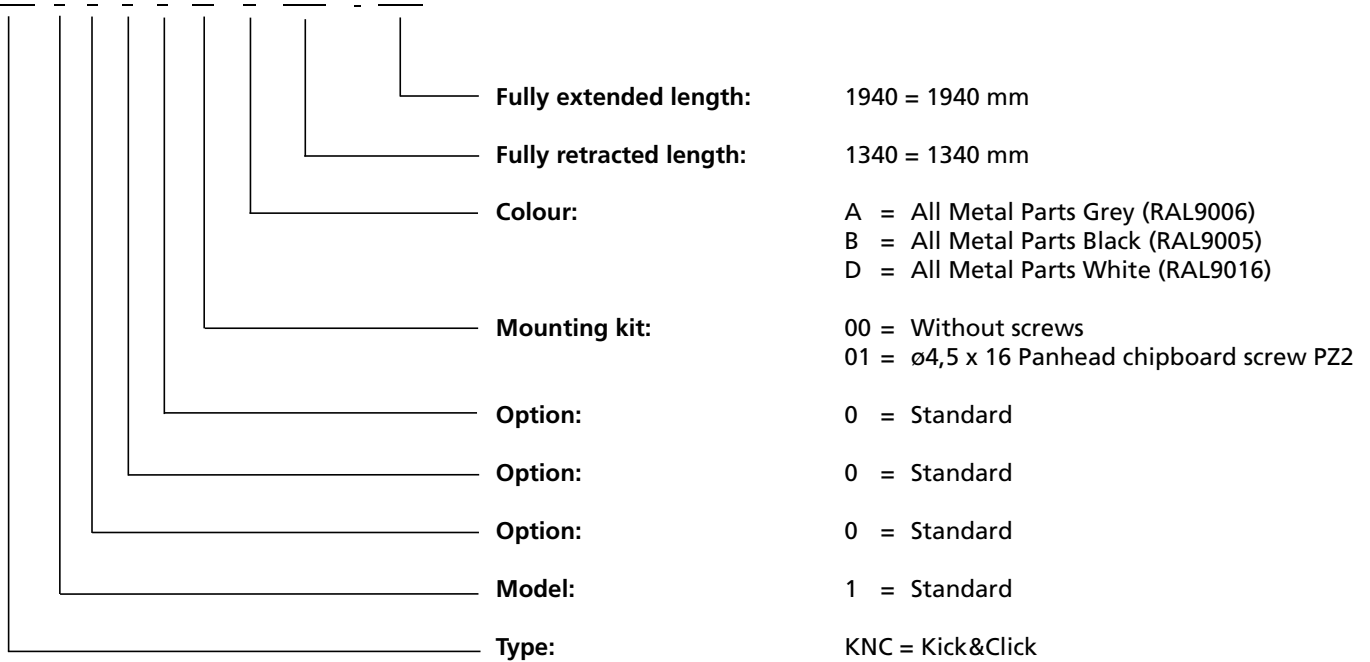


Ordering examples

Kick & Click Adjustable


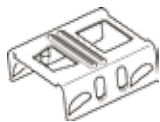




Set packed

KNC 1 0 0 0 01 A 1340 - 1940



50 sets fit on a standard pallet.

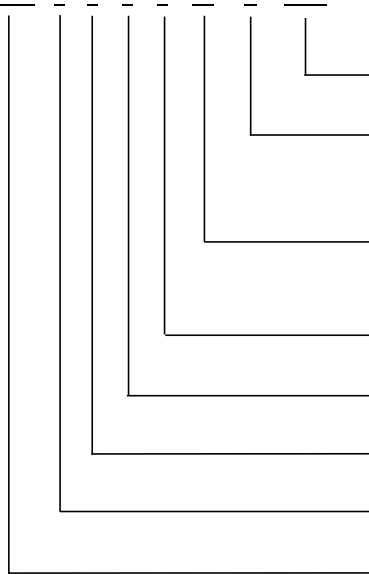
Bulk delivery:

Product	Description	Units needed per desk	Article number
	Kick Lock	2	1003W1003, black
	Clamp	2	1003W3001-120, grey 1003W3001-001, black 1003W3001-022, white
	Cantilever	2	1003W3002-550-120, grey 1003W3002-550-001, black 1003W3002-550-022, white
	Inner rail	1	1003W3003-1062-120, grey 1003W3003-1062-001, black 1003W3003-1062-022, white
	Outer rail	1	1003W3004-1062-120, grey 1003W3004-1062-001, black 1003W3004-1062-022, white
	clips	1	1003W1008, black

Kick & Click Fixed


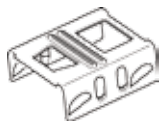


Set packed

KNC 1 0 0 0 01 A 1140




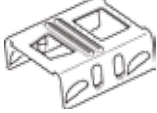

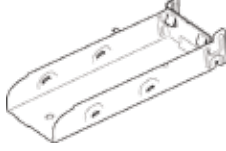
- Fully retracted length:** 1140 = 1140 mm
- Colour:**
 - A = All Metal Parts Grey (RAL9006)
 - B = All Metal Parts Black (RAL9005)
 - D = All Metal Parts White (RAL9016)
- Mounting kit:**
 - 00 = Without screws
 - 01 = ø4,5 x 16 Panhead chipboard screw PZ2
- Option:** 0 = Standard
- Option:** 0 = Standard
- Option:** 0 = Standard
- Model:** 1 = Standard
- Type:** KNC = Kick&Click

Bulk delivery:

Product	Description	Units needed per desk	Article number
	Kick Lock	2	1003W1003, black
	Clamp	2	1003W3001-120, grey 1003W3001-001, black 1003W3001-022, white
	Cantilever	2	1003W3002-550-120, grey 1003W3002-550-001, black 1003W3002-550-022, white
	Fixed rail with bases	1	1003-W3005-1134-120, grey 1003-W3005-1134-001, black 1003-W3005-1134-022, white

Kick & Click Base

Bulk delivery:

Product	Description	Units needed per desk	Article number
	Kick Lock	2	1003W1003, black
	Clamp	2	1003W3001-120, grey 1003W3001-001, black 1003W3001-022, white
	Cantilever	2	1003W3002-550-120, grey 1003W3002-550-001, black 1003W3002-550-022, white
	Base	2	1003W3006-120, grey 1003W3006-001, black 1003W3006-022, white 1003W3006-000, unpainted

