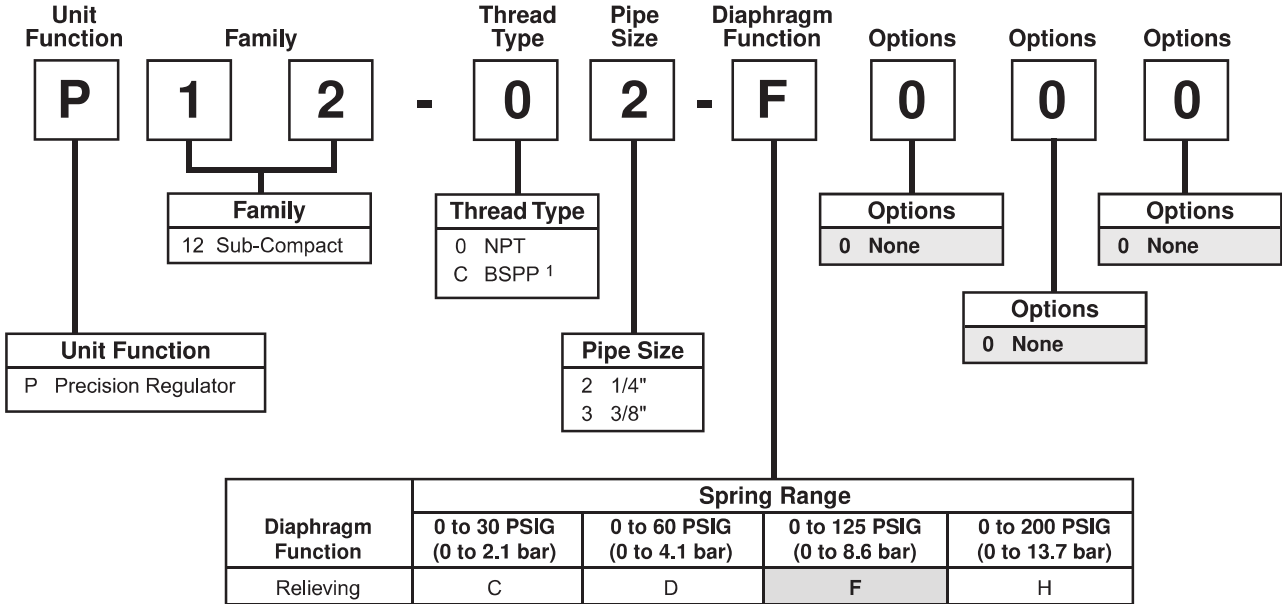


# Precision Regulator Numbering System (12 Series)

   = "Most Popular"

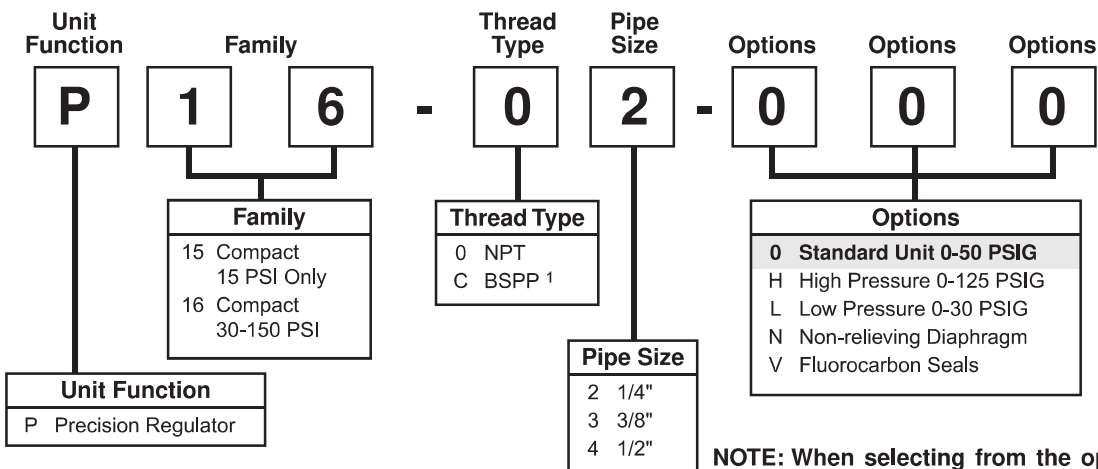


<sup>1</sup> ISO, R228 (G Series).

**NOTE:** When selecting from the options columns, please enter letters in alphabetical order for positions 7, 8, and 9. For example:

**P 1 2 - 0 2 - F 0 0 0**

# Precision Regulator Numbering System (16 Series)



**NOTE:** When selecting from the options columns, please enter letters in alphabetical order for positions 6, 7, and 8. For example:

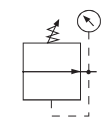
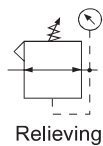
**P 1 6 - 0 2 - H 0 0**



# Precision Regulator

## P15 / P16

(Modular with 16 Series)



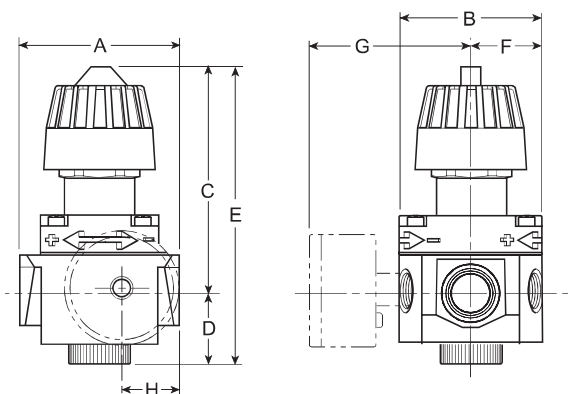
P15 / P16-02-000

### Precision Regulator

The P15 / P16 models are general purpose regulators specifically designed for applications that require reliable performance and accurate pressure control.

#### Features

- *Stable Output* – Aspirator Design Minimizes “Droop” at Higher Flow Levels
- *Accuracy* – High Diaphragm-to-Valve-Area Ratio Combined with Unbalanced Valve Provides High Precision with Minimal Initial Pressure Droop
- *Sensitive* – Responds Quickly to the Slightest Change in Downstream Pressure
- *Easy Maintenance* – May be Disassembled and Serviced without Removal from Air Line
- *Modular Design* – Available in a Modular Configuration to Work with Other Wilkerson Modular Units, Accessories and Options



NOTE: 1.31" Dia. (33,3 mm) hole required for panel nut mounting.

#### Dimensions

Models	Inches (mm)	A	B	C	D	E	F	G	H
Standard Unit P15-XX-000 / P16-XX-000		2.99 (76)	2.59 (66)	3.99 (101.3)	1.20 (30.5)	5.19 (132)	1.29 (33)	—	1.02 (25.9)
With Gauge (order gauge separately) P15-XX-XXX / P16-XX-XXX		2.99 (76)	2.59 (66)	3.99 (101.3)	1.20 (30.5)	5.19 (132)	1.29 (33)	2.99 (76)	1.02 (25.9)

= “Most Popular”

#### Specifications

Flow Capacity*	P15	27.5 SCFM (13.0 dm <sup>3</sup> /s)
	P16	22.0 SCFM (10.4 dm <sup>3</sup> /s)
Bleed Rate	0.03 SCFM (0.014 dm <sup>3</sup> /s) max.	
Gauge Port (2 ea.)	NPT / BSPT-Rc	1/4
Maximum Supply Pressure	300 PSIG (20.7 bar)	
Operating Temperature	32° to 150°F (0° to 65.5°C)	
Port Size	NPT / BSPP-G	1/4, 3/8, 1/2
Weight	lb. (kg)	1.66 (0.75)

\* Inlet pressure 100 PSIG (6,9 bar). Secondary pressure P15, 15 PSIG (1,0 bar); P16, 45 PSIG (3,1 bar).

#### Materials of Construction

Body	Zinc
Bonnet	PBT
Diaphragm	Nitrile / Zinc
Panel Nut	Acetal
Seals	Nitrile
Springs	Steel
Valve Assembly	Brass / Nitrile

#### WARNING

**Product rupture can cause serious injury.  
Do not connect regulator to bottled gas.  
Do not exceed maximum primary pressure rating.**

#### CAUTION:

**REGULATOR PRESSURE ADJUSTMENT** – The working range of knob adjustment is designed to permit outlet pressures within their full range. Pressure adjustment beyond this range is also possible because the knob is not a limiting device. This is a common characteristic of most industrial regulators, and limiting devices may be obtained only by special design.

For best performance, regulated pressure should always be set by increasing the pressure up to the desired setting.

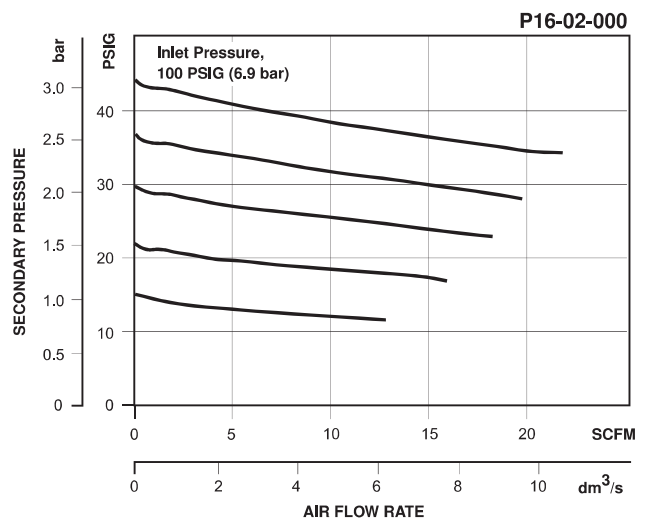
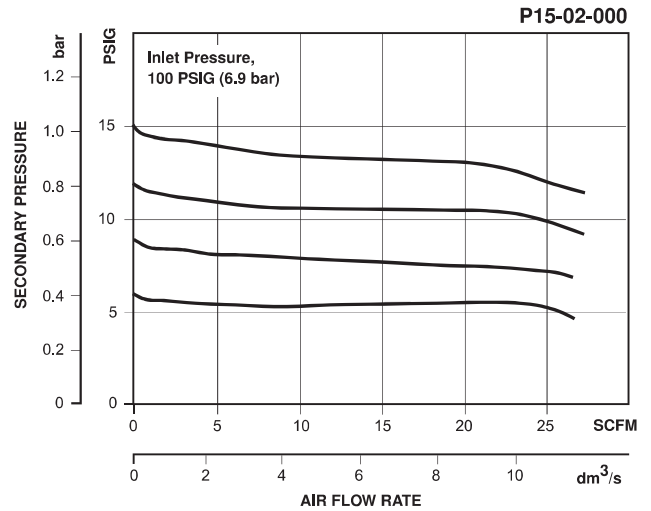
### Replacement Kits

- Diaphragm Assembly
  - Self-relieving, Fluorocarbon .....PRP-95-073
  - Self-relieving, Nitrile ..... PRP-95-960
- Knob, Adjusting (Series A)
  - Used on Units with Plastic Bonnets ..... RRP-95-023
- Knob, Adjusting (Prior to Series A)
  - Used on Units with Zinc Bonnets..... RRP-95-007
- Repair Kit, Non-relieving Diaphragm,
  - Valve / Valve Spring, O-rings ..... PRP-95-053
- Repair Kit, Self-relieving Diaphragm,
  - Valve / Valve Spring, O-rings ..... PRP-95-004
- Spring, Regulating –
  - 0 to 15 PSIG (0 to 1 bar) ..... RRP-95-233
  - 0 to 30 PSIG (0 to 2.1 bar).....RRP-95-916
  - 0 to 50 PSIG (0 to 3.4 bar) ..... RRP-95-222
  - 0 to 125 PSIG (0 to 8.6 bar) ..... RRP-95-224
- Valve, Fluorocarbon (Valve Only).....PPA-95-067
- Valve Assembly – Valve and Valve Spring.....PRP-95-959

### Accessories

- Gauge, Pressure, 2" Dial Face, 1/4 NPT, CBM
  - 0 to 30 PSIG (0 to 2.1 bar).....K4520N14030
  - 0 to 60 PSIG (0 to 4 bar) .....K4520N14060
  - 0 to 160 PSIG (0 to 11 bar)..... K4520N14160
- Nut, Panel Nut, Plastic..... GPA-95-032
- Tamper Resistant Kit, Ring Style..... RPA-95-006
- Wall Mounting Bracket
  - Gauge Port Adapter, 1/4 NPT ..... RRP-95-590
  - L-Type – Heavy Duty .....RPA-95-090
  - L-Type – Standard .....GPA-95-012
  - L-Type with Plastic Panel Mount Nut..... GPA-95-011

  = "Most Popular"



### Ordering Information

Model Type	Port Size	Standard Unit 0 to 15 PSIG (0 to 1 bar)	Standard Unit 0 to 50 PSIG (0 to 3.4 bar)	High Pressure 0 to 125 PSIG (0 to 8.6 bar)	Low Pressure 0 to 30 PSIG (0 to 2.1 bar)	Fluorocarbon Seals
<b>P15 Relieving</b>	1/4	P15-02-000	—	—	—	—
	3/8	P15-03-000	—	—	—	—
	1/2	P15-04-000	—	—	—	—
<b>P16 Relieving</b>	1/4	—	P16-02-000	P16-02-H00	P16-02-L00	P16-02-V00
	3/8	—	P16-03-000	P16-03-H00	P16-03-L00	P16-03-V00
	1/2	—	P16-04-000	P16-04-H00	P16-04-L00	P16-04-V00
<b>Non-relieving</b>	1/4	—	P16-02-N00	P16-02-HN0	—	P16-02-VN0
	3/8	—	P16-03-N00	P16-03-HN0	P16-03-LN0	P16-03-VN0
	1/2	—	P16-04-N00	P16-04-HN0	P16-04-LN0	P16-04-VN0

**Options** - To order an option supplied with the unit model, add the appropriate coded suffix letter in the designated position of the model number.

