



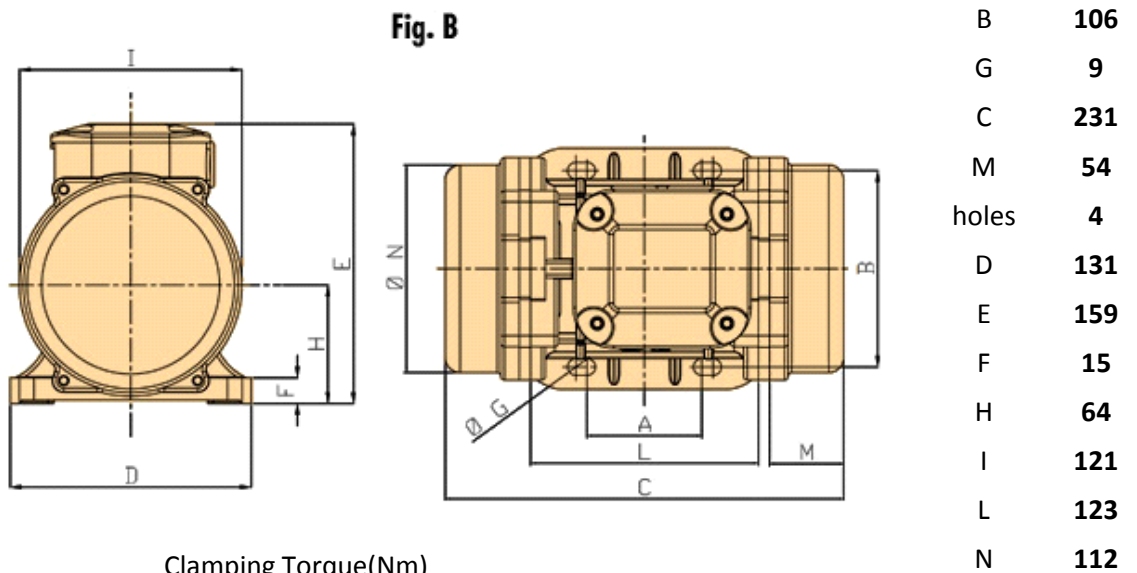
# MVE 200/36



Three Phases - 2 poles - 3600 RPM - 60 Hz  
230/460 Volt

Mechanical Features		Electric Features	
<b>General</b>		<b>General</b>	
Working Moment	<b>2.61</b> kgcm	Nominal Voltage	: <b>230 V</b> $\Delta$ : <b>460 V</b> <b>Y</b>
Unbalance	<b>1.3</b> kgcm	Input Power	<b>0.21</b> kW
FC	<b>189</b> kg	Current A Max	: <b>0.7 A</b> $\Delta$ <b>Y</b> : <b>0.35 A</b>
<b>Bearings</b>		Power factor	<b>0.87</b>
TYPE (SKF)	<b>6302</b>	la/ln	<b>3,3</b>
Life(h)	100% <b>4616</b> 80%: <b>9015</b> 50%: <b>36926</b>	<b>Certification</b>	
<b>Bearing Grease</b>		ETL CLASS II DIV.II GROUP F,G TENV NEMA 4	<b>T4</b>
Lube Schedule (g)		ATEX II 3D Ex tD A22 IP66	<b>T 100°</b>
Lube Replacement (g)		Max Amb Temp.	<b>40 °C</b>
Grease Type			

## Dimensional Features (mm)



Clamping Torque(Nm)

**23**

[ [Drawings Download](#) ]

Weight(kg)	Screw	Washer	Cable Type	Cable Glante
<b>7</b>	<b>M8</b>	<b>8.4x16</b>	<b>4Gx2.5</b>	<b>M20</b>

REV.0-01/10/2010

Eingefügt aus <<http://www.wamgroup.com/contents/rangeMVE/scheda.asp?unmis=m&fsn=n&codmve=6&codlang=1>>