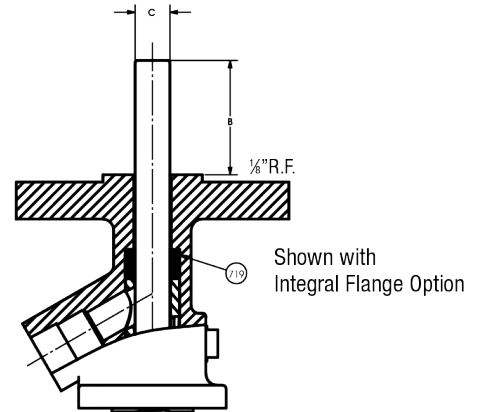


HAND OPERATED SAMPLING VALVES SV-500, SV-600, SV-700 AND SV-800

New Sampling Valves SV-500, SV-600 and SV-700 body no longer require a base ring. For older valves base rings, item #719 may be required as spare parts. Please consult your Strahman representative for verification.

Part No.	Description	Material	Part No.	Description	Material
701	LOCK NUT	304 SST	717*	PISTON	316 SST
704	BUSHING LOCK SCREW	304 SST	718*	INLET RING	TFE
705*	BUSHING	BRONZE	719	BASE RING	
706	BONNET	304 SST	720	BODY	316 SST
707*	STEM	416 SST	724	GLAND NUTS	303 SST
708	GLAND	304 SST	725	GLAND STUDS	304 SST
712	BONNET NUTS	303 SST	731	CAGE LOCK	316 SST
713	BONNET STUDS	304 SST	740*	CAGE LOCK GASKET	RTFE
714*	GLAND RING	TFE	741	OPENING INDICATOR	304 SST
715	CAGE	316 SST	742	CRANK HANDLE	MALLEABLE IRON
716*	SPLIT NUT	316 SST			

* Denotes recommended spare parts
Wetted parts outlined



SV-500 3/8" x 1/4" ANSI 600							
A Closed	A Open	B	C	D	E	G NPT	H NPT
11 3/8"	13 3/4"	0"	.243"	1 1/8"	3 1/32"	3/8"	1/4"
13 3/8"	17 3/4"	2"	.243"	1 1/8"	3 1/32"	3/8"	1/4"
15 3/8"	21 3/4"	4"	.243"	1 1/8"	3 1/32"	3/8"	1/4"
17 3/8"	25 3/4"	6"	.243"	1 1/8"	3 1/32"	3/8"	1/4"

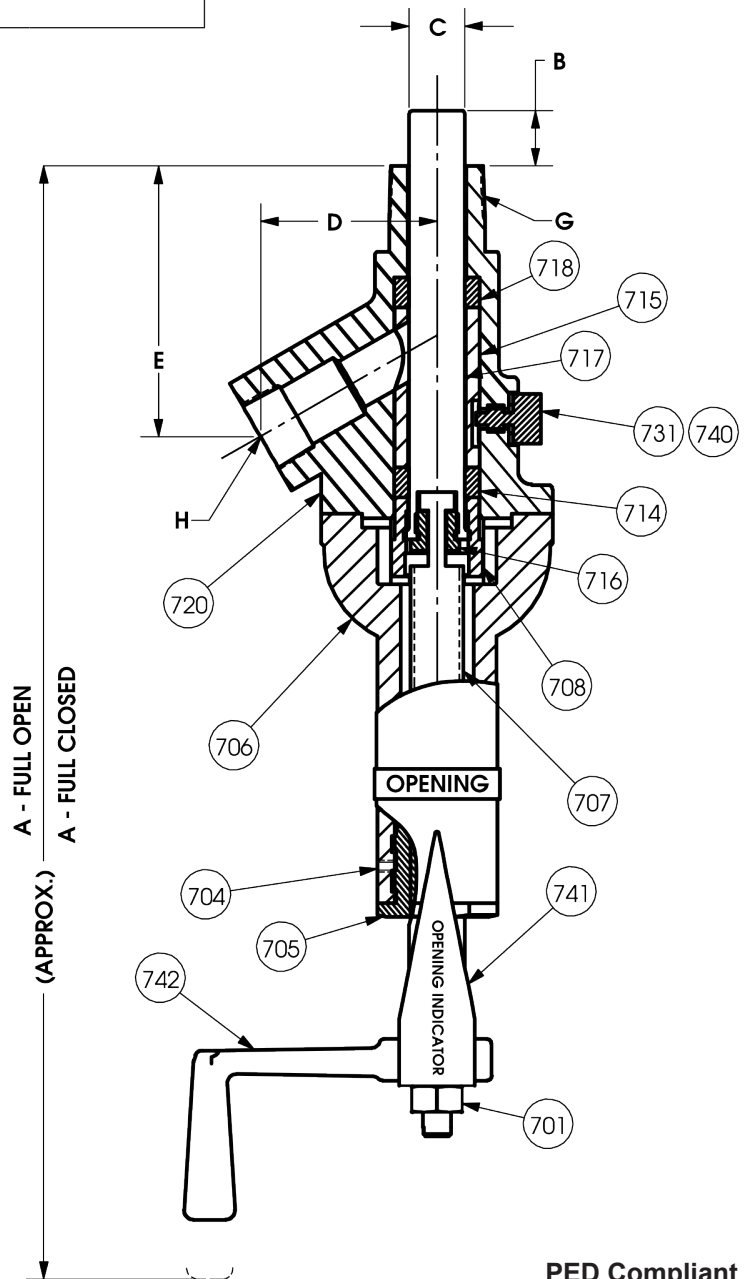
SV-600 1/2" x 3/8" ANSI 600							
A Closed	A Open	B	C	D	E	G NPT	H NPT
11 3/8"	13 3/4"	0"	.368"	1 1/8"	3 1/32"	1/2"	3/8"
13 3/8"	17 3/4"	2"	.368"	1 1/8"	3 1/32"	1/2"	3/8"
15 3/8"	21 3/4"	4"	.368"	1 1/8"	3 1/32"	1/2"	3/8"
17 3/8"	25 3/4"	6"	.368"	1 1/8"	3 1/32"	1/2"	3/8"

SV-700 3/4" x 1/2" and 3/4" x 3/4" ANSI 600							
A Closed	A Open	B	C	D	E	G NPT	H NPT
11 3/8"	13 7/8"	0"	.590"	1 1/8"	3 1/32"	3/4"	1/2", 3/4"
13 3/8"	17 7/8"	2"	.590"	1 1/8"	3 1/32"	3/4"	1/2", 3/4"
15 3/8"	21 7/8"	4"	.590"	1 1/8"	3 1/32"	3/4"	1/2", 3/4"
17 3/8"	25 7/8"	6"	.590"	1 1/8"	3 1/32"	3/4"	1/2", 3/4"

SV-800 1" x 3/4" and 1" x 1" ANSI 600							
A Closed	A Open	B	C	D	E	G NPT	H NPT
12 5/8"	15 1/2"	0"	.787"	2 3/8"	3 5/8"	1"	3/4", 1"
14 5/8"	19 1/2"	2"	.787"	2 3/8"	3 5/8"	1"	3/4", 1"
16 5/8"	23 1/2"	4"	.787"	2 3/8"	3 5/8"	1"	3/4", 1"
18 5/8"	27 1/2"	6"	.787"	2 3/8"	3 5/8"	1"	3/4", 1"

"B" DIM ± 1/16"
"C" DIM ± .002"

Forward Deck details see page 7, Item #712, #713, #724, #725



PED Compliant