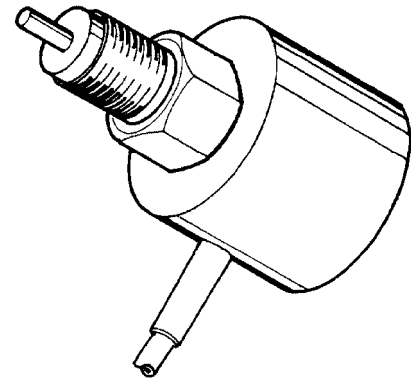


The flow sensor controls liquid media and indicates flow failure resp. deviation from a free adjustable flow velocity. The sturdy stainless steel casing serves for heat transfer in the calorimetric measuring principle. The integrated electronic unit makes possible:

- simple commissioning
- safe detection of condition
- maintenance-free operation

LEDs show the required safety margin for operation, i. e. if the difference between the flow existing and the limit value set renders possible a trouble-free operation



## Technical Data

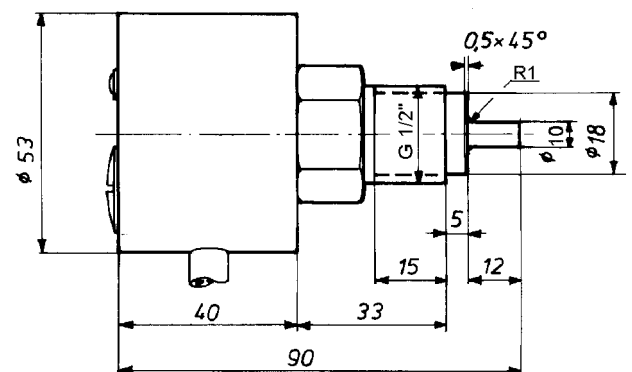
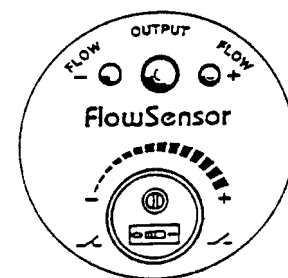
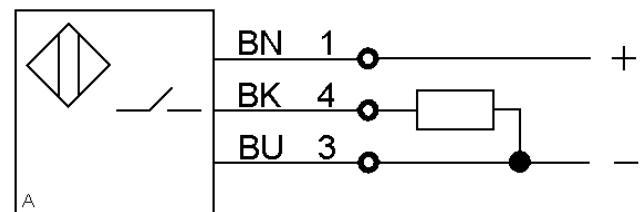
<b>Type</b>	<b>FKE 604.18 G</b>
Art.-No.	8382A
Output	PNP n. o. / n. c. switchable
Adjusting range	30 - 3000 mm/s
Pressure resistance	100 bar
Response time	approx. 1 to 15 s
Readiness delay	45 s
Supply voltage	20 - 36 V DC
Load current max.	0 - 400 mA
Short circuit protection	yes, pulsing
no load current	max. 80 mA
Voltage drop	2,5 V
Ambient temperature	0 to +80 °C
storage temperature	-40 to +100 °C
Protection class	IP 67
Connection	2 m cable
Indication of safety margin for operation ( flashing LED )	+30 % LED green -30 % LED red at approx. 300 mm/s
Housing material	sensor stainless steel V2A 1.4305 electronic unit plastic

LED green Flow +	LED red Flow -	LED yellow = output +24 V dependent on switch position		Flow
		n. c.	n. o.	
●			●	ok., with operation safety margin
○			●	ok., near to switchpoint
	○	●		low, near to switchpoint
	●	●		failure
indication see above		○	○	output pulsing in case of overload
●	●		●	readiness delay after application of service voltage

● = LED steady light    ○ = LED flashing

## Diagram of Connections

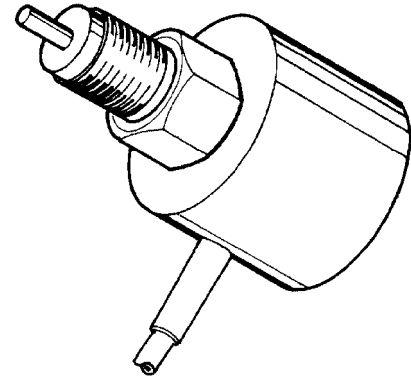
DC 3-Draht PNP Schließer



The flow sensor controls liquid media and indicates flow failure resp. deviation from a free adjustable flow velocity. The sturdy stainless steel casing serves for heat transfer in the calorimetric measuring principle. The integrated electronic unit makes possible:

- simple commissioning
- safe detection of condition
- maintenance-free operation

LEDs show the required safety margin for operation, i. e. if the difference between the flow existing and the limit value set renders possible a trouble-free operation



## Technical Data

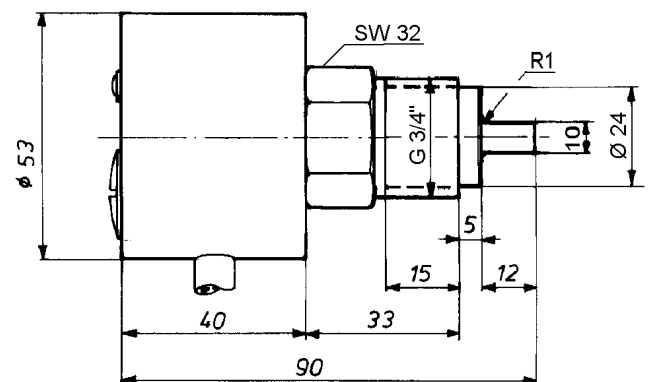
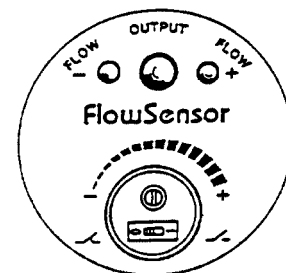
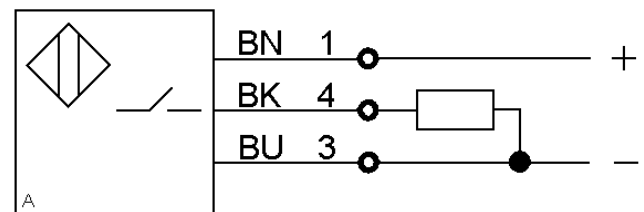
<b>Type</b>	<b>FKF 604.18 G</b>
Art.-No.	8381A
Output	PNP n. o. / n. c. switchable
Adjusting range	30 - 3000 mm/s
Pressure resistance	100 bar
Response time	approx. 1 to 15 s
Readiness delay	45 s
Supply voltage	20 - 36 V DC
Load current max.	0 - 400 mA
Short circuit protection	yes, pulsing
no load current	max. 80 mA
Voltage drop	2,5 V
Ambient temperature	0 to +80 °C
storage temperature	-40 to +100 °C
Protection class	IP 67
Connection	2 m cable
Indication of safety margin for operation ( flashing LED )	+30 % LED green -30 % LED red at approx. 300 mm/s
Housing material	sensor stainless steel V2A 1.4305 electronic unit plastic

LED green Flow +	LED red Flow -	LED yellow = output +24 V dependent on switch position		Flow
		n. c.	n. o.	
●			●	ok., with operation safety margin
○			●	ok., near to switchpoint
	○	●		low, near to switchpoint
	●	●		failure
indication see above		○	○	output pulsing in case of overload
●	●		●	readiness delay after application of service voltage

● = LED steady light    ○ = LED flashing

## Diagram of Connections

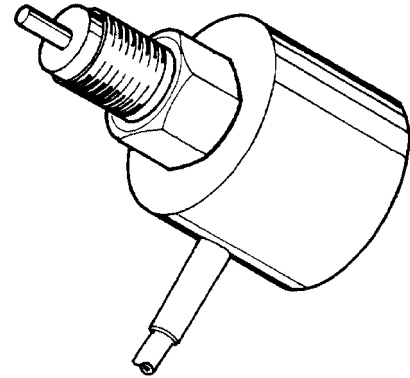
DC 3-Draht PNP Schließer



The flow sensor controls liquid media and indicates flow failure resp. deviation from a free adjustable flow velocity. The sturdy stainless steel casing serves for heat transfer in the calorimetrical measuring principle. The integrated electronic unit makes possible:

- simple commissioning
- safe detection of condition
- maintenance-free operation

LEDs show the required safety margin for operation, i. e. if the difference between the flow existing and the limit value set renders possible a trouble-free operation



## Technical Data

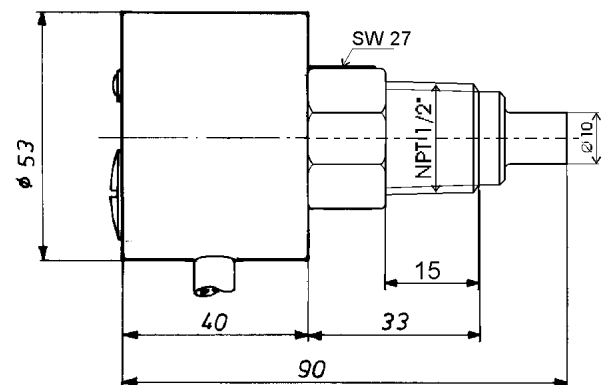
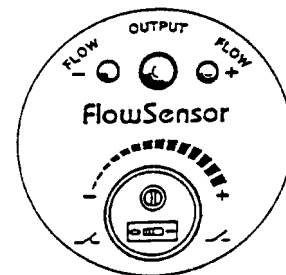
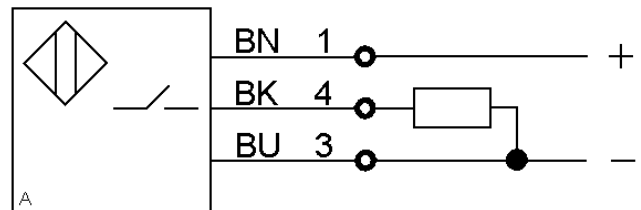
<b>Type</b>	<b>FKEN 604.18 G</b>
Art.-No.	8375A
Output	PNP n. o. / n. c. switchable
Adjusting range	30 - 3000 mm/s
Pressure resistance	100 bar
Response time	approx. 1 to 15 s
Readiness delay	45 s
Supply voltage	20 - 36 V DC
Load current max.	0 - 400 mA
Short circuit protection	yes, pulsing
no load current	max. 80 mA
Voltage drop	2,5 V
Ambient temperature	0 to +80 °C
storage temperature	-40 to +100 °C
Protection class	IP 67
Connection	2 m cable
Indication of safety margin for operation ( flashing LED )	+30 % LED green -30 % LED red at approx. 300 mm/s
Housing material	sensor stainless steel V2A 1.4305 electronic unit plastic

LED green Flow +	LED red Flow -	LED yellow = output +24 V dependent on switch position		Flow
		n. c.	n. o.	
●			●	ok., with operation safety margin
○			●	ok., near to switchpoint
	○	●		low, near to switchpoint
	●	●		failure
indication see above		○	○	output pulsing in case of overload readiness delay after application of service voltage
●	●		●	

● = LED steady light    ○ = LED flashing

## Diagram of Connections

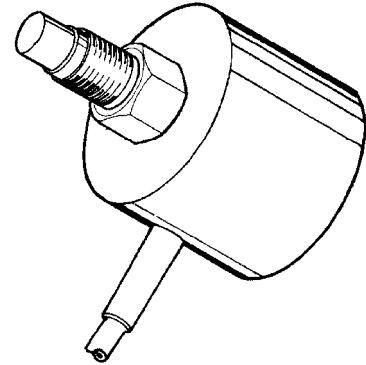
DC 3-Draht PNP Schließer



The flow sensor controls liquid media and indicates flow failure resp. deviation from a free adjustable flow velocity. The sturdy stainless steel casing serves for heat transfer in the calorimetric measuring principle. The integrated electronic unit makes possible:

- simple commissioning
- safe detection of condition
- maintenance-free operation

LEDs show the required safety margin for operation, i. e. if the difference between the flow existing and the limit value set renders possible a trouble-free operation



## Technical Data

<b>Type</b>	<b>FKC 604.18 G</b>
Art.-No.	8378A
Output	PNP n. o. / n. c. switchable
Adjusting range	30 - 3000 mm/s
Pressure resistance	100 bar
Response time	approx. 1 to 15 s
Readiness delay	45 s
Supply voltage	20 - 36 V DC
Load current max.	0 - 400 mA
Short circuit protection	yes, pulsing
no load current	max. 80 mA
Voltage drop	2,5 V
Ambient temperature	0 to +80 °C
storage temperature	-40 to +100 °C
Protection class	IP 67
Connection	2 m cable
Indication of safety margin for operation ( flashing LED )	+30 % LED green -30 % LED red at approx. 300 mm/s
Housing material	sensor stainless steel V2A 1.4305 electronic unit plastic

LED green Flow +	LED red Flow -	LED yellow = output +24 V dependent on switch position		Flow
		n. c.	n. o.	
●			●	ok., with operation safety margin
○			●	ok., near to switchpoint
	○	●		low, near to switchpoint
	●	●		failure
indication see above		○	○	output pulsing in case of overload
●	●		●	readiness delay after application of service voltage

● = LED steady light    ○ = LED flashing

## Diagram of Connections

DC 3-Draht PNP progr.

