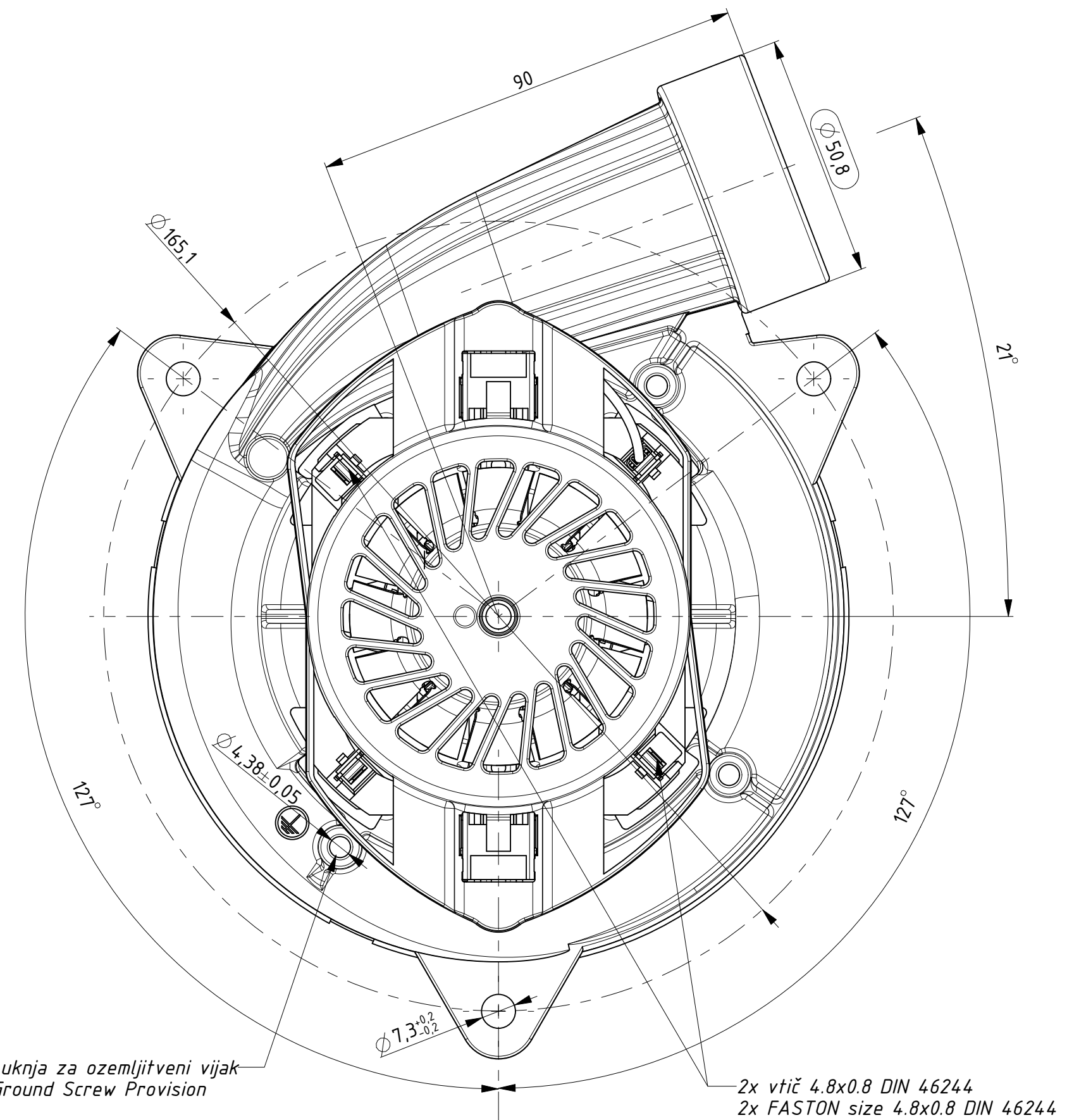
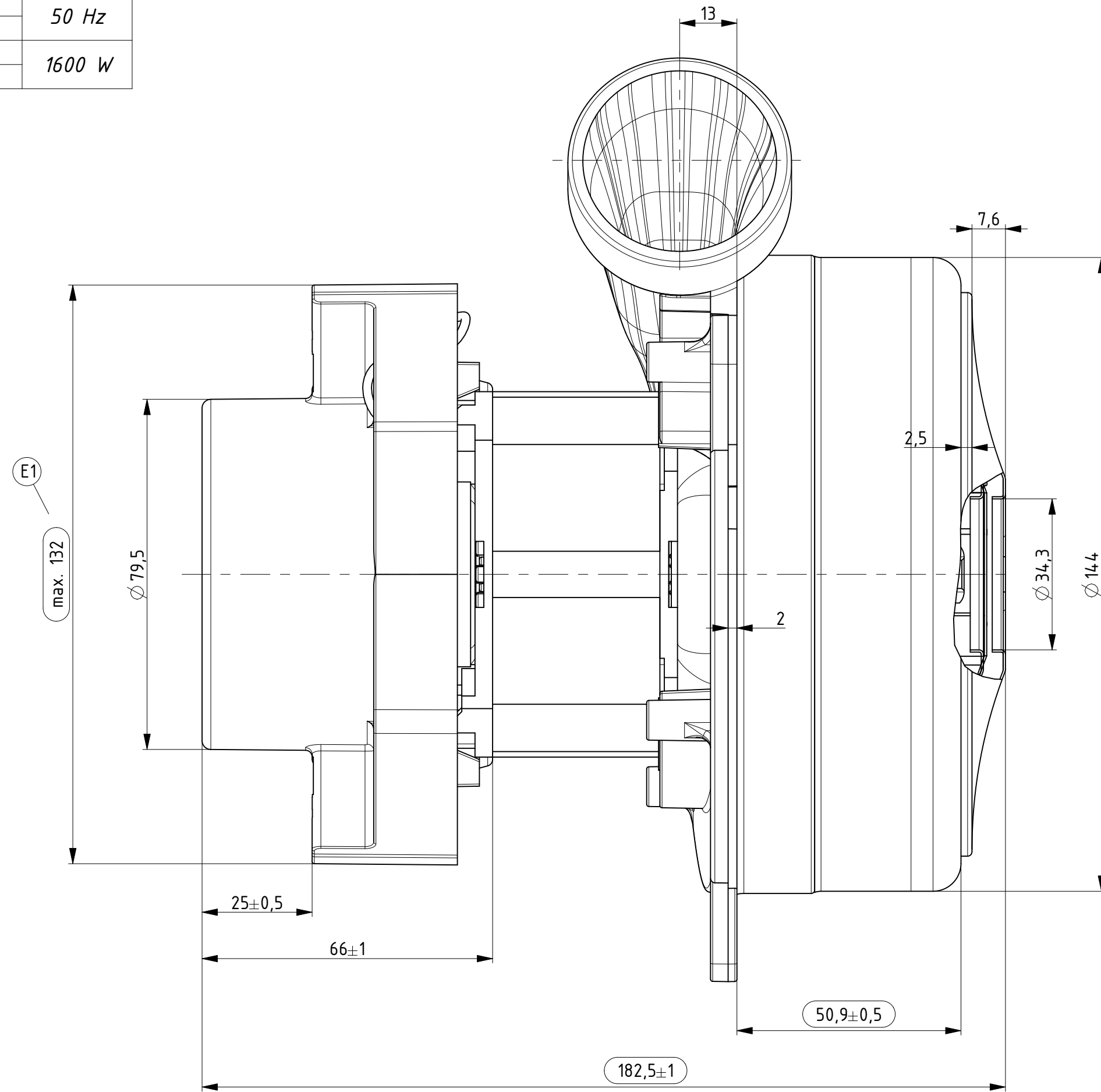


NAPETOST VOLTAGE	230 V
FREKVENCA FREQUENCY	50 Hz
NAZIVNA MOČ NOMINAL POWER	1600 W



Izdelano s CAD/ProEngineer - načno spreminjanje ni dovoljeno! Vsa prenos tretjim osebam ali uporaba v nedogovorjene namene ni dovoljena po zakonu o avtorskih pravicah. Made with CAD/ProEngineer - changing is not allowed! Any unauthorized copying of this drawing or unauthorized distribution of the information contained herein is prohibited.

家用真空吸尘器用单相串励电动机-风机
 230 V 7,2A 50 Hz 4913.714-4
 1600 W (输入) 540 W (输出) 24000r/min
 产地: 斯洛文尼亚 Class(等级)155(F)

Oznake natisnjene na SE:
 Information stamped on VCM:

ECVS 300370 DOMEL d.o.o. 4913.714-4
 MADE IN SLOVENIA 230V 50 Hz
 XXXX I.C.I.F.

OSNOVNE ZNAČILNOSTI		TYPICAL CHARACTERISTICS	
IZVEDBA	DVOSTOPENJSKA	FAN SYSTEM	TWO STAGE
VLEŽAJENJE	DVA KROGLIČNA LEŽAJA	BEARINGS	DUAL BALL
VRSTA PRETOKA	MIMO MOTORJA	DISCHARGE	BY PASS
SMER VRTENJA	LEVA	DIRECTION OF ROTATION	CCW

All dimensions in mm.

, * - pomembna mera
 important dimension

				Tolerance odprtih mer Tolerances without individual indications ISO 8015 ISO 2768 - mK	Površinska hrapavost Surface finishing	Merilo Scale			Original format ISO 5457 - A2	
				Datum/Date	Ime/Name	Gradivo / Material				
				Izdelal Designed	5.11.2009	M. Novinc	Naziv Title			
				Pregl. Verified	12.12.2013	J. Rihtaršič	SESALNA ENOTA VACUUM CLEANER MOTOR			
Ozn. Mark	Sf. Nr. of notice	Datum Date	Ime Name			Koda Code	4913.714-4		List Sheet	
E1	11064	12.12.13	I. Potočnik						3+	
D1	10609	26.02.13	I. Potočnik							
C1	10141	12.01.12	I. Potočnik							
B1	9648	26.11.10	I. Potočnik							
A0	9198	10.11.09	Novinc M.							
						4913714.004_SESALNA_ENOTA		Stran Page		
				Otoki 21, 4228 Železniki, Slovenija				1		