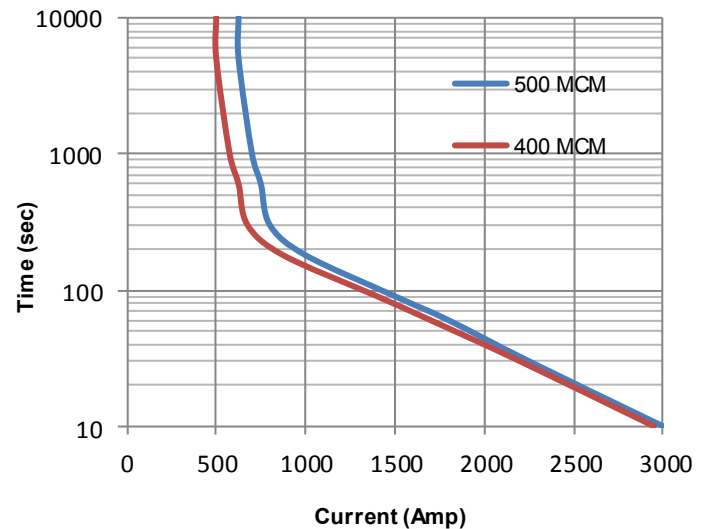


Key Features

| | |
|---------------------------------|---|
| EPIC® Seal | Ceramic to metal braze. Gas filled hermetic chamber protects key components. Exceeds IP69K standard |
| Temperature | Tested to temperatures up to 200°C |
| Contacts / Form | Silver / SPST / NO |
| Coil | Efficient two coil design with no PWM or EMI emissions. Coil suppression built in |
| High Shock and Vibration | For rugged environments, off-road and tracked vehicles |
| Installation | Not direction sensitive |
| Made in USA | Designed and manufactured in the USA |
| Reference | MIL-R-6106, RoHS |

Current Carry vs Time
with 85°C terminal temperature rise



Mounting Hardware

M8 [5/16"] Bolts (not incl.)

Torque 2-4 Nm [18-35 in-lb]

Case Material

Zytel FR 50

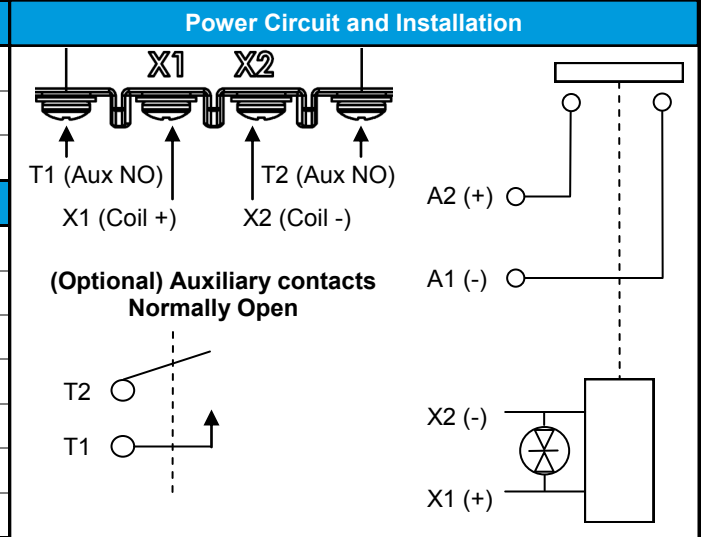
| Technical Specification | |
|-----------------------------|---------------------------------------|
| Continuous Current | 600A w/ 500MCM (see graph on reverse) |
| Max Current—1 sec | 4000A |
| Max Current—10 sec | 3000A |
| Max Current—90 sec | 1500A |
| Contact Voltage Drop (max) | 150mV at 600A |
| Insulation Resistance (min) | 100MΩ (50MΩ after life) |
| Dielectric Withstanding | 1500VRMS (1050 VRMS after life) |
| Operate Time (max) | 20 msec (include bounce) |
| Release Time (max) | 12 msec |
| Weight | 1.7 lb (770 grams) |

MX56 _ D _

Coil Voltage:
B = 12V
C = 24V
F = 48V

Auxiliary Contacts:
Blank = none
B = SPST, Normally Open

| Resistive Load Switching | |
|--------------------------|----------------|
| 600A at 24 VDC | 100,000 cycles |
| Mechanical Life | 300,000 cycles |
| Fault Interrupt @ 28VDC | 4000A |



| Environmental Specifications | |
|--|---|
| Seal | Hermetic, 10 E-9 atm cc/sec |
| Temperature Range | -55°C to +90°C |
| Shock | Sawtooth @ 20G, 11ms, ½ Sine @ 25G, 11ms |
| Vibration | 10-2000 Hz, 20G |
| Water / Steam | 2750 psi waterjet, 105 psi steam, boiling water |
| Salt Spray Corrosion | MIL-STD-810G |
| Resistant to corrosion, chemicals, and fungal growth | |

| Auxiliary contacts (optional) - Form A, SPST Normally Open | |
|--|-------------|
| Switching Current (max) | 1A at 28VDC |
| Switching Current (min) | 0.1mA at 5V |

| Coil Data | | | |
|---|----------------|---------------|-------------|
| *Contact factory for additional coil voltages | | | |
| Coil Part # | B | C | F |
| Nominal Voltage | 12 VDC | 24 VDC | 48 VDC |
| Max Voltage | 16 VDC | 33VDC | 60 VDC |
| Pickup Voltage (max) | 10 VDC | 20 VDC | 40 VDC |
| Dropout Voltage | 0.5 to 5.5 VDC | 0.5 to 10 VDC | 2 to 21 VDC |
| Pull-in Current (max 75ms) | 3.5 A | 1.8 A | 0.9 A |
| Coil Current (Amps) | 0.65 A | 0.3 A | 0.06 A |
| Coil Power (Watts) | 8 W | 8 W | 2.88 W |
| Internal Coil Suppression | Transorb | | |
| Coil Back EMF | 45V | | 110V |



| Options and Accessories | |
|-------------------------|--|
| | |
| | |

GIGAVAC®

See [Terms of Use](#) for additional information

www.gigavac.com info@gigavac.com +805-684-8401

Rev 1 11/11/10 © 2010 GIGAVAC, LLC Page 2 of 2 **MX56**