

CAD PART p44coilassy11630

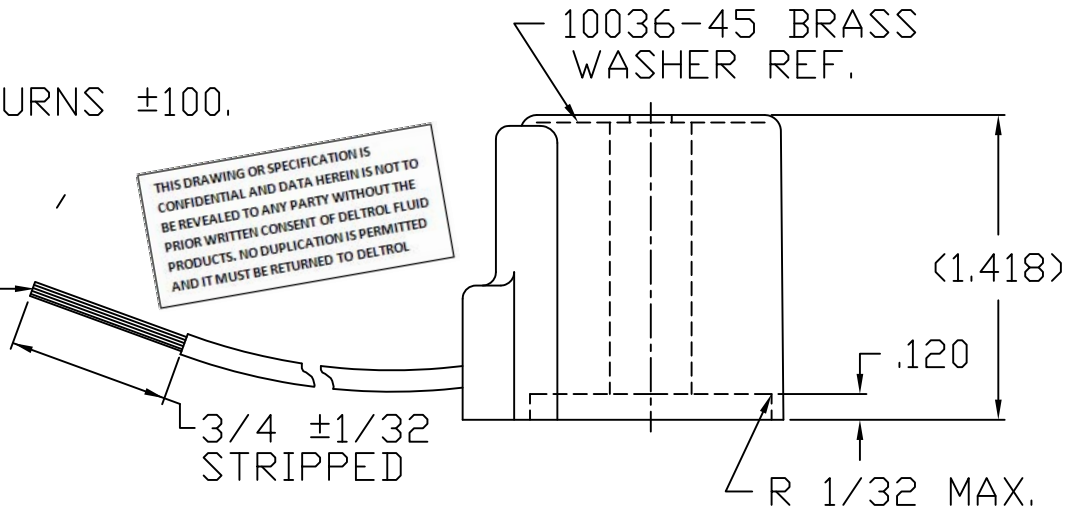
10116-30

REVISIONS

SPECIFICATIONS:  
 NOMINAL VOLTAGE: 12 VDC, 18 WATT  
 DUTY: INTERMITTENT  
 RESISTANCE: 8.0 OHMS ±10% @ 25°C.  
 COIL TREATMENT: CLASS "A" COIL,  
 RYNITE ENCAPSULATION  
 MAGNET WIRE: 26 AWG. (.0170), 1001 TURNS ±100.

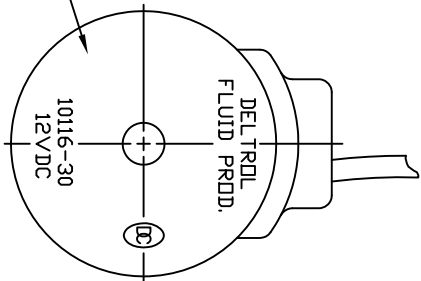
ECD	SYM.	DESCRIPTION	DATE	APPD.
	C	ADDED DATE CODE STAMPING, RDWN TO CAD & ADDED CONTROLS P/N 80011-50, ENCAPSULATION WAS NYLON OR POLYESTER	2-13-95	WB

14" ±1" LONG RED  
 LEADS 20 GA. (10x30), .100 O.D.  
 INTERNALLY GROUND TO CAN  
 UL 3173 POLYETHYLENE

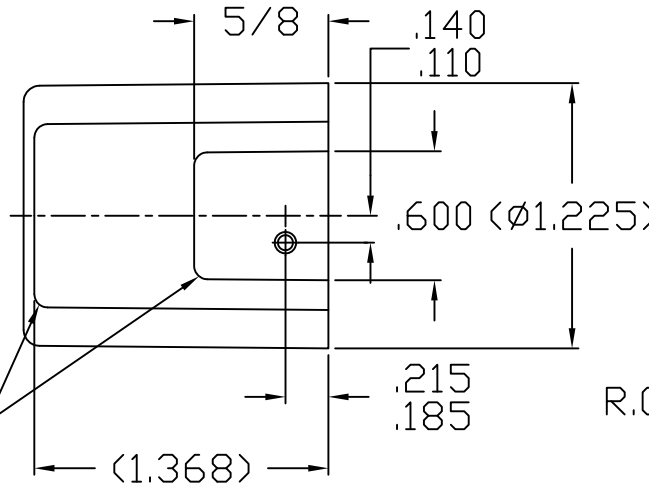


THIS DRAWING OR SPECIFICATION IS  
 CONFIDENTIAL AND DATA HEREIN IS NOT TO  
 BE REVEALED TO ANY PARTY WITHOUT THE  
 PRIOR WRITTEN CONSENT OF DELTROL FLUID  
 PRODUCTS. NO DUPLICATION IS PERMITTED  
 AND IT MUST BE RETURNED TO DELTROL

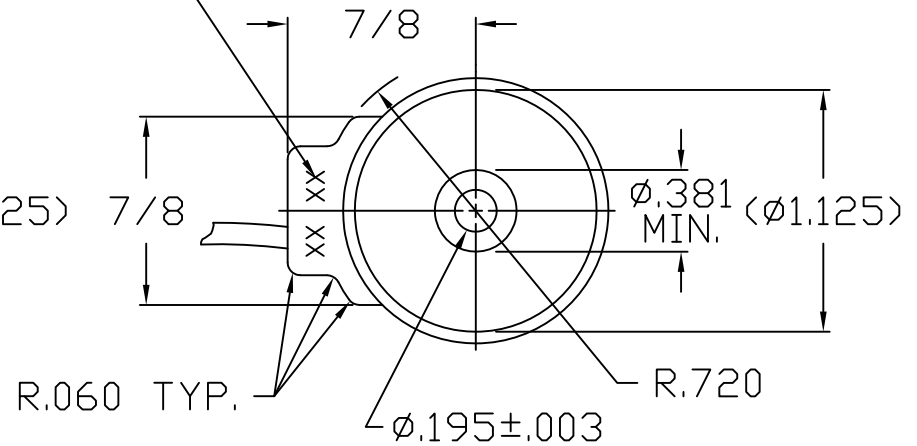
METAL STAMP:



R.060 TYP.



DATE CODE



MATERIAL:  
 CONTROLS P/N  
 80011-50

UNLESS OTHERWISE SPECIFIED  
 DIMENSIONS ARE IN INCHES  
 TOLERANCES:  
 FRACTIONS DECIMALS ANGLES  
 ± 1/64 .XXX ± .010 ± 1°  
 BREAK SHARP EDGES .005/.010  
 REMOVE BURRS

DRAWN WB 2-13-95  
 CHKD. DATE  
 APPD. DATE

COIL ASSY.  
 12 VDC 18 WATT  
 SINGLE LEAD, INT. GROUND

**DELTROL**  
*fluid products*  
 Division of Deltrol Corp.  
 Bellwood, Illinois

FINISH: \_\_\_\_\_

MACHINED SURFACE FINISH 125/√

SCALE 1:1

PRINT ISSUED

3/8 TUBE 10-32 STUD

TP CODE 44

10116-30