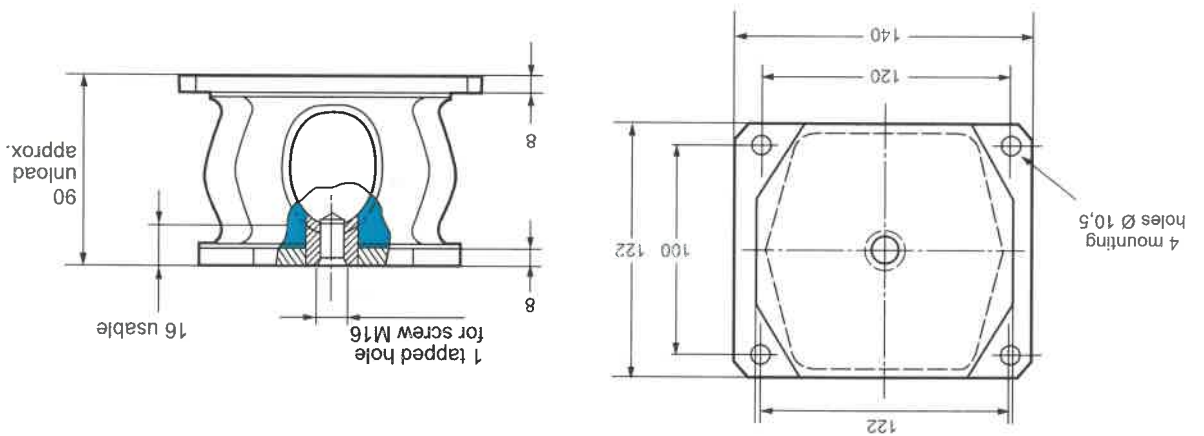


DIMENSIONS



OPERATING CHARACTERISTICS

Natural frequency :

- axial : 10 to 25 Hz;

- radial : 10 to 25 Hz.

Maximum permitted excitation at natural frequency of suspension : ± 1.6 mm.

Maximum travel available for shocks : - axial 40 mm;
- radial 75 mm.

Operating temperature see table.
Weight : 2.6 kg.

Reference	Axial static load (daN)	Damping	Resistance to oils and hydrocarbons	Resistance to fatigue	Operating temperature
E1T2105S01	2-20	***	*	*	- 54 to + 150 °C
E1T2105-41	10-100	*	***	**	- 25 to + 90 °C
E1T2105-42	20-200	*	***	**	- 25 to + 90 °C
E1T2105-43	40-400	*	***	**	- 25 to + 90 °C
E1T2105-21	10-100	***	*	***	- 40 to + 90 °C
E1T2105-22	20-200	***	*	***	- 40 to + 90 °C
E1T2105-23	50-400	***	*	***	- 40 to + 90 °C