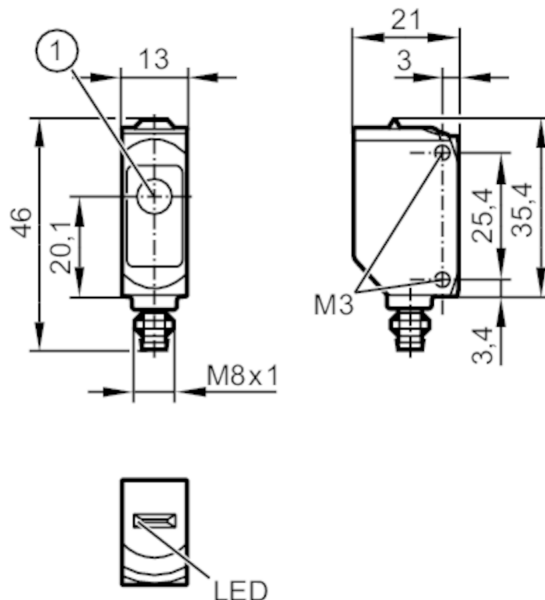


O6S202



Through-beam sensor transmitter

O6S-00KG/AS/3P



1: Sensing surface



Product characteristics

Type of light	red light
Housing	rectangular

Application

Function principle	Through-beam sensor
--------------------	---------------------

Electrical data

Operating voltage	[V]	10...30 DC
Current consumption	[mA]	11; ((24 V))
Protection class		III
Type of light		red light
Wave length	[nm]	633

Monitoring range

Transmitter / receiver		transmitter
Range	[m]	< 10
Max. light spot diameter	[mm]	300
Light spot dimensions refer to		at maximum range

Operating conditions

Ambient temperature	[°C]	-25...60
Protection		IP 65; IP 67

Tests / approvals

EMC		EN 60947-5-2
MTTF	[years]	2600
UL approval		UL approval number E002

O6S202



Through-beam sensor transmitter

O6S-OOKG/AS/3P

Mechanical data		
Weight	[g]	17.7
Housing		rectangular
Dimensions	[mm]	35.4 x 13 x 21
Material		housing: ABS; PPSU
Lens material		PMMA
Lens alignment		Side sensing
Sealing material		EPDM
Tightening torque	[Nm]	0.5

Displays / operating elements		
Display	Power	1 x LED, green

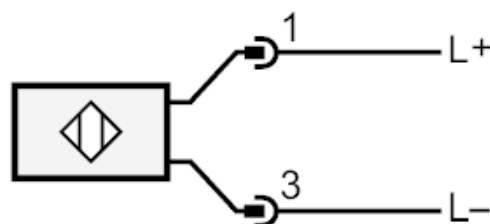
Remarks	
Remarks	cULus - Class 2 source required
Pack quantity	1 pcs.

Electrical connection

Connector: 1 x M8; coding: A; Locking: brass, coated; sealing: EPDM



Connection



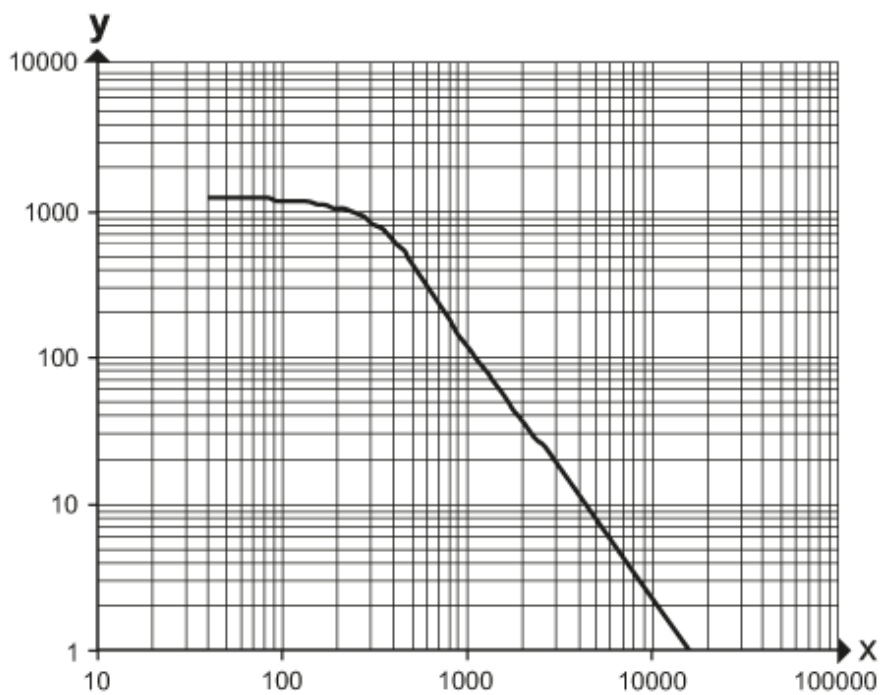


Through-beam sensor transmitter

O6S-00KG/AS/3P

Diagrams and graphs

excess gain graph



x: distance [mm]

y: excess gain factor