

25W

INDUCTION MOTOR, REVERSIBLE MOTOR
 80mm TERMINAL BOX TYPE

INDUCTION MOTOR - CONTINUOUS RATING

SIZE mm sq.	Type	Poles	Output (W)	Voltage (V)	Frequency (Hz)	Duty	Rated Load				Starting Torque		Capacitor (uF)
							Current (A)	Speed (rpm)	Torque		(kg-cm)	(N-m)	
80	S8I25GA-T S8I25GA-T1	4	25	1 ϕ 110	60	Cont.	0.51	1600	1.60	0.160	1.80	0.180	6.0
	S8I25GB-T S8I25GB-T1	4	25	1 ϕ 220	60	Cont.	0.23	1550	1.65	0.165	1.80	0.180	1.5
	S8I25GC-T S8I25GC-T1	4	25	1 ϕ 100	50 60	Cont.	0.57 0.52	1250 1550	2.00 1.65	0.200 0.165	1.45	0.145	6.0
	S8I25GD-T S8I25GD-T1	4	25	1 ϕ 200	50 60	Cont.	0.30 0.29	1250 1550	2.00 1.500	0.200 0.170	1.45	0.145	1.5
	S8I25GX-T S8I25GX-T1 S8I25GX-TCE S8I25GX-T1CE	4	25	1 ϕ 220 1 ϕ 240	50	Cont.	0.23 0.25	1200	2.10 2.20	0.210 0.220	1.10 1.30	0.110 0.180	1.3
	S8I25GU-T S8I25GU-T1 S8I25GU-TCE S8I25GU-T1CE	4	25	3 ϕ 200	50 60	Cont.	0.26 0.24	1300 1550	1.95 1.65	0.195 0.165	3.50 2.90	0.350 0.290	-
	S8I25GT-T S8I25GT-T1 S8I25GT-TCE S8I25GT-T1CE	4	25	3 ϕ 220	50 60	Cont.	0.28 0.24	1350 1600	1.90 1.60	0.190 0.160	4.20 3.50	0.420 0.350	-
	S8I25GS-T S8I25GS-T1 S8I25GS-TCE S8I25GS-T1CE	4	25	3 ϕ 380 3 ϕ 400 3 ϕ 415 3 ϕ 440	50 60 50 60	Cont. Cont. Cont. Cont.	0.14 0.12 0.15 0.13 0.15 0.13	1250 1500 1300 1550 1300 1550	2.00 1.70 1.95 1.65 2.10 1.80	0.200 0.170 0.195 0.165 0.210 0.180	3.15 2.50 3.75 3.00 4.40 3.40	0.315 0.250 0.375 0.300 0.440 0.340	-

- *CE* marked at the end of the model name indicates that it is thermally protected type which has received CE marking (File NO. E9766002ED1, Certificate Institute: TÜV Rheinland) with built-in TP.
- *TP* marked at the end of the model name indicates that it is standard motor with Thermal Protector mounted. S8I25GX-T, S8I25GS-T is thermally protected type with TP mounted.
- There is no marked the 'L' code for it is an exclusive use.

REVERSIBLE MOTOR - 30MINUTES RATING

SIZE mm sq.	Type	Poles	Output Voltage		Frequency (Hz)	Duty	Current (A)	Rated Load		Starting Torque		Capacitor (uF)	
			(W)	(V)				Speed (rpm)	Torque (Kg-Cm) (N-m)	(Kg-Cm) (N-m)			
80	S8R25GA-T S8R25GA-T S8R25GA-T(TP) S8R25GA-T1(TP) S8R25GA-TCE S8R25GA-T1CE	4	25	1 ϕ 110	60	30Min.	0.71	1550	1.70	0.170	2.30	0.230	10.0
	S8R25GB-T S8R25GB-T S8R25GB-T(TP) S8R25GB-T1(TP) S8R25GB-TCE S8R25GB-T1CE	4	25	1 ϕ 220	60	30Min.	0.35	1600	1.65	0.165	2.30	0.230	2.5
	S8R25GC-T S8R25GC-T S8R25GC-T(TP) S8R25GC-T1(TP) S8R25GC-TCE S8R25GC-T1CE	4	25	1 ϕ 100	50 60	30Min.	0.63 0.70	1250 1500	2.10 1.70	0.210 0.170	1.80	0.180	10.0
	S8R25GD-T S8R25GD-T S8R25GD-T(TP) S8R25GD-T1(TP) S8R25GD-TCE S8R25GD-T1CE	4	25	1 ϕ 200	50 60	30Min.	0.33	1250 1550	2.10 1.70	0.210 0.170	1.80	0.180	2.5
	S8R25GE-T S8R25GE-T S8R25GE-TCE S8R25GE-T1CE	4	25	1 ϕ 100 1 ϕ 115	50 60 60	30Min.	0.60 0.65 0.63	1250 1450 1550	2.10 1.80 1.70	0.210 0.180 0.170	1.30	0.130	8.0 7.0
	S8R25GX-T S8R25GX-T S8R25GX-TCE S8R25GX-T1CE	4	25	1 ϕ 220 1 ϕ 240	50	30Min.	0.26 0.28	1250	2.00 2.20	0.200 0.220	1.70	0.170	2.0

- Please use appropriate capacitors according to the using voltage for S8R25GE-T type since the size of the capacitors differ to the different voltages and when not used properly, it may cause malfunction. Please inform required voltage when ordering or capacitor for 115V will be delivered.
- "CE" marked at the end of the model name indicates that it is thermally protected type which has received CE marking (File NO. E9766002E01, Certificate Institute: TÜV Rhinland) S8R25GE-TCE is available only for 115V specification.
- "TP" marked at the end of the model name indicates that it is standard motor with Thermal Protector mounted. S8R25GE-T, S8R25GX-T is thermally protected type with TP mounted.
- Above data is measured with friction brake mounted.
- There is no marked the 'L' code for it is an exclusive use.

50Hz

GEAR RATIO		3	3.6	5	6	7.5	9	10	12.5	15	18	20	25	30	36	40	50	60	75	90	100	120	150	180	200
MODEL	rpm	500	416	300	250	200	166	150	120	100	83	75	60	50	41	37	30	25	20	16	15	12	10	8	7.5
S8KA_B	kg-cm	5.3	6.4	8.9	10.7	13.4	16.0	17.8	22.3	26.7	32.1	32.1	40.2	48.2	57.8	64.2	72.6	80.0	80.0	80.0	80.0	80.0	80.0	80.0	80.0
	N-m	0.519	0.627	0.872	1.049	1.313	1.568	1.744	2.185	2.617	3.146	3.146	3.940	4.724	5.664	6.292	7.115	7.840	7.840	7.840	7.840	7.840	7.840	7.840	7.840

60Hz

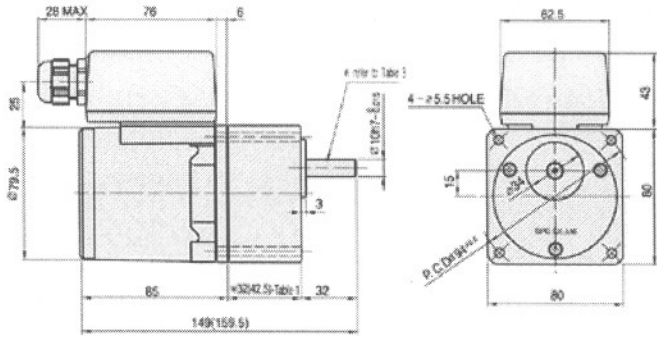
GEAR RATIO		3	3.6	5	6	7.5	9	10	12.5	15	18	20	25	30	36	40	50	60	75	90	100	120	150	180	200
MODEL	rpm	600	500	360	300	240	200	180	144	120	100	90	72	60	50	45	36	30	24	20	18	15	12	10	9
S8KA_B	kg-cm	4.4	5.2	7.3	8.7	10.9	13.1	14.6	18.2	21.9	26.2	26.3	32.9	39.4	47.3	52.6	59.4	71.3	80.0	80.0	80.0	80.0	80.0	80.0	80.0
	N-m	0.431	0.510	0.715	0.853	1.058	1.284	1.431	1.784	2.146	2.568	2.577	3.224	3.861	4.635	5.155	5.821	6.987	7.840	7.840	7.840	7.840	7.840	7.840	7.840

- The code in □ of gearhead model is for gear ratio.
- It is the permissible torque of the assembled motor and gearhead.
- The permissible torque of the assembled with motor and inter-decimal gearhead is 80kg · cm.
- ■ color indicates that the output shaft of the geared motor rotates in the same direction as the output shaft of the motor. Others indicate rotation in the opposite direction.
- Rotational speed based on synchronous speed (50Hz:1500rpm, 60Hz:1800rpm) divided by gear ratio. The actual rotation speed is less 2-20% than the displayed value according to the load.
- There is no marked the 'L' code for it is an exclusive use.

DIMENSIONS

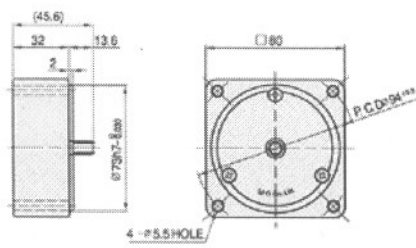
▼ GEARED MOTOR

- MOTOR MODEL : S8(I,R)25G□-T
- HEAD MODEL : S8□A3□~S8□A200□



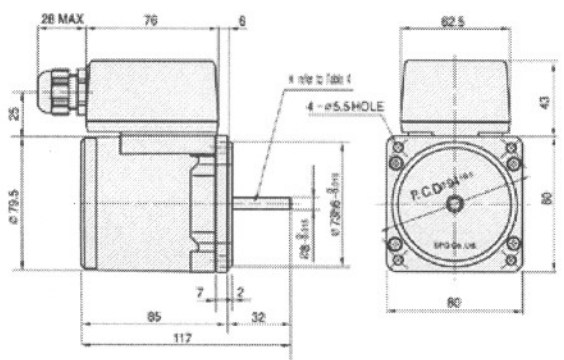
▼ INTER-DECIMAL GEAR HEAD

- MODEL : S8GX10B



▼ MOTOR

- MOTOR MODEL : S8(I,R)25□□-T



▼ WEIGHT-(Table 2)

PART	WEIGHT(kg)	
INDUCTION MOTOR	1.60	
REVERSIBLE MOTOR	1.65	
DECIMAL GEARHEAD	0.43	
GEAR HEAD	S8□A3□ ~S8□A18□	0.43
	S8□A20□ ~S8□A40□	0.57
	S8□A50□ ~S8□A200□	0.61