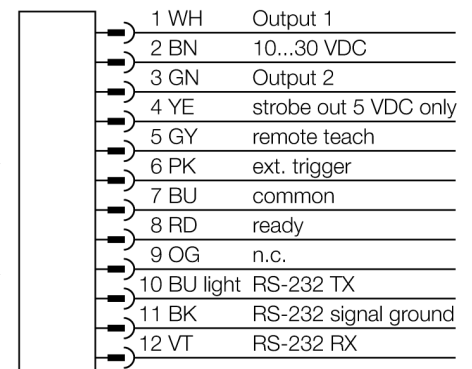




- Internal memory for 30 inspections
- 1/3" CMOS, 752x480 pixels
- Integrated ring light: blue
- Protection class IP67
- External strobe output + 5 VDC
- External trigger input
- Lens, 4.3mm, M12x1
- Ethernet IP data communication, M8 male connector, 4-pole
- 3 x parameterizable switching output
- Operating voltage: 10...30 VDC
- USB 2.0 host: M8 female connector, 4-pole
- External strobe output: +5 VDC
- External display RD35 required

| | |
|------------------------------|------------------------|
| Type code | IVUPRBB04 |
| Ident no. | 3016339 |
| Design | rectangular, iVu PLUS |
| Dimensions | 51.5 x 81.2 x 95.3 mm |
| Housing material | plastic, PBT |
| Window material | Acrylic, clear |
| Connection | male, M12 x 1, 12-wire |
| Protection class | IP67 |
| Ambient temperature | 0...+50 °C |
| Power on display | LED, green |
| Switching state | LED green |
| Error indication | LED red |
| Operating voltage | 10...30VDC |
| DC rated operational current | ≤ 850 mA |
| Short-circuit protection | yes/ cyclic |
| Reverse polarity protection | yes |
| Switch element function | programmable, PNP/NPN |
| Output current | ≥ 150 mA |
| Operating mode | BCR |
| Auflösung | 752 x 480 Pixel |
| Bildfrequenz | 100 fps |
| Light type | blue |
| Brennweite | 4.3 mm |

Wiring diagram



Functional principle

The barcode reader consists of a camera and an integrated light (not IVUPRBB version) able to scan up to 10 different barcodes and to transmit the data via Ethernet IP interface. A selection can be configured for certain barcode types such as DataMatrix (ECC 200) and a number of linear codes such as Code128, Code39, CODABAR, Interleaved 2 of 5, EAN13, EAN8, UPCE, Postnet, IMB and Pharmacode.

Sensor configuration via PC is not required! Transmission of log files and firmware updates via USB interface.



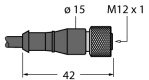
Selecting the focal length

With known object size or scan field the matching vision sensor is found simply by determining the ratio between the sensing range and the focal length. Use the graphics for selection. Here, the sensing ranges are put in relation to the field view and the lens focal length.

Accessories

| Type code | Ident no. | Description | Dimension drawing |
|-----------|-----------|---|--|
| SMBIVURAR | 3082547 | Brackets for mounting on right side |  A technical drawing of a metal bracket for right-side mounting. It features a circular base with a central hole of diameter 25 mm and a smaller hole of diameter 7 mm. The base has an outer diameter of 44 mm. A vertical arm extends from the base, with a hole of diameter 4.4 mm at the top. The total height of the bracket is 78.1 mm. Other dimensions include 16.8 mm for the top hole offset, 29.3 mm for the base thickness, and 49 mm for the base diameter. |
| SMBIVURAL | 3082546 | Brackets for mounting on left side |  A technical drawing of a metal bracket for left-side mounting, similar in design to SMBIVURAR. It features a circular base with a central hole of diameter 25 mm and a smaller hole of diameter 7 mm. The base has an outer diameter of 44 mm. A vertical arm extends from the base, with a hole of diameter 4.4 mm at the top. The total height of the bracket is 78.1 mm. Other dimensions include 16.8 mm for the top hole offset, 29.3 mm for the base thickness, and 49 mm for the base diameter. |
| SMBIVUU | 3082549 | U-bracket for base mounting (incl. SMBIVUB baseplate) |  A technical drawing of a U-shaped metal bracket. The base has a width of 61.2 mm and a height of 6.25 mm. The vertical arm has a height of 54 mm. The bracket has two holes with a diameter of 5.35 mm (8x) and one hole with a diameter of 25.4 mm. The distance between the two 5.35 mm holes is 30 mm. |
| SMBIVUB | 3082548 | Baseplate to extend the installation |  A technical drawing of a metal baseplate. It has a total width of 56.8 mm and a total height of 23.8 mm. The baseplate has two holes with a diameter of 5.8 mm. The distance between the two holes is 29 mm. The baseplate has a 1/4-20 UNC thread and two M5 x 0.8 (2x) holes. |

Wiring accessories

| Type code | Ident no. | Description | Dimension drawing |
|-----------|-----------|--|---|
| IVUC-1206 | 3014407 | Power supply, M12x1 female, 12-pole, 1.83m |  A technical drawing of a power supply connector. It has a total length of 42 mm. The connector has a diameter of 15 mm and an M12 x 1 thread. |

Wiring accessories

| Type code | Ident no. | Description | Dimension drawing |
|----------------|-----------|---|-------------------|
| IVUC-E-406 | 3013892 | Ethernet connection cable, M8x1 on RJ45, 4-pole, 2m | |
| PSG-4M-401-USB | 3011336 | USB adapter cable, male M12x1, 4-pole, 0.3m | |
| IVURDM-QD-803 | 3028673 | Remote Display, M12 x 1, 8-pin, 0.91 m | |

Function accessories

| Type code | Ident no. | Description | Dimension drawing |
|-----------|-----------|-------------|-------------------|
| RDM35 | 3029512 | | |